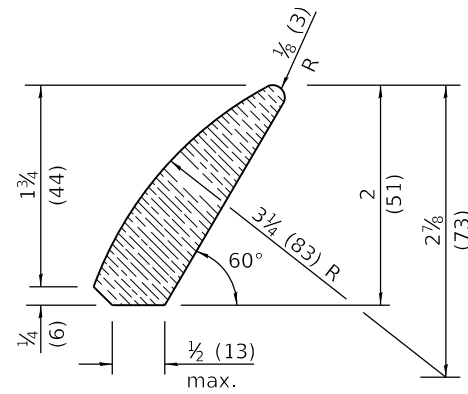
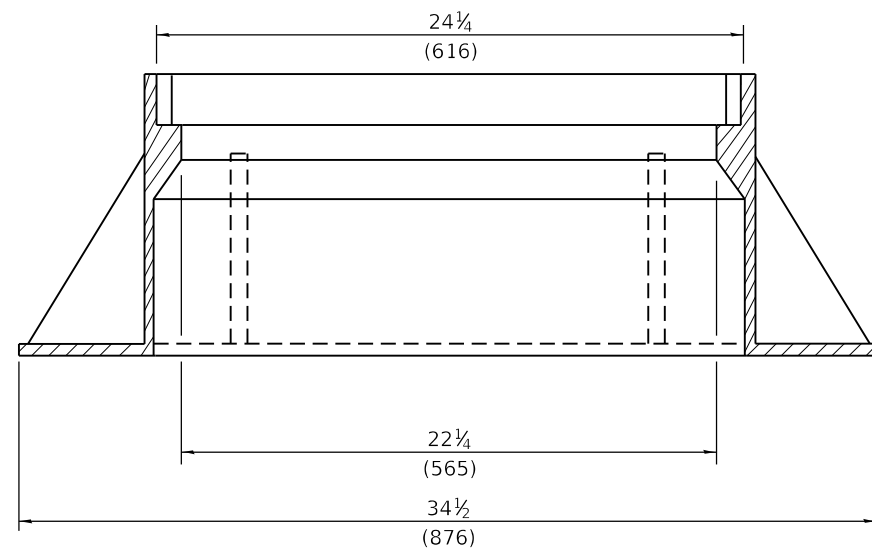


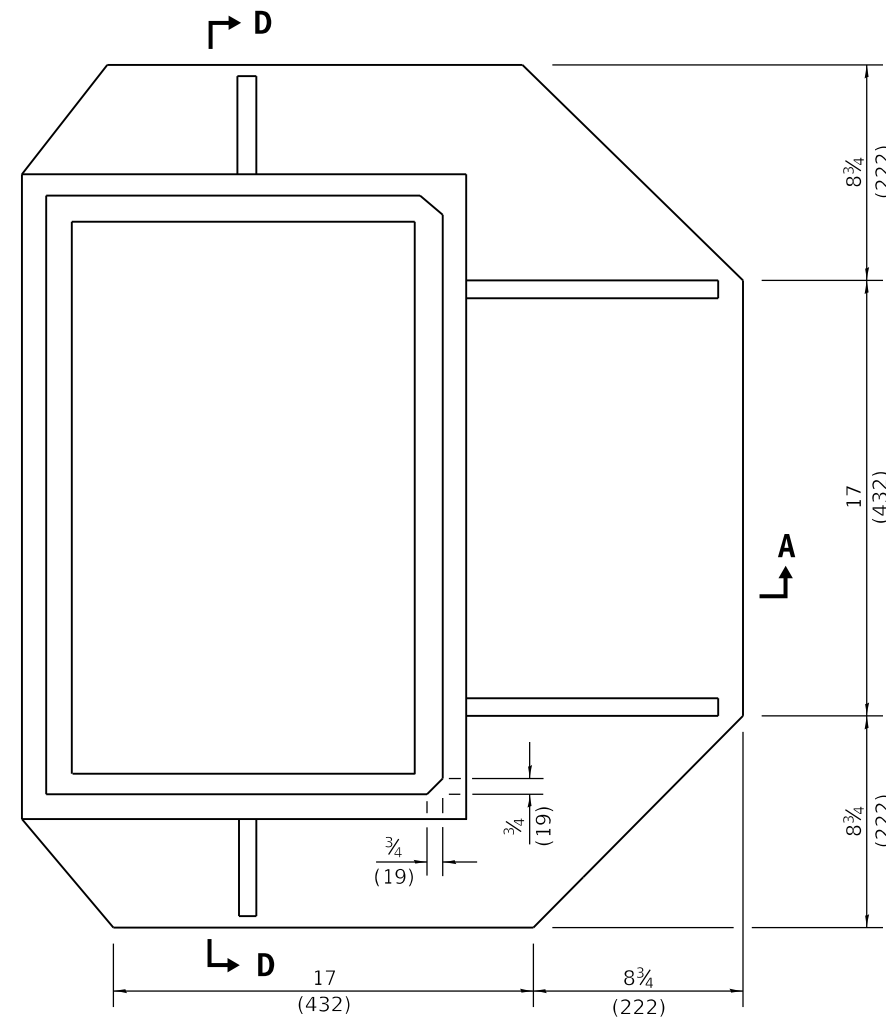
DETAIL A



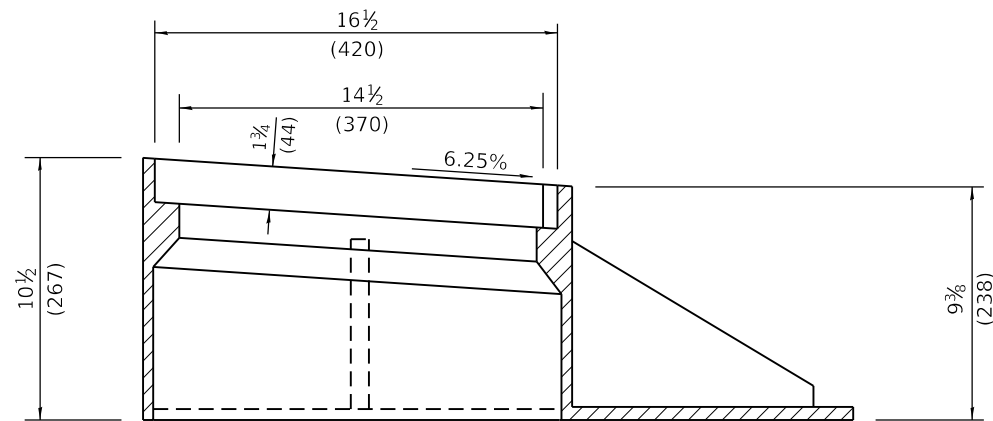
DETAIL B



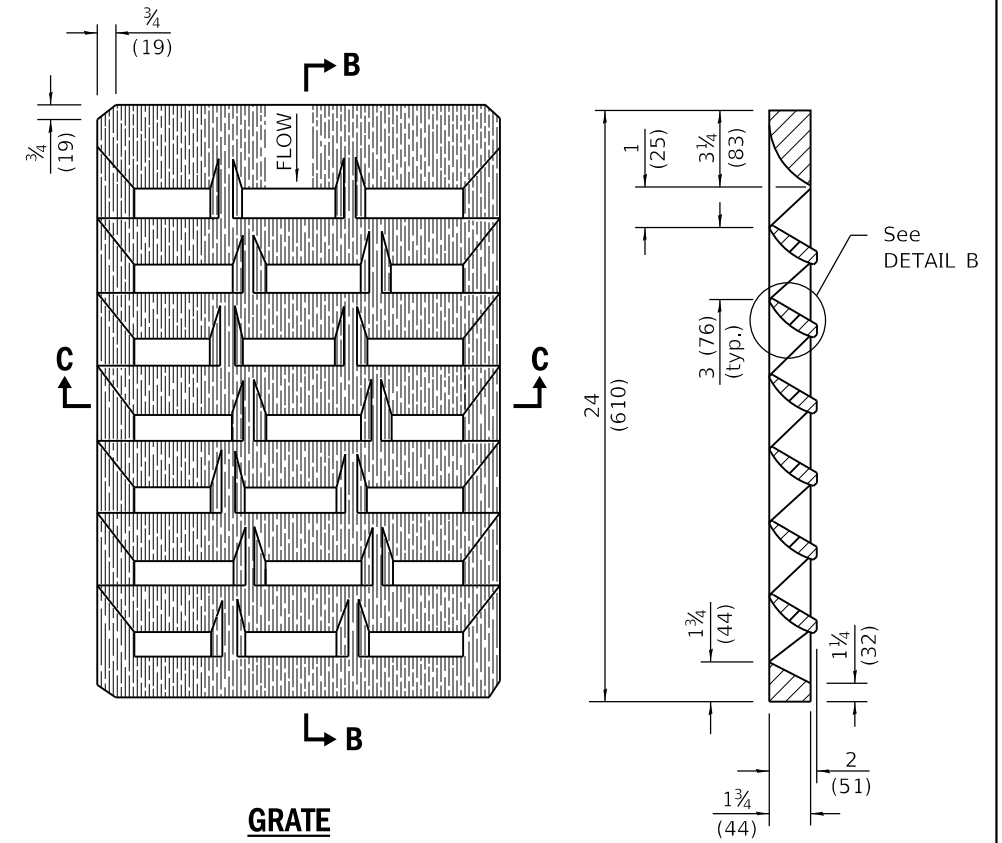
SECTION D-D



PLAN - FRAME

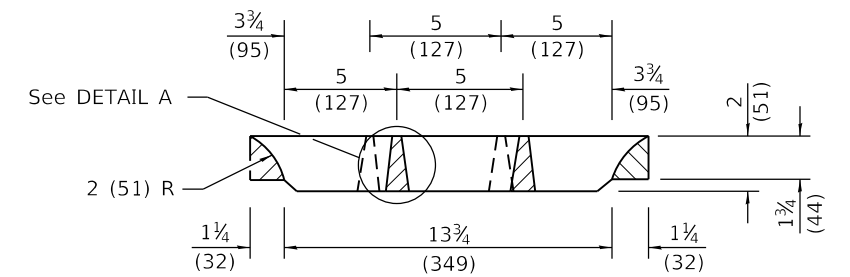


SECTION A-A



GRATE

SECTION B-B



SECTION C-C

All dimensions are in inches (millimeters) unless otherwise shown.

Illinois Department of Transportation

PASSED January 1, 2022

Michael Beard
ENGINEER OF POLICY AND PROCEDURES

APPROVED January 1, 2022

John C. ...
ENGINEER OF DESIGN AND ENVIRONMENT

ISSUED 1-1-22

DATE	REVISIONS
1-1-22	Removed slots in frame which held the "safety bars".
1-1-21	Removed "safety bars" from frame.

**FRAME AND GRATE
TYPE 23**

STANDARD 604086-05