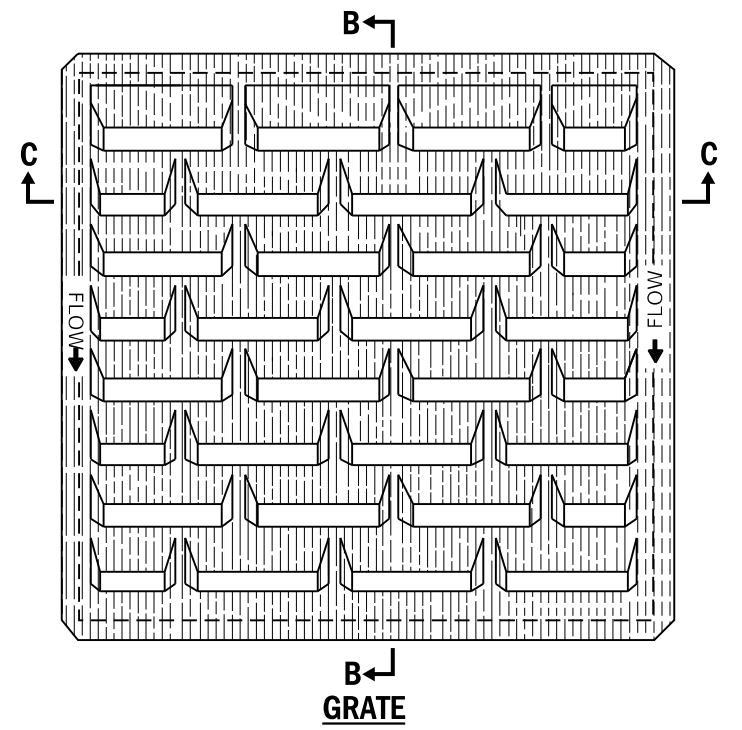
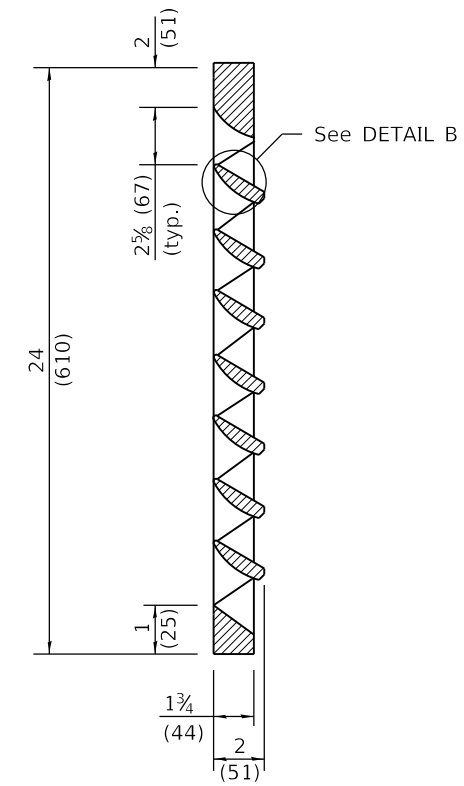


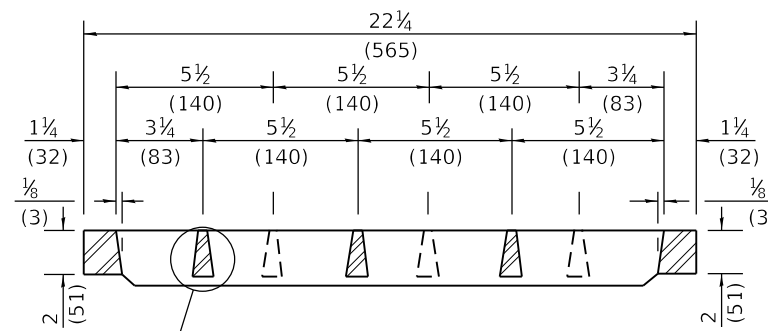
PLAN - FRAME



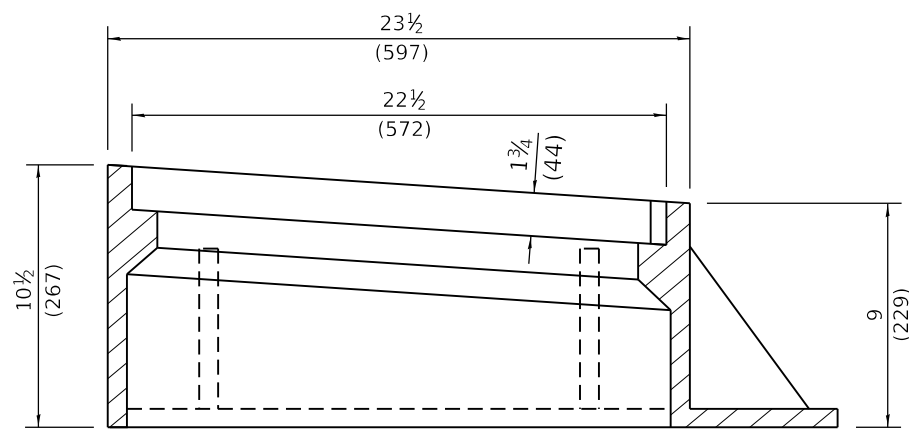
GRATE



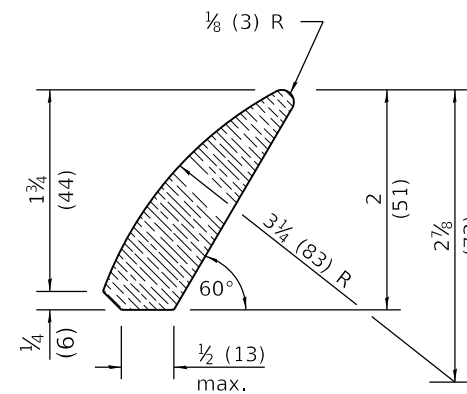
SECTION B-B



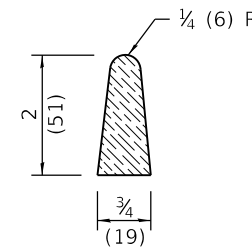
SECTION C-C



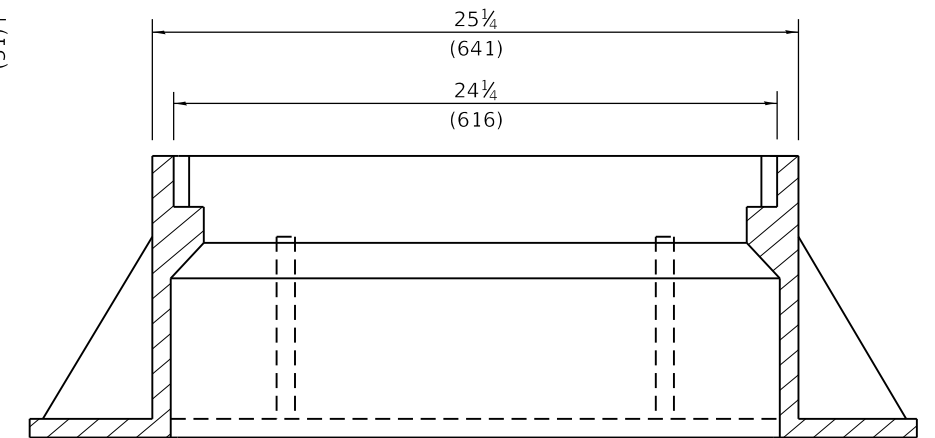
SECTION A-A



DETAIL B



DETAIL A



SECTION D-D

All dimensions are in inches (millimeters) unless otherwise shown.

Illinois Department of Transportation

PASSED January 1, 2022
Michael Beard
 ENGINEER OF POLICY AND PROCEDURES

APPROVED January 1, 2022
John C. ...
 ENGINEER OF DESIGN AND ENVIRONMENT

ISSUED 1-1-97

DATE	REVISIONS
1-1-22	Removed slots in frame which held the "safety bar".
1-1-21	Removed "safety bar" from frame.

**FRAME AND GRATE
TYPE 24**

STANDARD 604091-05