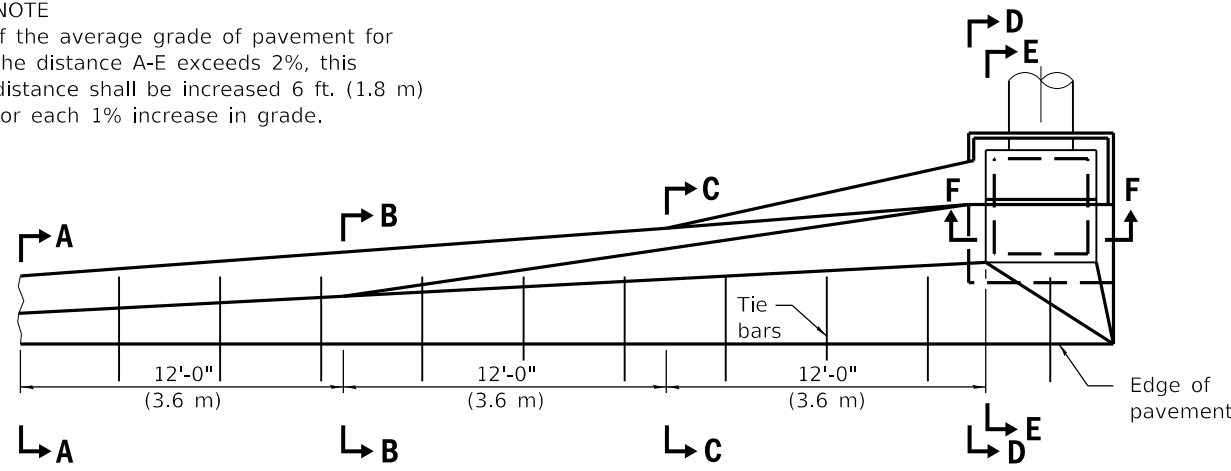
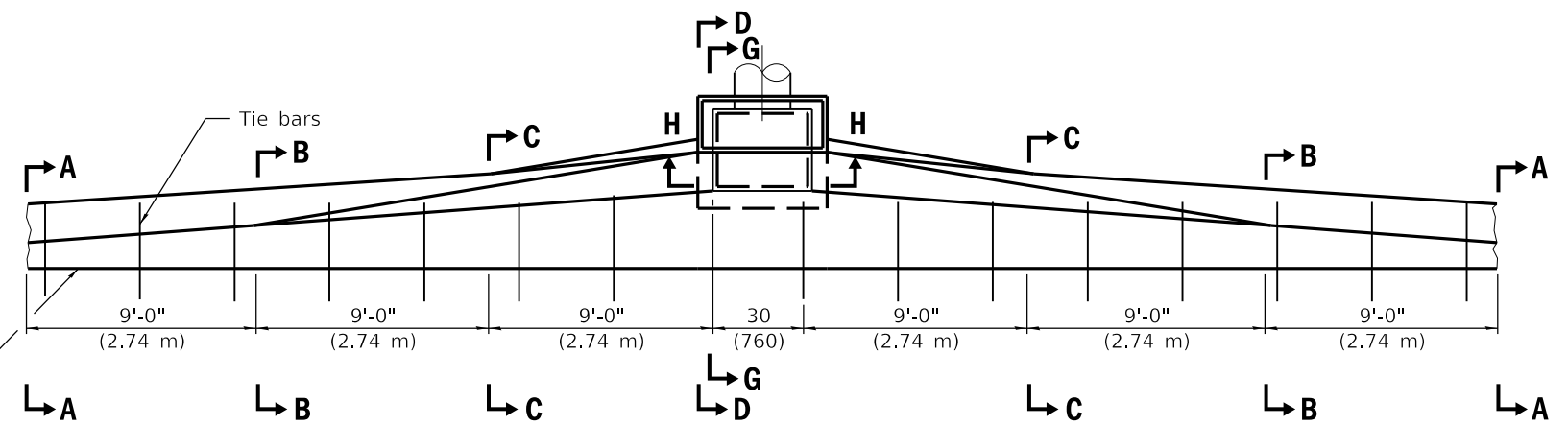


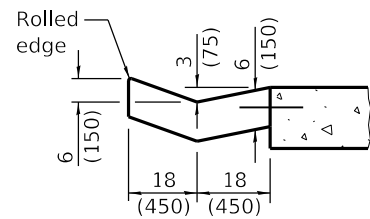
NOTE
If the average grade of pavement for the distance A-E exceeds 2%, this distance shall be increased 6 ft. (1.8 m) for each 1% increase in grade.



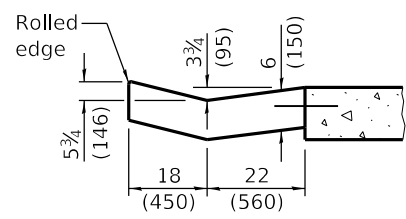
PLAN - SINGLE OUTLET



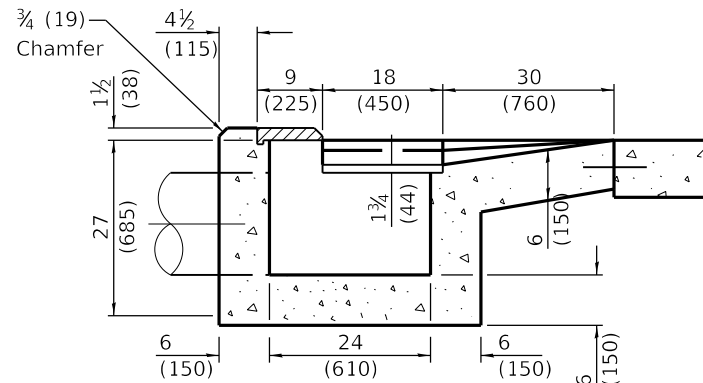
PLAN - DOUBLE OUTLET



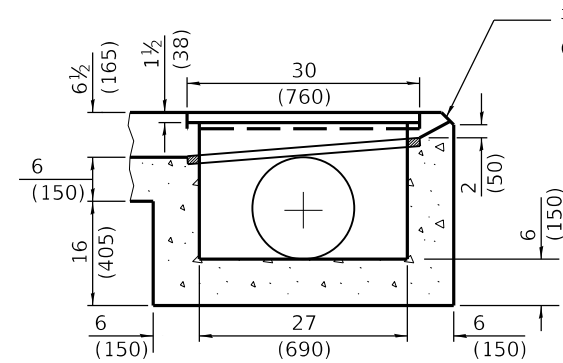
SECTION A-A



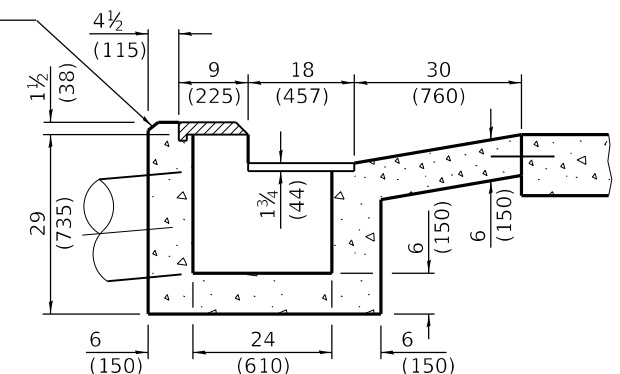
SECTION B-B



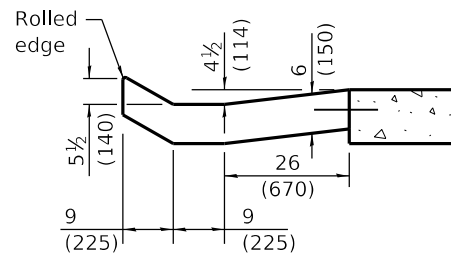
SECTION E-E



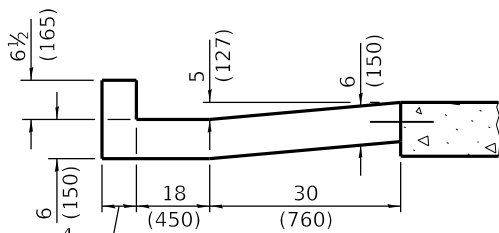
SECTION F-F



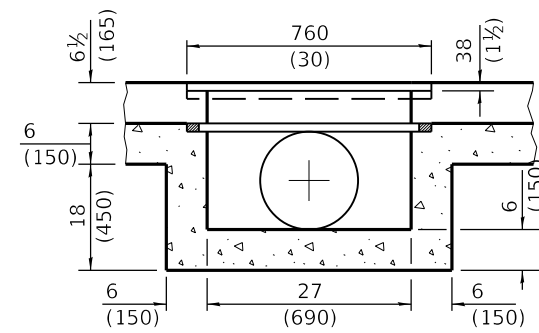
SECTION G-G



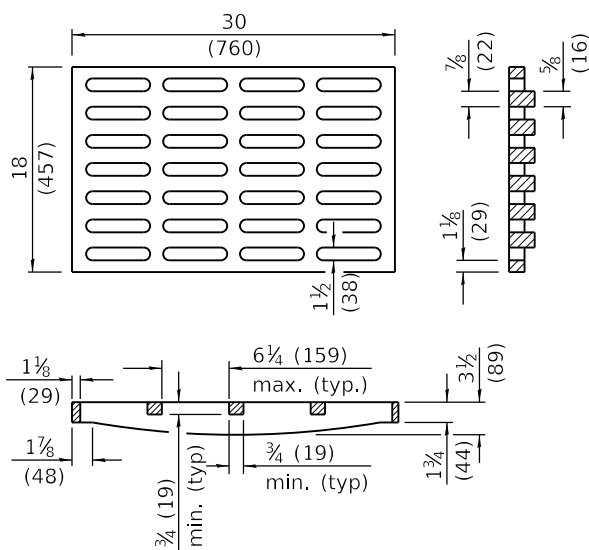
SECTION C-C



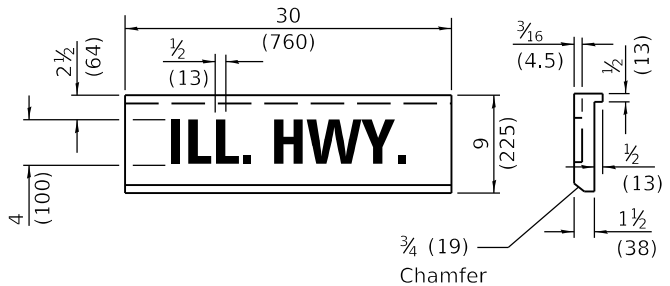
SECTION D-D



SECTION H-H



GRATE AND COVER TYPE 2A



ILL. HWY.

QUANTITIES

Material	Single	Double
Concrete - cu. yd. (m ³)	3.07 (2.35)	4.33 (3.31)
Cast Iron Grate - Ea.	1	1
Cast Iron Cover - Ea.	1	1
Pipe Drain - Dia. in. (mm)	15 (375)	18 (450)

GENERAL NOTES

The gutter outlet shall be tied to the pavement in accordance with details for longitudinal construction joint shown on Standard 420001.

All dimensions are in inches (millimeters) unless otherwise shown.

DATE	REVISIONS
1-1-09	Switched units to English (metric).
1-1-07	Removed weight of grate and cover.

OUTLETS TYPE 2 FOR TYPE A GUTTER

STANDARD 606111-03

Illinois Department of Transportation

PASSED January 1, 2009

ENGINEER OF POLICY AND PROCEDURES

APPROVED January 1, 2009

ENGINEER OF DESIGN AND ENVIRONMENT

ISSUED 1-1-09