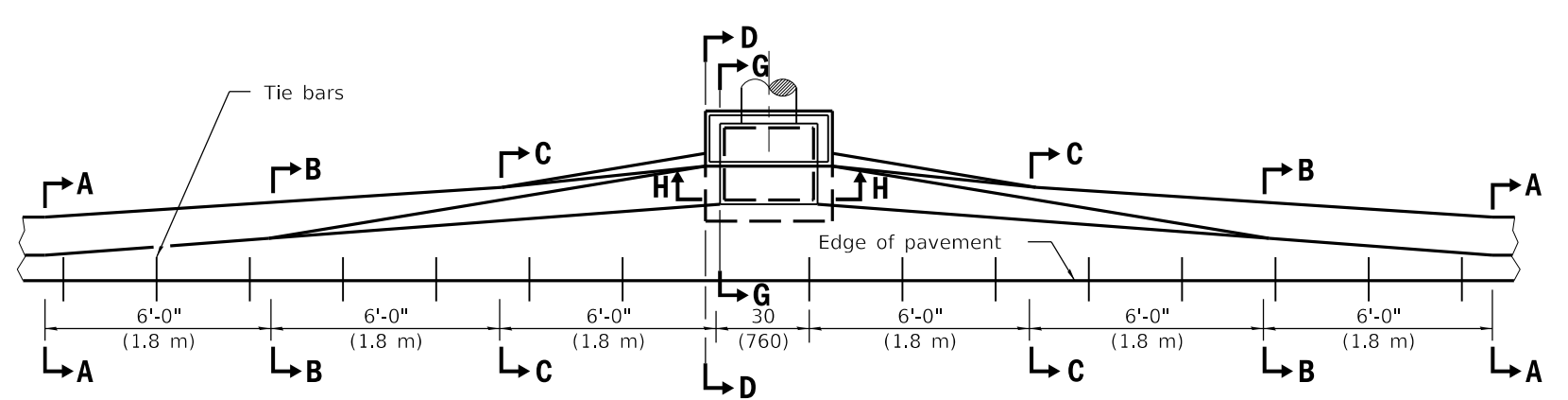
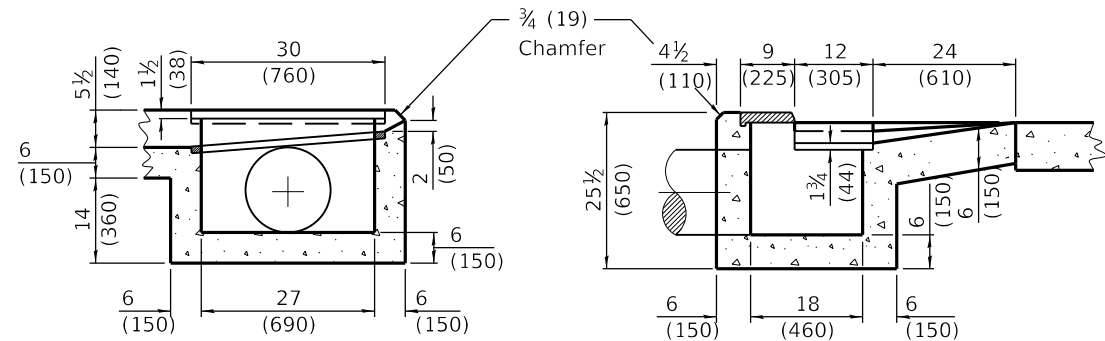


**PLAN - SINGLE OUTLET**

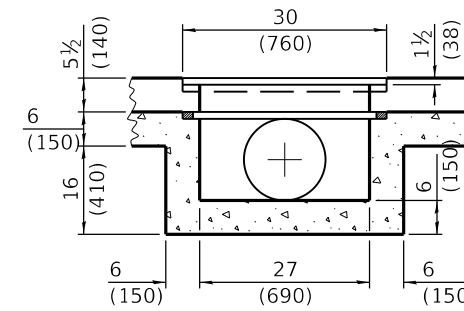


**PLAN - DOUBLE OUTLET**

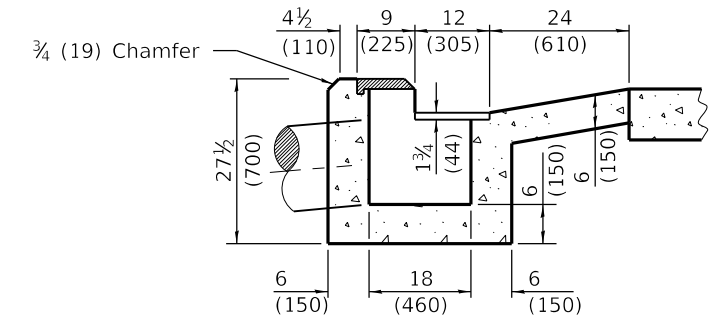


**SECTION F-F**

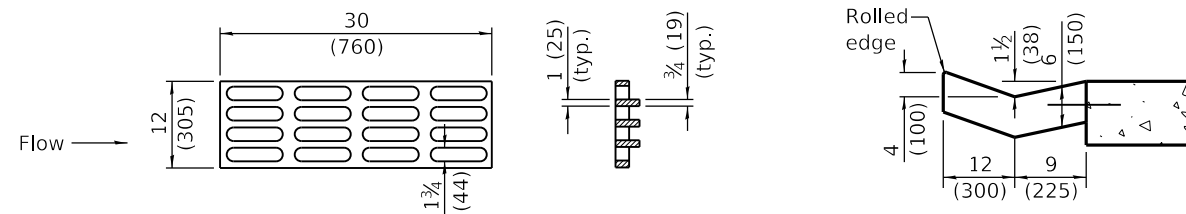
**SECTION E-E**



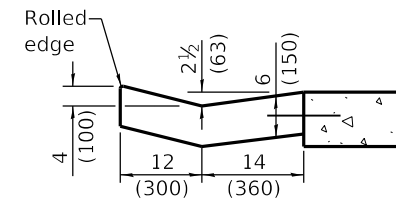
**SECTION H-H**



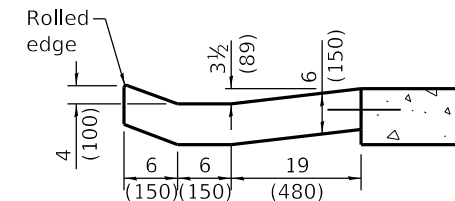
**SECTION G-G**



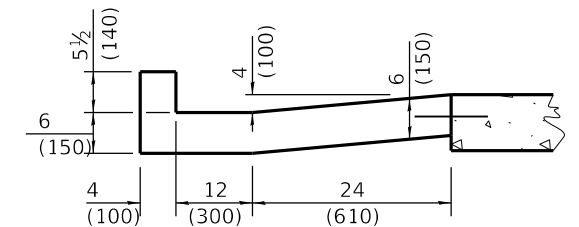
**SECTION A-A**



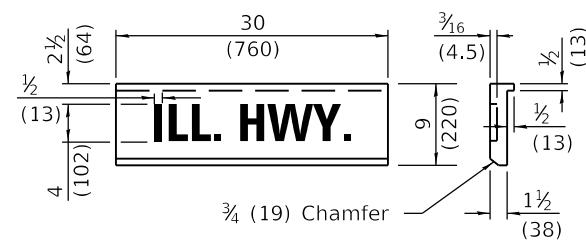
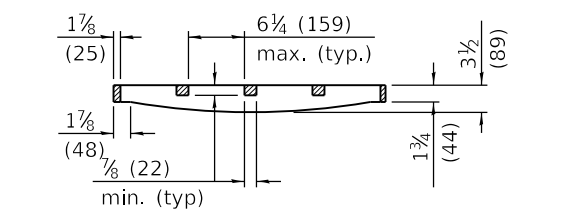
**SECTION B-B**



**SECTION C-C**



**SECTION D-D**



**GRATE AND COVER TYPE 2B**

**QUANTITIES**

Material	Single	Double
Concrete - cu. yd. (m <sup>3</sup> )	1.62 (1.24)	2.18 (1.67)
Cast Iron Grate - Ea.	1	1
Cast Iron Cover - Ea.	1	1
Pipe Drain - Dia. in. (mm)	12 (300)	15 (375)

**GENERAL NOTES**

If the average grade of pavement for the distance A-E exceeds 2 percent, this distance shall be increased 6 ft. (1.8 m) for each 1 percent increase in grade.

The gutter outlet shall be tied to the pavement in accordance with details for longitudinal construction joint shown on Standard 420001.

All dimensions are in inches (millimeters) unless otherwise shown.

DATE	REVISIONS
1-1-18	Revised tie bar notes to be consistent with other gutter Highway Standards.
1-1-09	Switched units to English (metric).

**OUTLETS TYPE 2 FOR TYPE B GUTTER**

**STANDARD 606211-04**

Illinois Department of Transportation

PASSED January 1, 2018  
*Michael Beard*  
 ENGINEER OF POLICY AND PROCEDURES

APPROVED January 1, 2018  
*Marcus M. Beck*  
 ENGINEER OF DESIGN AND ENVIRONMENT

ISSUED 1-1-18