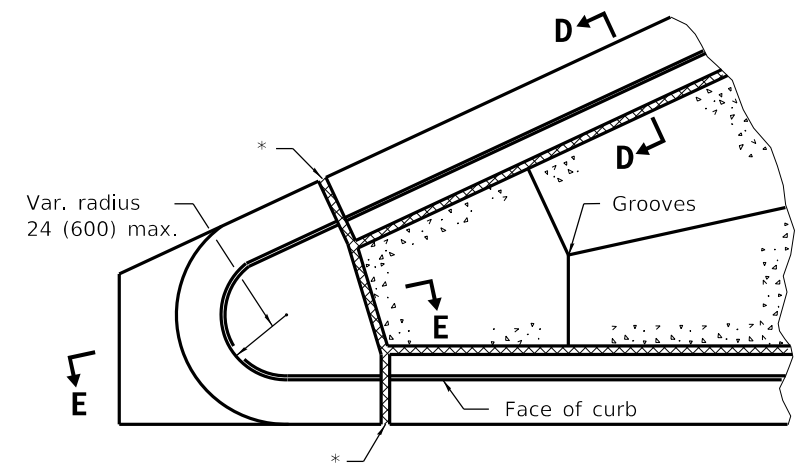
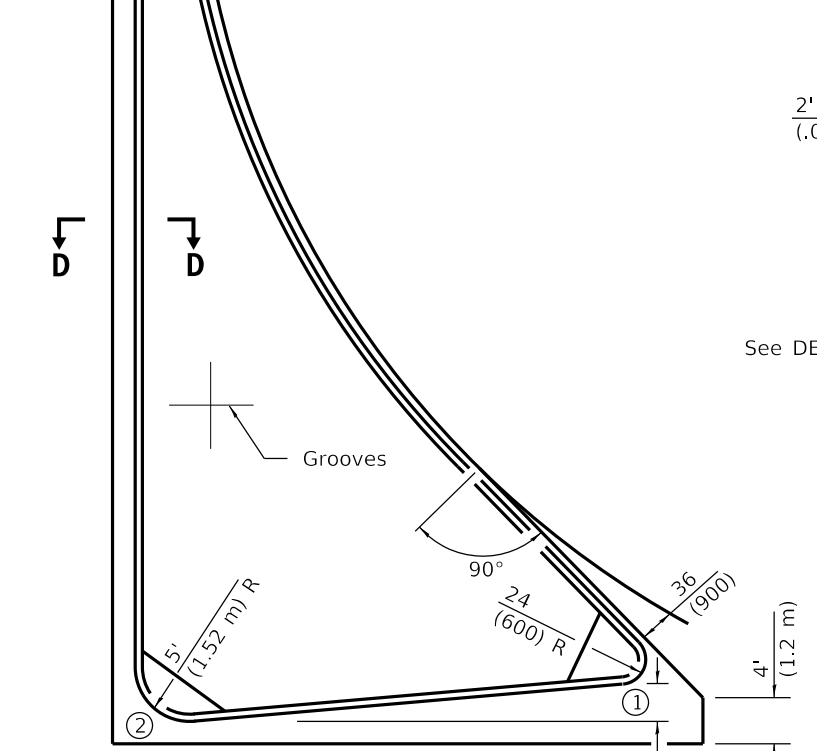


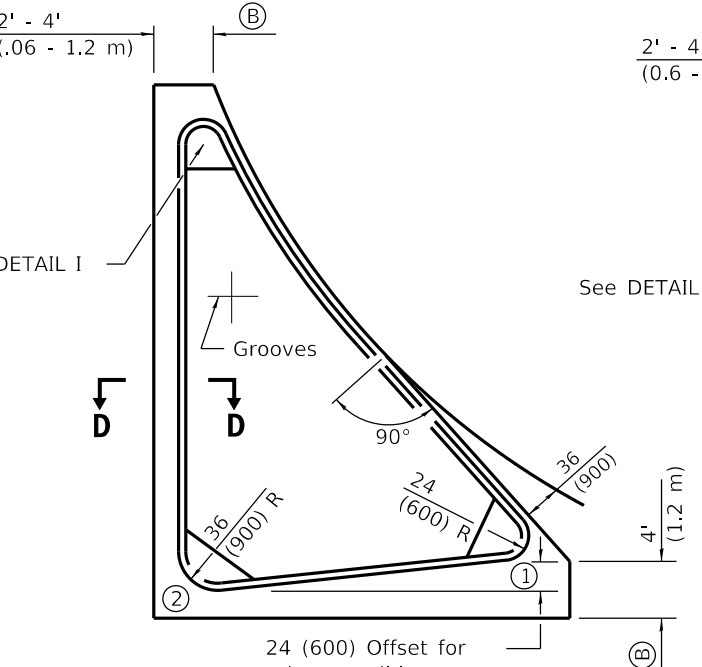
**TYPICAL PLAN OF MEDIAN ISLAND**  
(SEE SHEET 2 FOR DETAILS OF RAMPED NOSES)



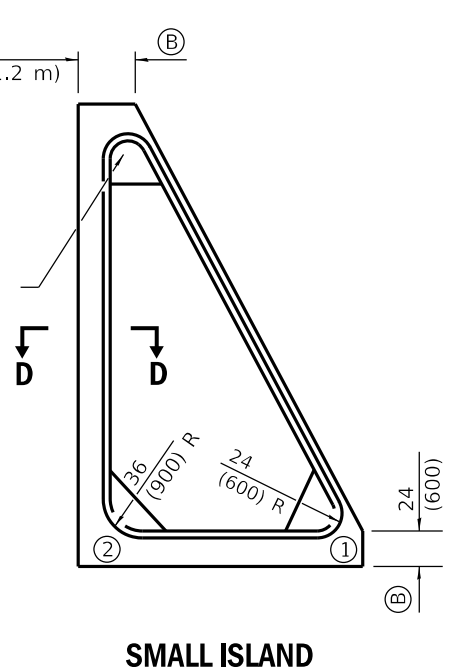
**DETAIL I**



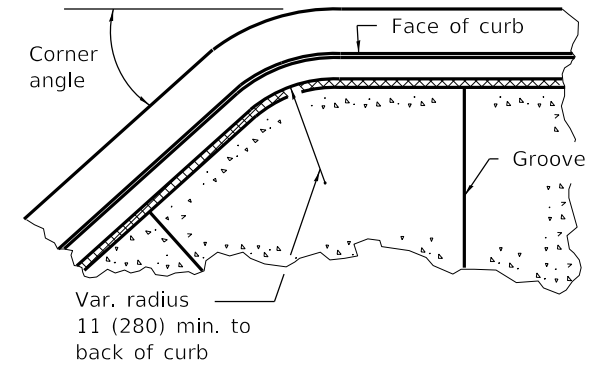
**LARGE ISLAND**  
(FREE FLOW DESIGN)  
36 (900) Offset for urban conditions



**INTERMEDIATE ISLAND**  
(FOR RIGHT TURN LANE DESIGN)  
24 (600) Offset for urban conditions



**SMALL ISLAND**



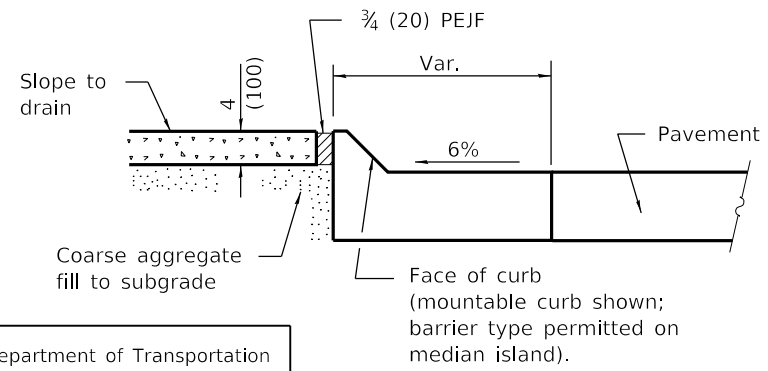
**DETAIL II**

Typical detail when corner angle is less than 90° and for other corners with radius greater than 24 (600).

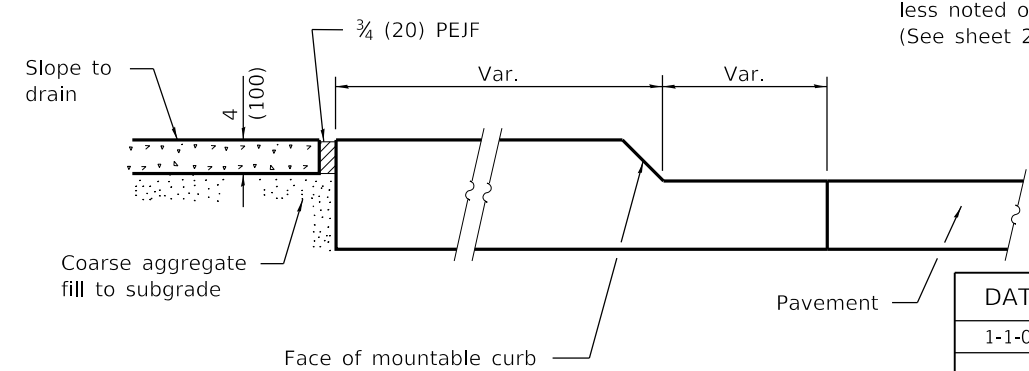
**TYPICAL PLANS OF CORNER ISLANDS**  
(SEE SHEET 2 FOR DETAILS OF RAMPED NOSES)

NOTE:  
The blockouts (B) for the islands shall be extended so that the termination will line up with proposed or existing pavement joint.

Noses (1) and (2) shall be ramped unless noted otherwise on the plans. (See sheet 2 for length)



**SECTION D-D**



**SECTION E-E**

**GENERAL NOTES**

- PEJF = Preformed expansion joint filler.
- Median layout and radii shall be as shown on the plans.
- Keyed longitudinal construction joints shall be constructed without tie bars.
- See Standard 420001 and 606001 for details not shown.
- \* 3/4 (20) PEJF conforming to the full cross section of the curb, gutter and median surface.
- X = PCC base course plus HMA thickness.
- t = Pavement or pcc base course thickness.
- All dimensions are in inches (millimeters) unless otherwise shown.

DATE	REVISIONS
1-1-09	Switched units to English (metric).
1-1-07	Switched to Hot-Mix Asphalt (HMA) terminology.

**PC CONCRETE ISLANDS AND MEDIANS**

(Sheet 1 of 2)

**STANDARD 606301-04**

Illinois Department of Transportation

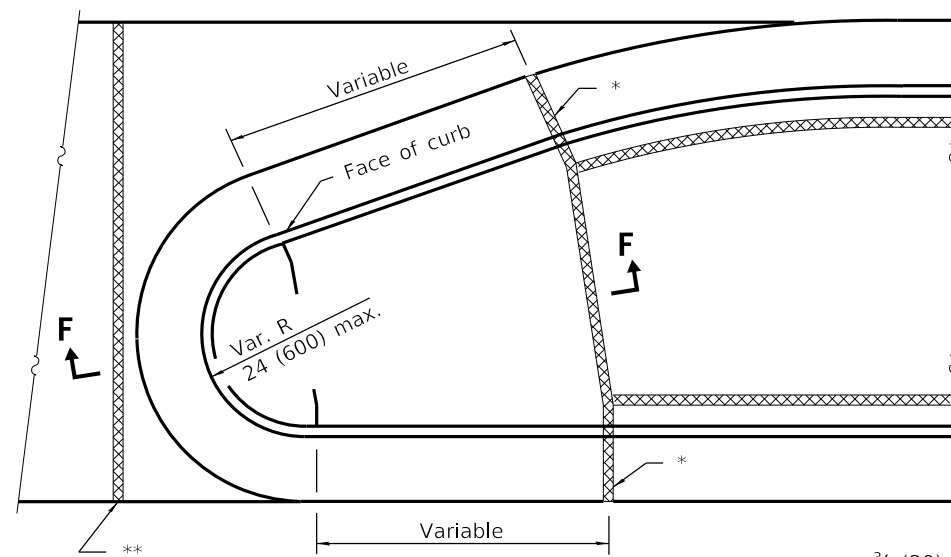
PASSED January 1, 2009

ENGINEER OF POLICY AND PROCEDURES

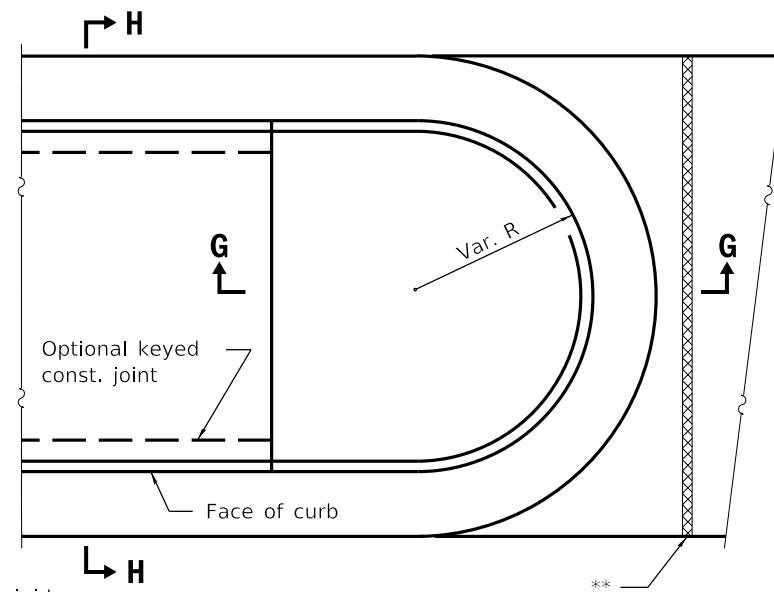
APPROVED January 1, 2009

ENGINEER OF DESIGN AND ENVIRONMENT

ISSUED 1-1-97



**TYPE P MEDIAN SURFACE**



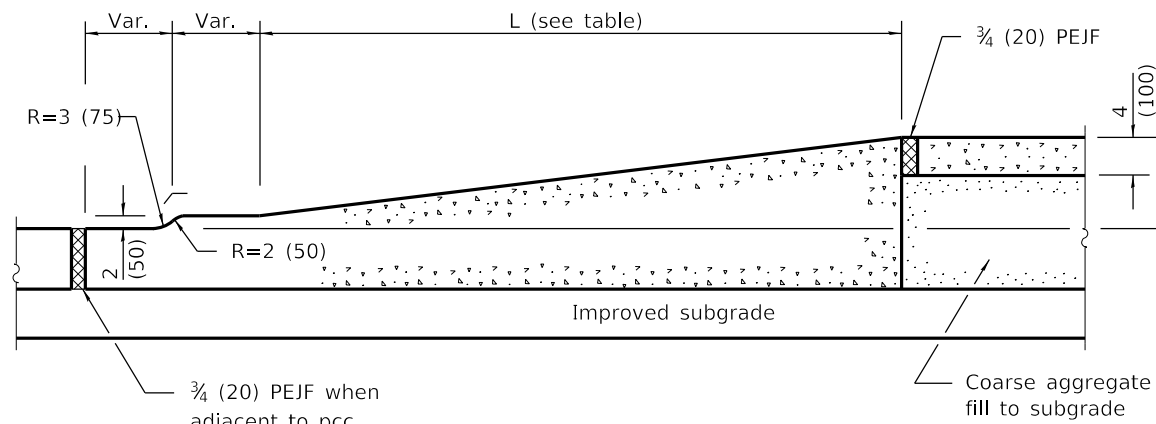
**SOLID MEDIAN**

TABLE OF DIMENSIONS					
TYPE SB MEDIANS					
TYPE	A	B	C	D	R <sub>1</sub>
SB-6.06	6	1	6	6	1
(SB-15.15)	(150)	(25)	(150)	(150)	(25)
SB-6.12	12	1	6	6	1
(SB-15.30)	(300)	(25)	(150)	(150)	(25)
SB-6.18	18	1	6	6	1
(SB-15.45)	(450)	(25)	(150)	(150)	(25)
SB-6.24	24	1	6	6	1
(SB-15.60)	(600)	(25)	(150)	(150)	(25)
SB-9.06	6	2	5	9	1
(SB-22.15)	(150)	(50)	(125)	(225)	(25)
SB-9.12	12	2	5	9	1
(SB-22.30)	(300)	(50)	(125)	(225)	(25)
SB-9.18	18	2	5	9	1
(SB-22.45)	(450)	(50)	(125)	(225)	(25)
SB-9.24	24	2	5	9	1
(SB-22.60)	(600)	(50)	(125)	(225)	(25)

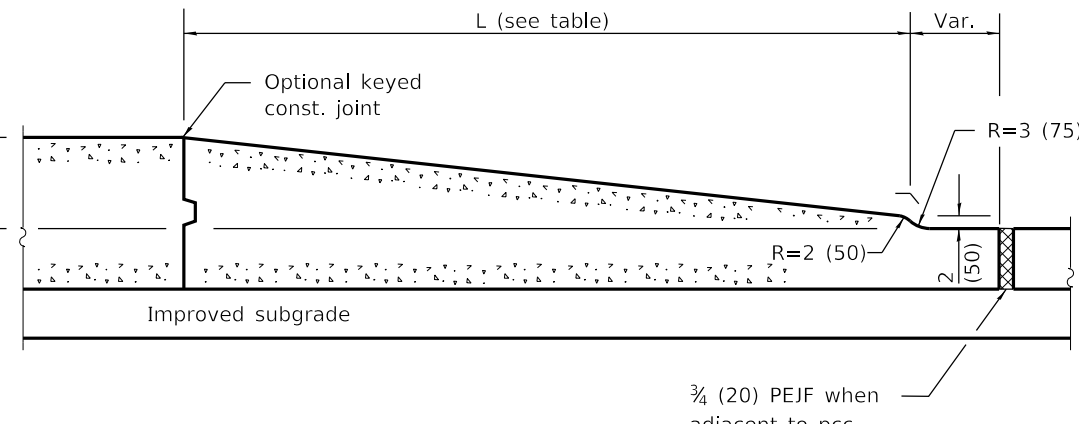
TABLE OF DIMENSIONS					
TYPE M AND SM MEDIANS					
TYPE	A	B	C	D	R <sub>1</sub>
M-2.06	6	2	4	2	2
(M-5.15)	(150)	(50)	(100)	(50)	(50)
M-2.12	12	2	4	2	2
(M-5.30)	(300)	(50)	(100)	(50)	(50)
SM-4.06	6	4	3	4	3
(SM-10.15)	(150)	(100)	(75)	(100)	(75)
SM-4.12	12	4	3	4	3
(SM-10.30)	(300)	(100)	(75)	(100)	(75)
SM-4.18	18	4	3	4	3
(SM-10.45)	(450)	(100)	(75)	(100)	(75)
SM-4.24	24	4	3	4	3
(SM-10.60)	(600)	(100)	(75)	(100)	(75)
SM-6.06	6	6	2	6	2
(SM-15.15)	(150)	(150)	(50)	(150)	(50)
SM-6.12	12	6	2	6	2
(SM-15.30)	(300)	(150)	(50)	(150)	(50)
SM-6.18	18	6	2	6	2
(SM-15.45)	(450)	(150)	(50)	(150)	(50)
SM-6.24	24	6	2	6	2
(SM-15.60)	(600)	(150)	(50)	(150)	(50)

\*\* 3/4 (20) PEJF between rigid pavement and median end. Align with joint in adjacent pavement.

**PLAN**  
(RAMPED NOSES)



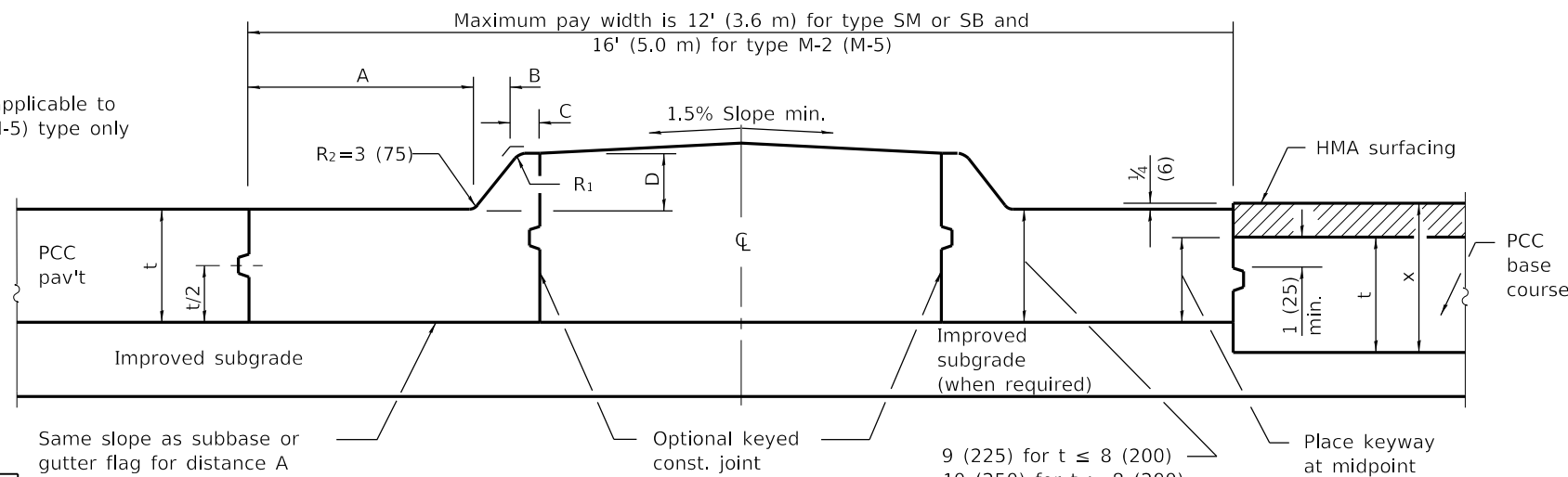
**SECTION F-F**



**SECTION G-G**

TABLE OF RAMPED NOSE LENGTHS	
TYPE OF NOSE	L
Median	6' (1.8 m)
Small Island	24 (600)
Intermediate Island	4' (1.2 m)
Large Island	6' (1.8 m)

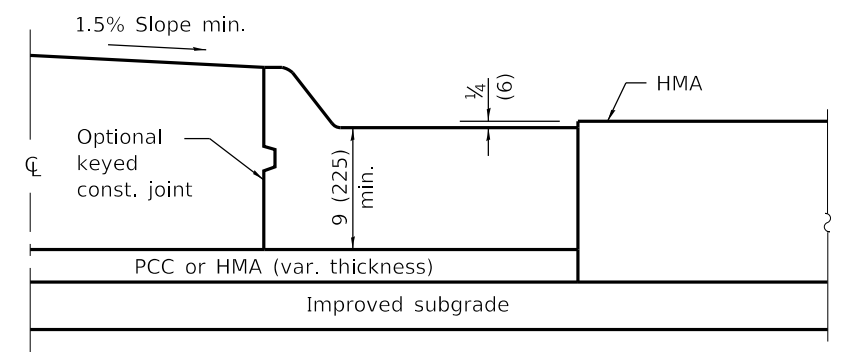
NOTE  
R<sub>2</sub> is applicable to M-2 (M-5) type only



**HALF SECTION FOR PCC PAVEMENT**

**HALF SECTION FOR PCC BASE COURSE**

**SECTION H-H**  
(TYPE SM, SB & M-5 (M-2) MEDIANS)



**HALF SECTION FOR FLEXIBLE PAVEMENT**

Illinois Department of Transportation

PASSED January 1, 2009

ENGINEER OF POLICY AND PROCEDURES

APPROVED January 1, 2009

ENGINEER OF DESIGN AND ENVIRONMENT

ISSUED 1-1-97

**PC CONCRETE ISLANDS AND MEDIANS**

(Sheet 2 of 2)

**STANDARD 606301-04**