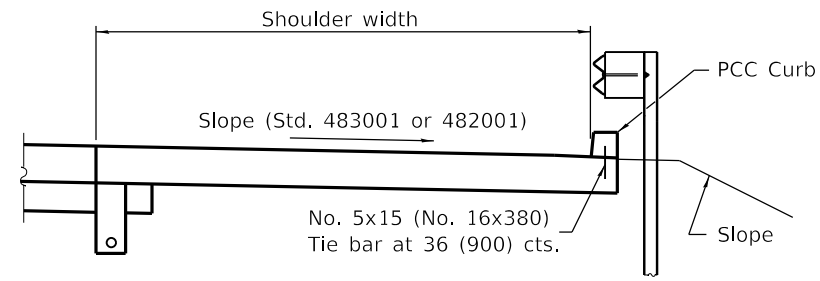


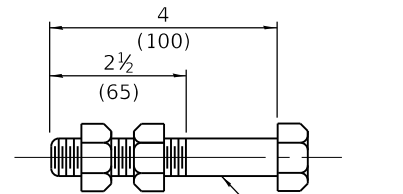
① Joints in prolongation with existing joints in pavements.

PLAN

No. 6x30 (No. 19x750) Tie bars or expansion anchor ties at 36 (900) cts.

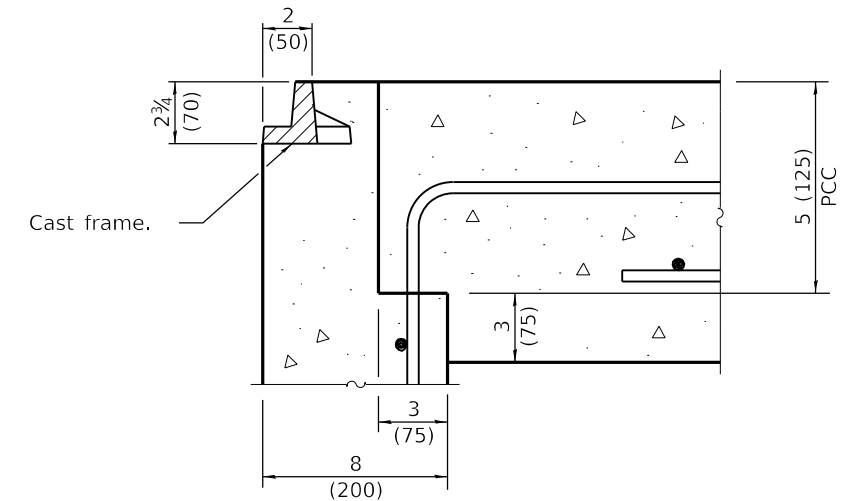


SECTION C-C

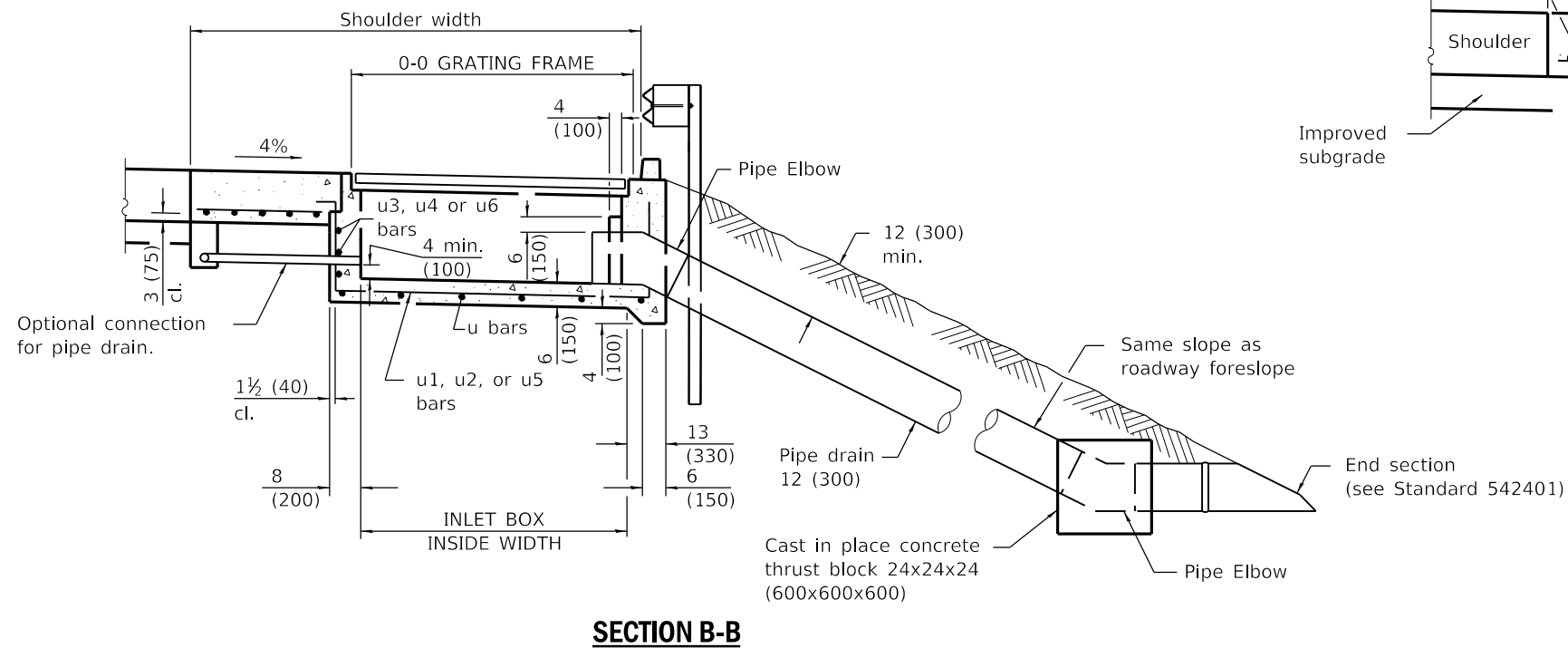


ANCHOR BOLT

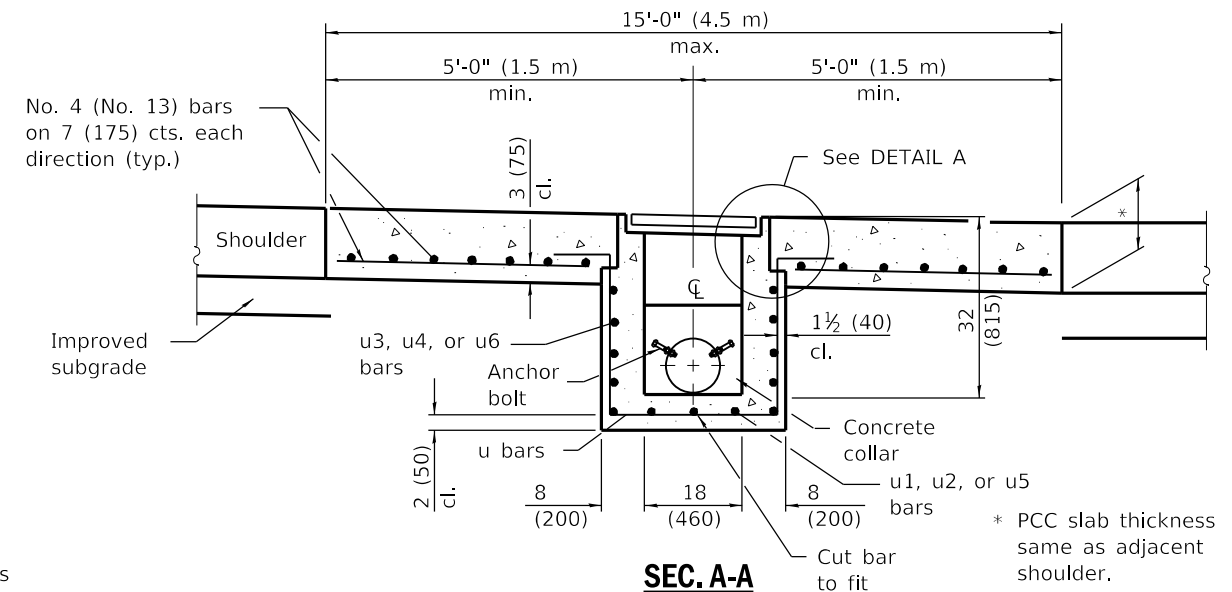
(Used to tie pipe to concrete collar)



DETAIL A



SECTION B-B



SEC. A-A

GENERAL NOTES

See Standard 420001 for joint details not shown.

See Standard 630001 for details of guardrail not shown.

All exposed edges of the inlet, except the upper perimeter, shall be beveled 3/4 (20).

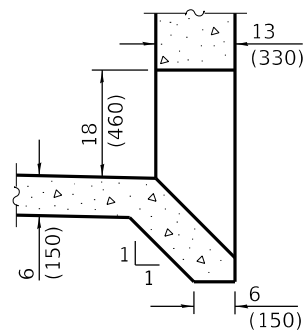
For placement of drainage elements on existing construction with existing rigid pavement, substitute expansion anchor ties for tie bars. For nonrigid pavements or monolithic construction of PCC slab and shoulder, omit tie bars.

All dimensions are in inches (millimeters) unless otherwise shown.

SHOULDER INLET WITH CURB

(Sheet 1 of 2)

STANDARD 610001-09



BOX OUTLET WHEN PRECAST

| INLET TYPE | SHOULDER WIDTH | O-O GRATING FRAME | INLET BOX INSIDE WIDTH | INLET BOX INSIDE LENGTH |
|------------|--------------------|-------------------|------------------------|-------------------------|
| Type E | 8' (2.4 m) | 4'-4" (1.325 m) | 3'-11" (1.195 m) | 18 (460) |
| Type F | 10' (3.0 m) | 6'-5" (1.960 m) | 6'-0" (1.830 m) | 18 (460) |
| Type G | 5' (1.5 m) or less | 27 (690) | 22 (560) | 18 (460) |

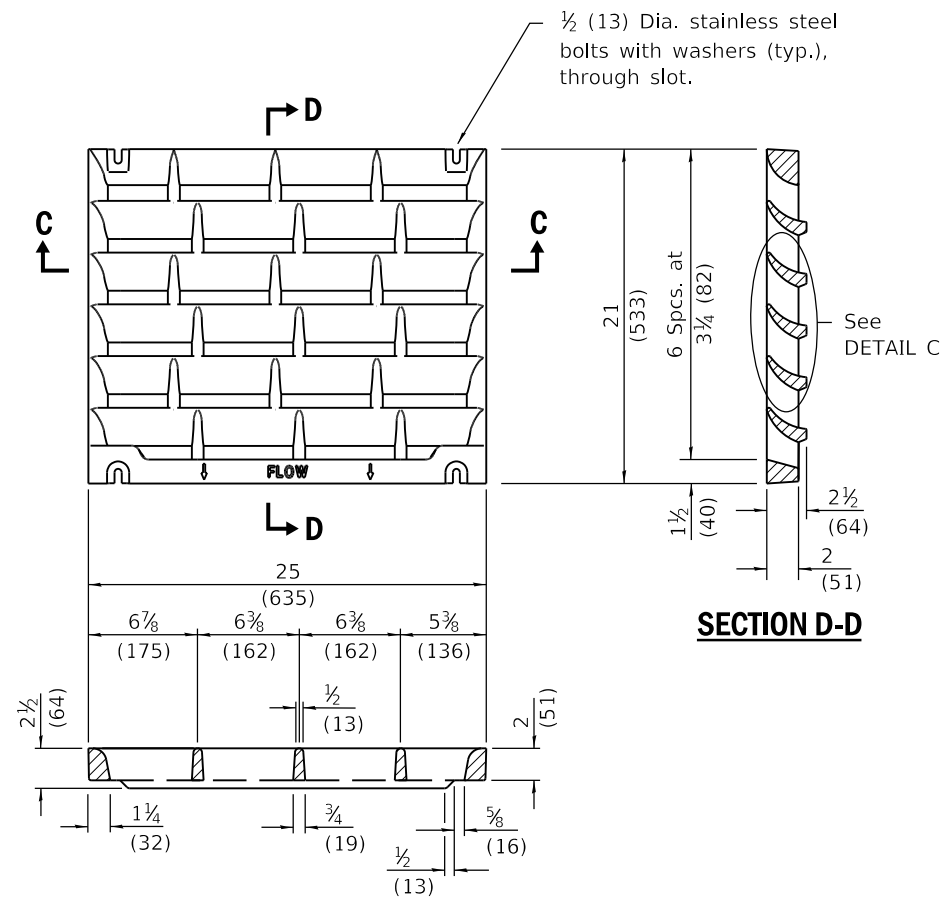
| DATE | REVISIONS |
|--------|--|
| 1-1-21 | Revised Section B-B, precast box outlet, anchor bolts, rebar and curb details. Added pipe elbows and WWR note. |
| 1-1-18 | Changed tie bar spacing to 36 (900) cts. |

Illinois Department of Transportation

PASSED January 1, 2021
Michael Bond
 ENGINEER OF POLICY AND PROCEDURES

APPROVED January 1, 2021
J. E. ...
 ENGINEER OF DESIGN AND ENVIRONMENT

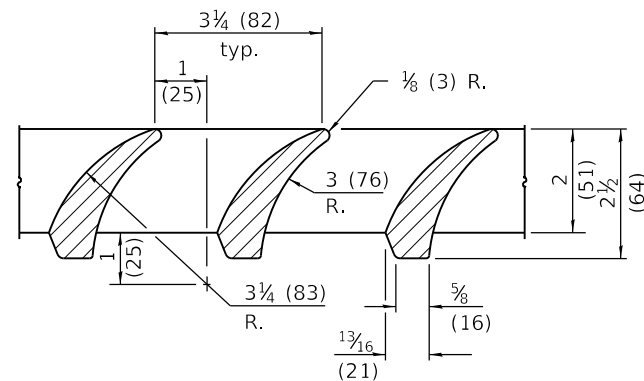
ISSUED 1-1-97



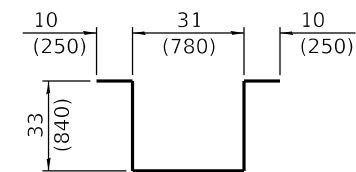
SECTION C-C

DETAIL OF CAST GRATE

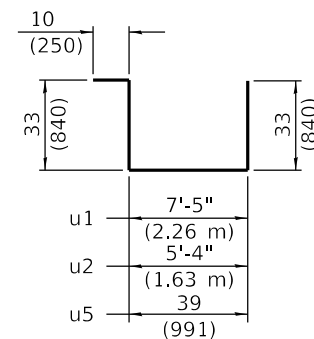
Type G requires 1 grate
 Type E requires 2 grates
 Type F requires 3 grates



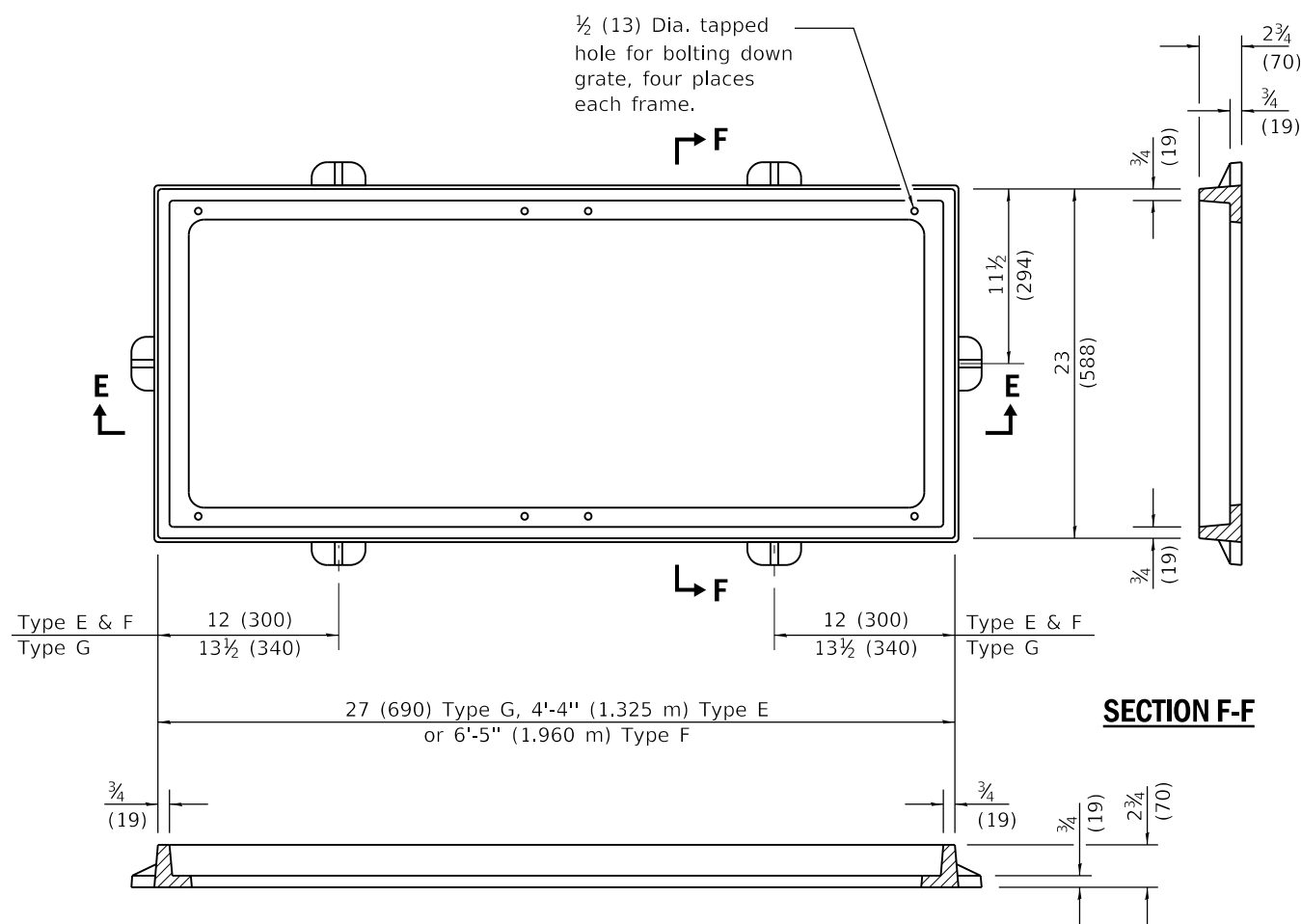
DETAIL C



BAR u



BARS u1, u2, & u5

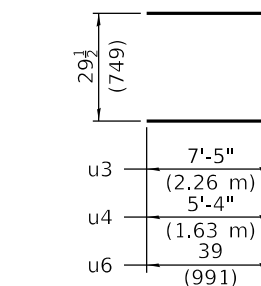


SECTION E-E

SECTION F-F

DETAIL OF CAST FRAME

(Type E shown)



BARS u3, u4 & u6

INLET BOX

| REQUIRED MATERIAL | | | |
|-------------------|---------------|---------------|---------------------|
| TYPE F | | | |
| Bar | Qty. | Size | Length |
| u | 8 | No. 4 (No.13) | 9'-9" (2.96 m) |
| u1 | 3 | No. 4 (No.13) | 13'-9" (4.19 m) |
| u3 | 4 | No. 4 (No.13) | 17'-3 1/2" (5.27 m) |
| Concrete | cu. yds. (m³) | | 1.7 (1.3) |
| Reinf. bars | lbs. (kg) | | 126 (57.2) |
| Grating | sq. ft. (m²) | | 10.9 (1.02) |
| TYPE E | | | |
| Bar | Qty. | Size | Length |
| u | 6 | No. 4 (No.13) | 9'-9" (2.96 m) |
| u2 | 3 | No. 4 (No.13) | 11'-8" (3.56 m) |
| u4 | 4 | No. 4 (No.13) | 13'-1 1/2" (4.00 m) |
| Concrete | cu. yds. (m³) | | 1.3 (1.0) |
| Reinf. bars | lbs. (kg) | | 98 (44.5) |
| Grating | sq. ft. (m²) | | 7.3 (0.68) |
| TYPE G | | | |
| Bar | Qty. | Size | Length |
| u | 4 | No. 4 (No.13) | 9'-9" (2.69 m) |
| u5 | 3 | No. 4 (No.13) | 9'-7" (2.92 m) |
| u6 | 4 | No. 4 (No.13) | 8'-11 1/2" (2.73 m) |
| Concrete | cu. yds. (m³) | | 0.5 (0.4) |
| Reinf. bars | lbs. (kg) | | 70 (31.8) |
| Grating | sq. ft. (m²) | | 3.6 (0.34) |

NOTES

Welded wire reinforcement (WWR) may be used in lieu of reinforcement bars. Only one layer of WWR is permitted to avoid congestion.

SHOULDER INLET WITH CURB

(Sheet 2 of 2)

STANDARD 610001-09

Illinois Department of Transportation

PASSED January 1, 2021
Michael Bond
 ENGINEER OF POLICY AND PROCEDURES

APPROVED January 1, 2021
J. E. ...
 ENGINEER OF DESIGN AND ENVIRONMENT

ISSUED 1-1-97