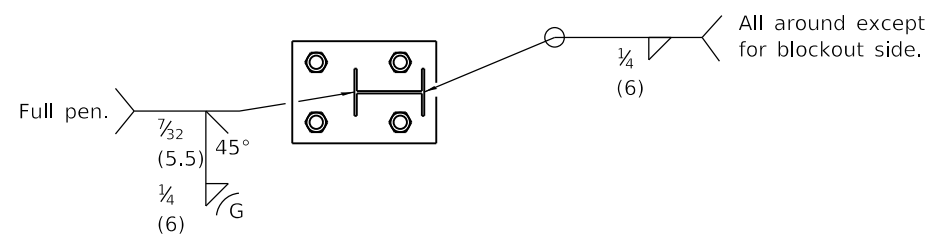
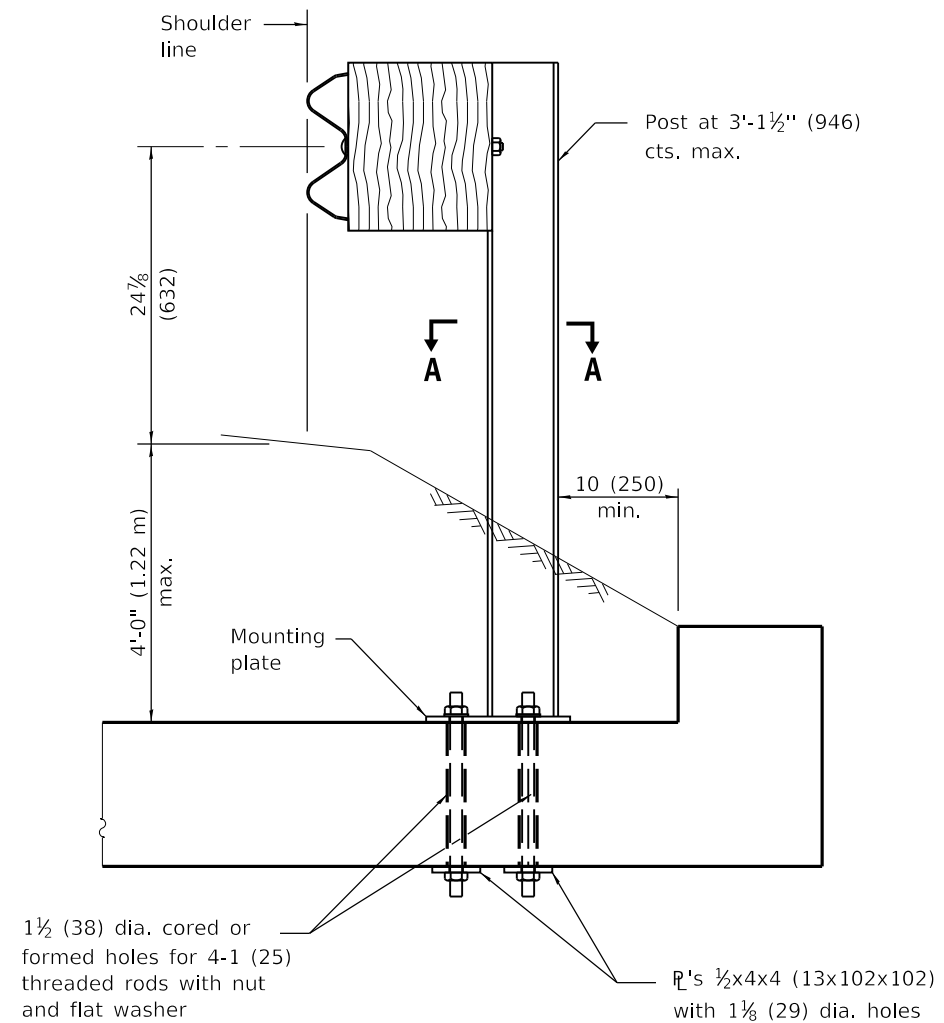


MOUNTING PLATE



SECTION A-A



CROSS SECTION

GENERAL NOTES

For details of guardrail elements not shown, see Standard 630001.

All threaded rods shall be installed with heavy hex nuts and standard washers.

All dimensions are in inches (millimeters) unless otherwise shown.

DATE	REVISIONS
1-1-17	Omitted all cases but MNT.
	ON SLAB. Renamed standard.
	Added mounting plate detail.
1-1-11	Revised weld detail
	for Case IV.

**STRONG POST
GUARDRAIL ATTACHED
TO CULVERT**

STANDARD 630101-10

Illinois Department of Transportation

PASSED January 1, 2017
Michael Beard
 ENGINEER OF POLICY AND PROCEDURES

APPROVED January 1, 2017
Maureen M. Beck
 ENGINEER OF DESIGN AND ENVIRONMENT

ISSUED 1-1-97