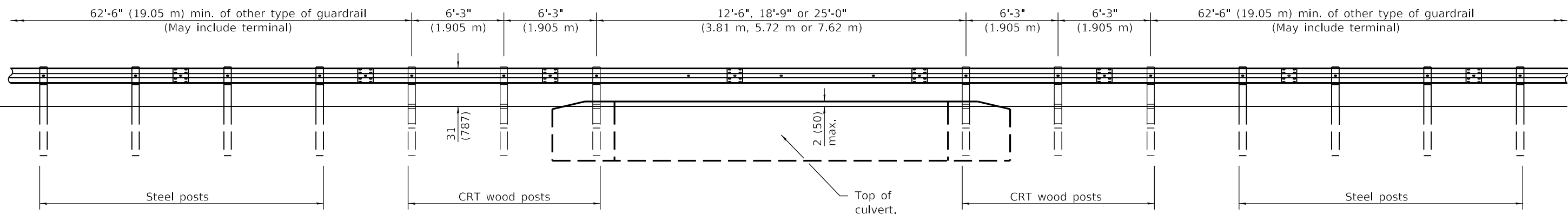
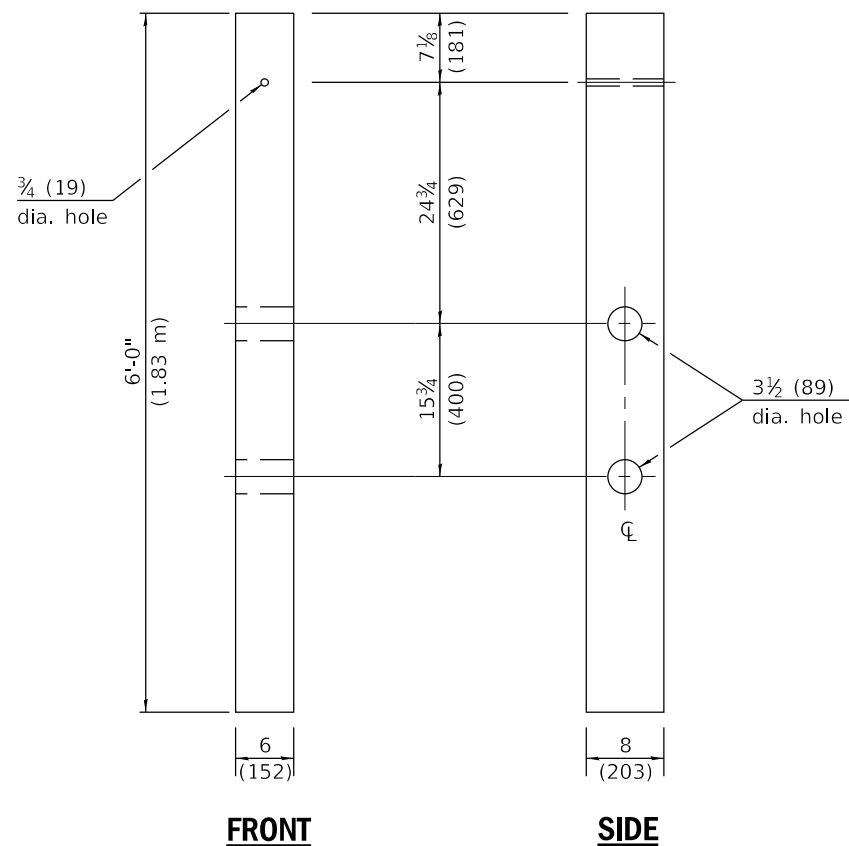


PLAN



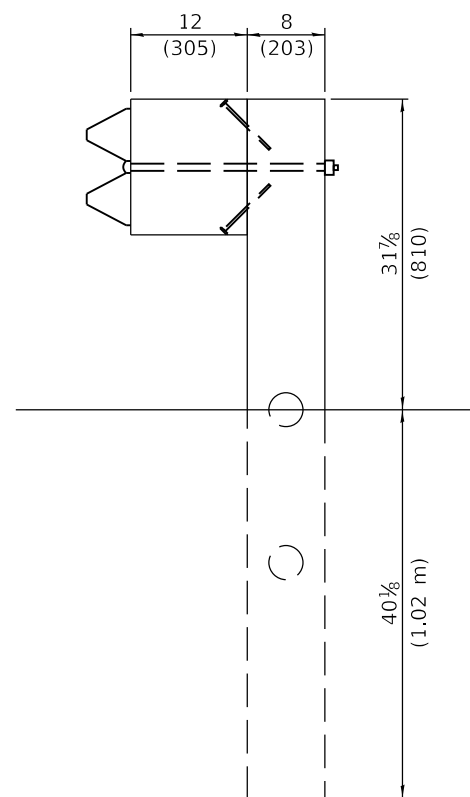
ELEVATION



FRONT

SIDE

CRT WOOD POST



SECTION A-A

GENERAL NOTES

See Standard 630001 for details of guardrail not shown.

Blockouts shown at steel posts shall be omitted when NON-BLOCKED STEEL PLATE BEAM GUARDRAIL is specified. See Standard 630006 for details not shown.

All dimensions are in inches (millimeters) unless otherwise shown.

DATE	REVISIONS
1-1-17	Revised general notes for non-blocked guardrail option.
	Revised pay limits.
1-1-13	Added min. dim. from guardrail to headwall. Added dim. to section A-A.

LONG-SPAN GUARDRAIL OVER CULVERT

STANDARD 630106-02

Illinois Department of Transportation

PASSED January 1, 2017
Michael Beard
 ENGINEER OF POLICY AND PROCEDURES

APPROVED January 1, 2017
Maureen M. Beck
 ENGINEER OF DESIGN AND ENVIRONMENT

ISSUED 1-1-17