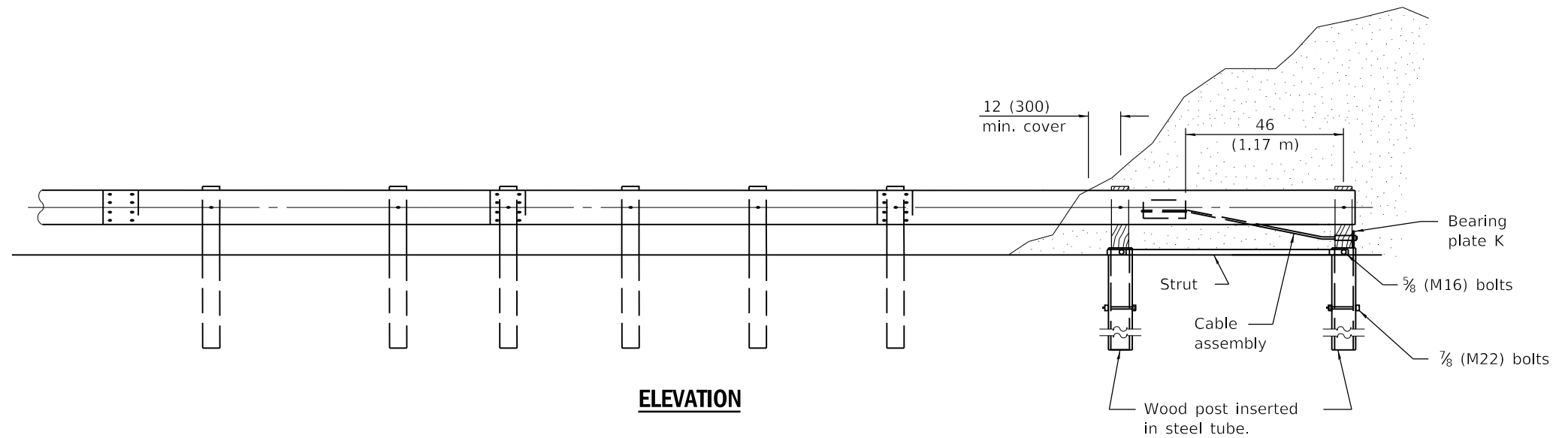
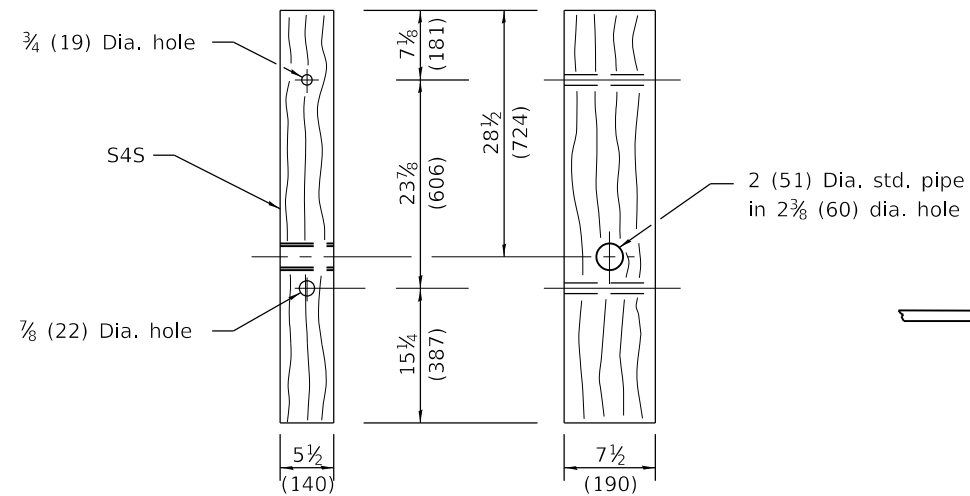


**BEARING PLATE K**



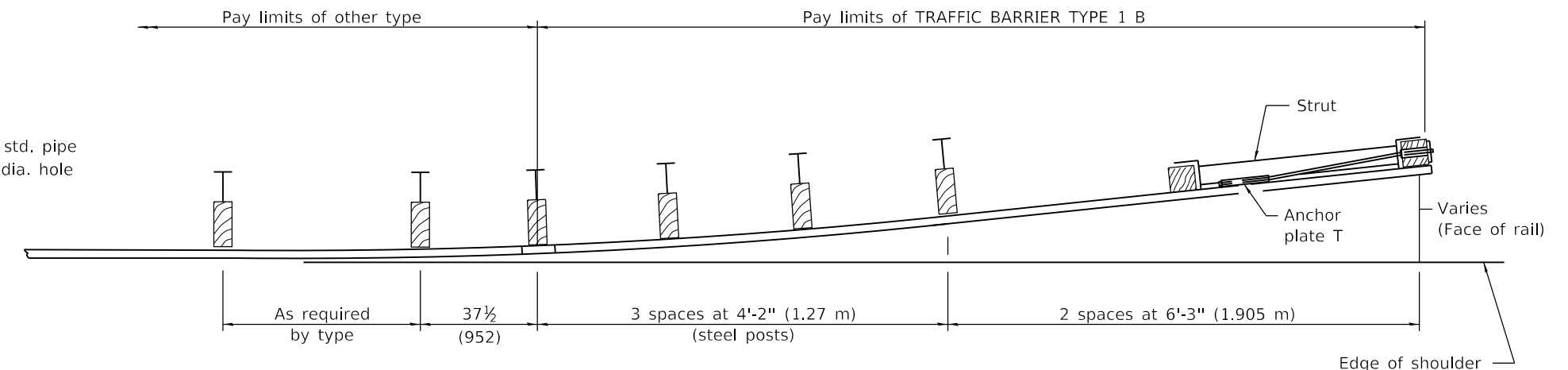
**ELEVATION**



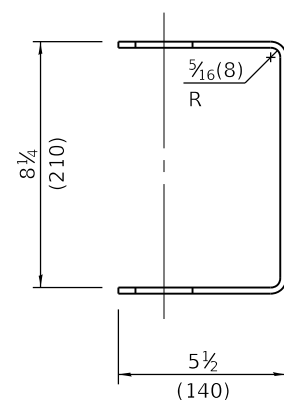
**FRONT**

**SIDE**

**WOOD POST**

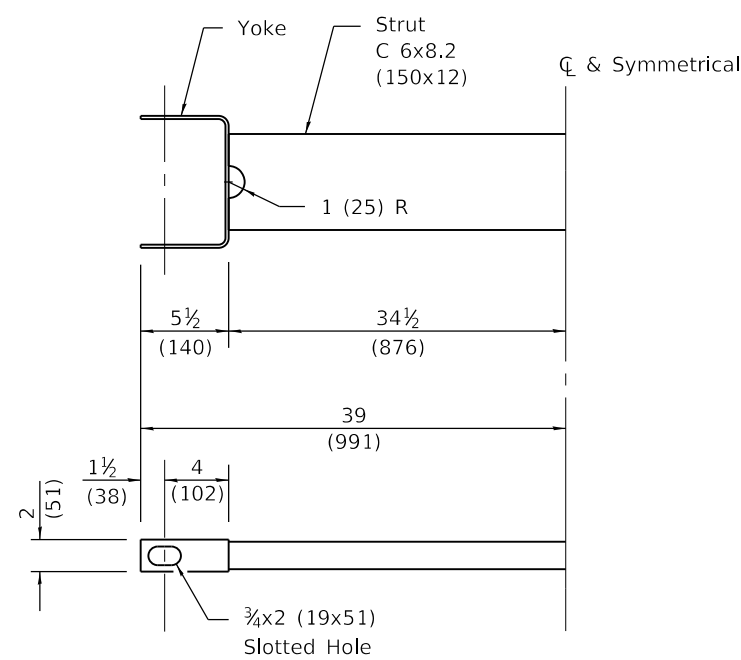


**PLAN**

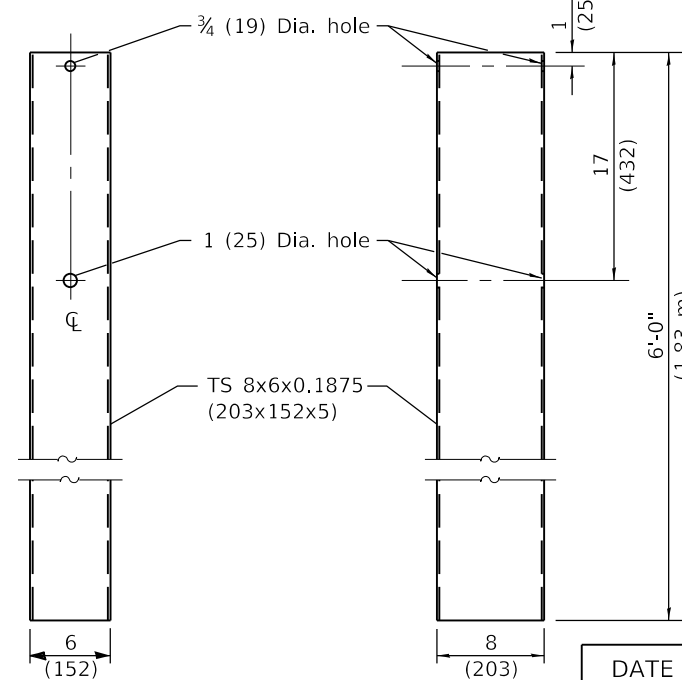


**YOKE**

3/16 (5) thick steel



**CABLE STRUT**



**FRONT**

**SIDE**

**STEEL TUBE**

**GENERAL NOTES**

See Standard 630001 for details of guardrail not shown.

The bearing plate K shall be held in position by two eight penny nails driven into the post and bent over the top of the plate.

All dimensions are in inches (millimeters) unless otherwise shown.

DATE	REVISIONS
1-1-11	Revised steel tube length to 6'-0" (1.83 m).
1-1-10	Increased steel tube length, corrected hole locations in tube.

**TRAFFIC BARRIER  
TERMINAL, TYPE 1B**

**STANDARD 631006-08**

Illinois Department of Transportation

PASSED January 1, 2011  
*Michael Beard*  
 ENGINEER OF POLICY AND PROCEDURES

APPROVED January 1, 2011  
*Scott Schick*  
 ENGINEER OF DESIGN AND ENVIRONMENT

ISSUED 1-1-97