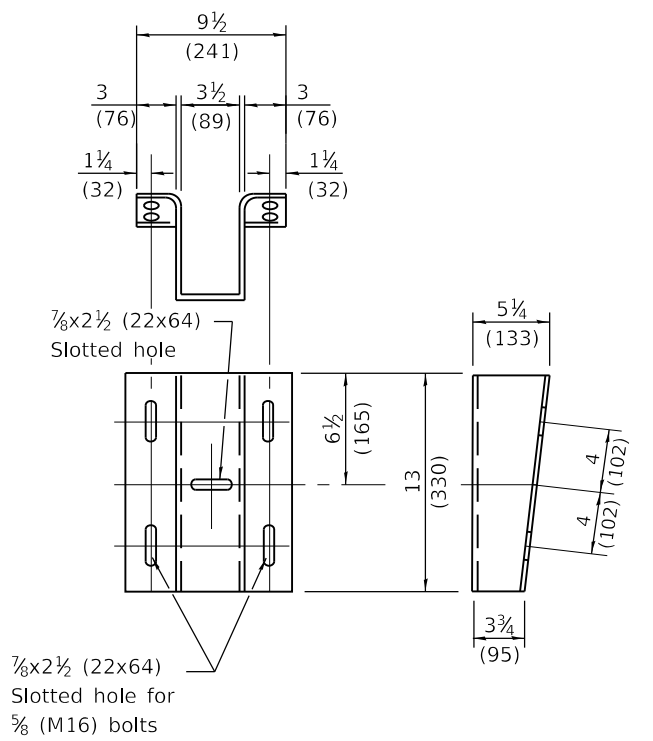
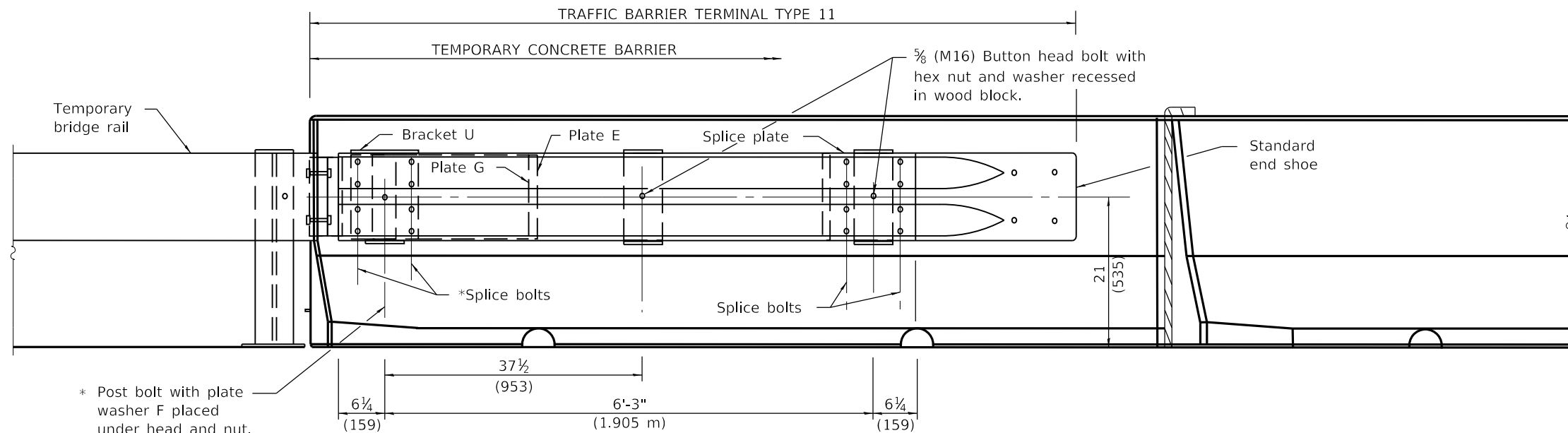


PLAN



BRACKET U

(1/4) (6) Thick steel plate or rectangular tubing with flange welded on.)



ELEVATION

GENERAL NOTES

For details of guardrail not shown, see Standard 630001.

Install the face of the guardrail flush with the face of the temporary bridge rail. Install plate washer D so that the 1 (25) projection fills the remainder of the slotted holes in the 1 (25) end plate on plate G after the 1 (M24) diameter bolts are in place.

* Bolts shall be provided with a lock nut or double nut and shall be tightened only to a point that will allow plate G to be free to move.

** After tightening, cut the anchor bolts flush with nuts, and damage the bolt head to prevent them from loosening.

All dimensions are in inches (millimeters) unless otherwise shown.

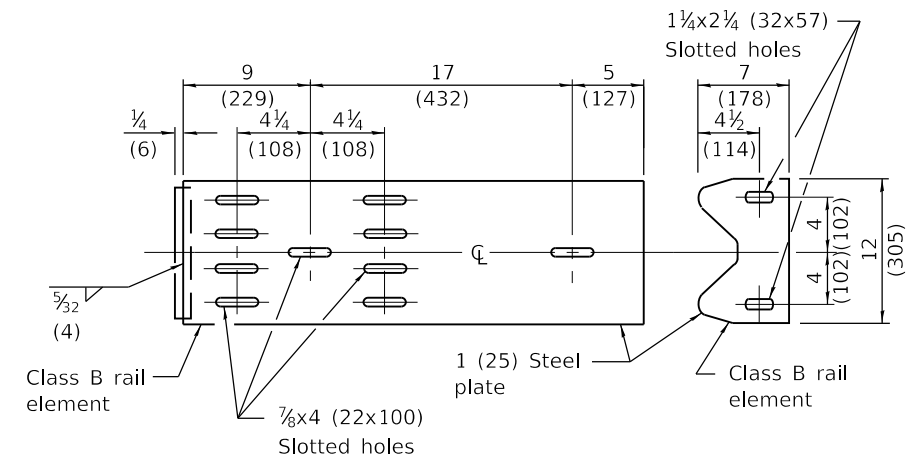


PLATE G

(Place between the rail element and Plate E)

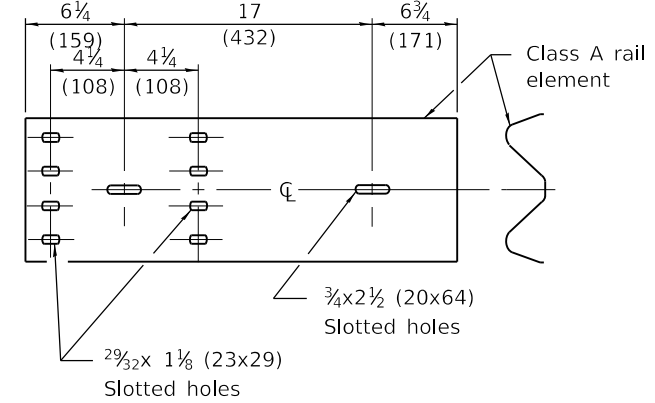


PLATE E

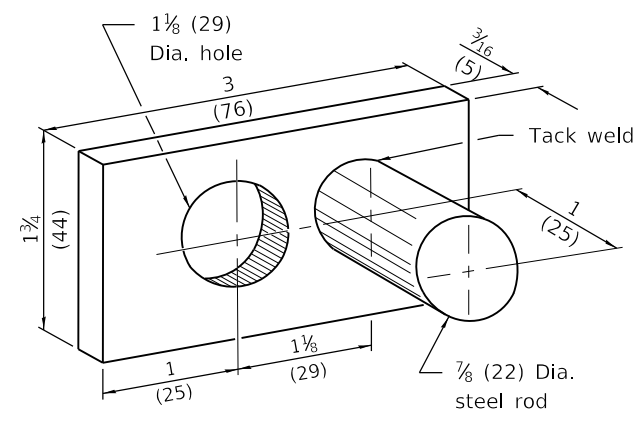


PLATE WASHER D

DATE	REVISIONS
1-1-11	Corrected weld symbol on PLATE G detail.
1-1-09	Switched units to English (metric).

TRAFFIC BARRIER TERMINAL TYPE 11

STANDARD 631051-03

Illinois Department of Transportation

PASSED January 1, 2011
Michael Beard
 ENGINEER OF POLICY AND PROCEDURES

APPROVED January 1, 2011
Scott Schick
 ENGINEER OF DESIGN AND ENVIRONMENT

ISSUED 1-1-97