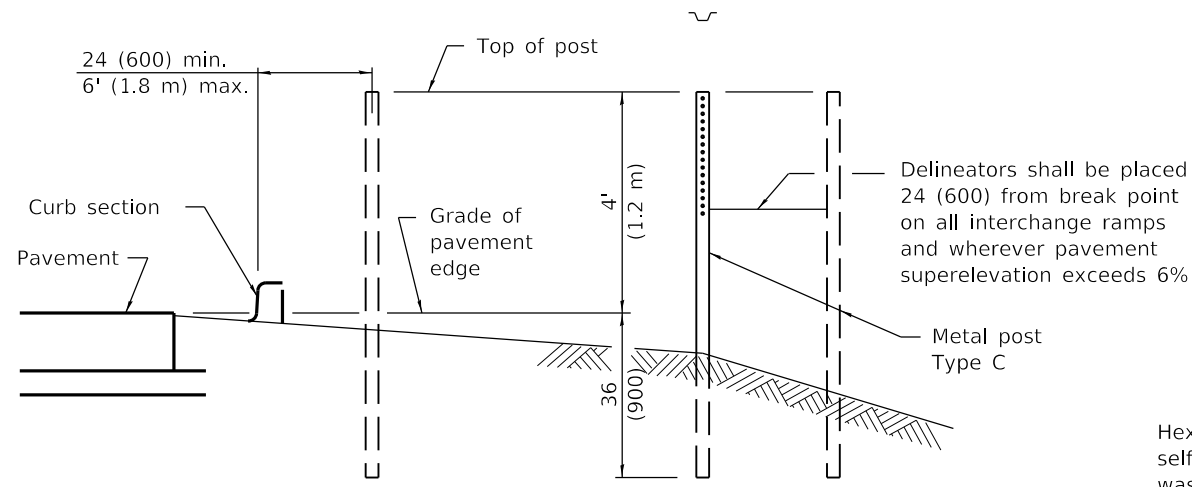


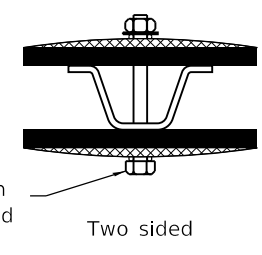
**SPACING FOR DELINEATORS  
ON HORIZONTAL CURVES**

Radius of Curve Feet (m)	Spacing on Curve Feet (m)	Spacing in Advance and Beyond Curve Feet (m)		
		1st. Space	2nd. Space	3rd. Space
Less than 100 (30)	20 (5)	40 (10)	65 (20)	125 (40)
100 - 174 (30 - 54)	30 (10)	60 (20)	90 (25)	180 (55)
175 - 224 (55 - 69)	35 (10)	70 (20)	110 (35)	200 (60)
225 - 274 (70 - 84)	40 (10)	85 (25)	125 (40)	200 (60)
275 - 349 (85 - 104)	50 (15)	95 (30)	145 (45)	200 (60)
350 - 449 (105 - 134)	55 (15)	110 (35)	170 (50)	200 (60)
450 - 549 (135 - 164)	65 (20)	125 (40)	190 (60)	200 (60)
550 - 649 (165 - 199)	70 (20)	140 (45)	200 (60)	200 (60)
650 - 749 (200 - 229)	75 (25)	150 (45)	200 (60)	200 (60)
750 - 849 (230 - 259)	80 (25)	165 (50)	200 (60)	200 (60)
850 - 949 (260 - 289)	85 (25)	175 (55)	200 (60)	200 (60)
950 - 1049 (290 - 319)	90 (25)	185 (55)	200 (60)	200 (60)
1050 - 1299 (320 - 394)	100 (30)	200 (60)	200 (60)	200 (60)
1300 - 1999 (395 - 609)	125 (40)	200 (60)	200 (60)	300 (90)
2000 - 2999 (610 - 914)	150 (45)	200 (60)	200 (60)	300 (90)
3000 - 3999 (915 - 1219)	175 (55)	200 (60)	300 (90)	300 (90)
4000 or greater (1220)	400 (120)	400 (120)	400 (120)	400 (120)



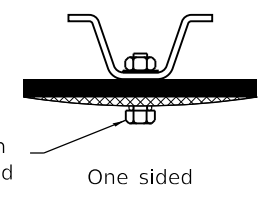
**SECTIONAL VIEW**

Hex head bolt with self locking nut and washer



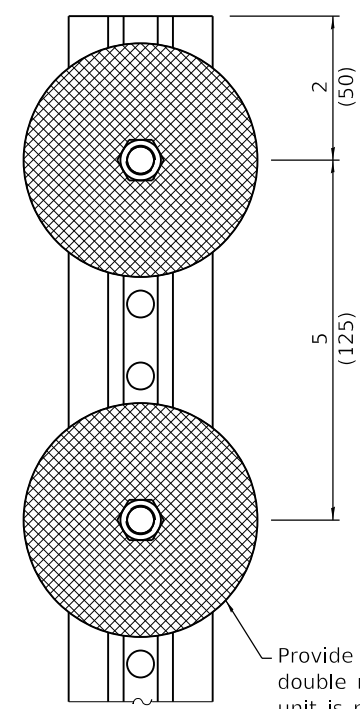
Two sided

Hex head bolt with self locking nut and washer



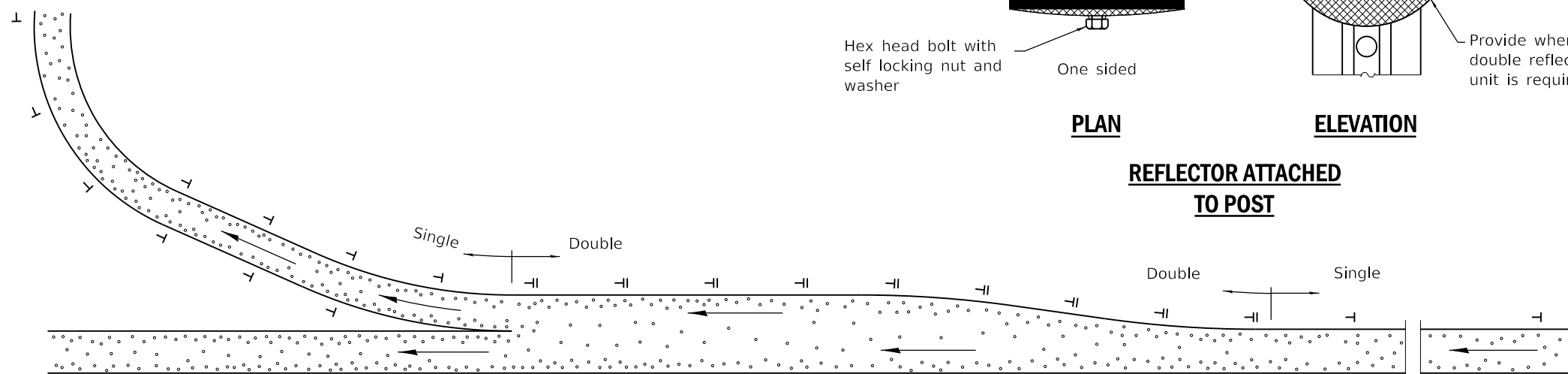
One sided

**PLAN**

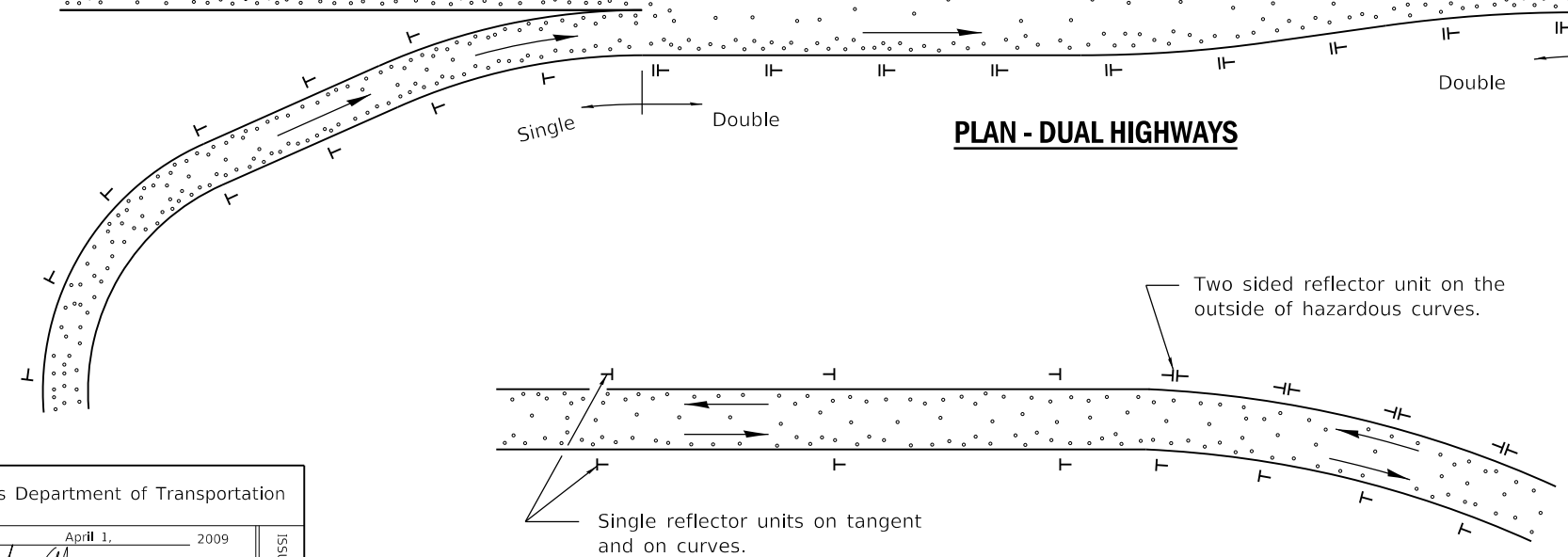


**ELEVATION**

**REFLECTOR ATTACHED TO POST**



**PLAN - DUAL HIGHWAYS**



**PLAN - TWO-WAY ROADWAYS**

**GENERAL NOTES**

Delineators on tangent sections of main line roadways shall be placed at 400' (120 m) spacing. Delineators on ramps and acceleration and deceleration lanes shall be placed at a maximum spacing of 100' (30 m).

Refer to Standard 720011 for details of metal post.

Double reflector units shall be used on the outside of all acceleration and deceleration lanes. Single reflector units shall be used on ramps. Delineators shall be used on outside of all curved sections of ramps.

All dimensions are in inches (millimeters) unless otherwise shown.

DATE	REVISIONS
4-1-16	Added detail of reflector attached to post. Revised signature block.
1-1-09	Switched units to English (metric). Revised notes.

**DELINEATORS**

**STANDARD 635001-02**

Illinois Department of Transportation

PASSED April 1, 2009  
*Amy Allen*  
 ENGINEER OF OPERATIONS

APPROVED April 1, 2009  
*[Signature]*  
 ENGINEER OF DESIGN AND ENVIRONMENT

ISSUED 1-1-97