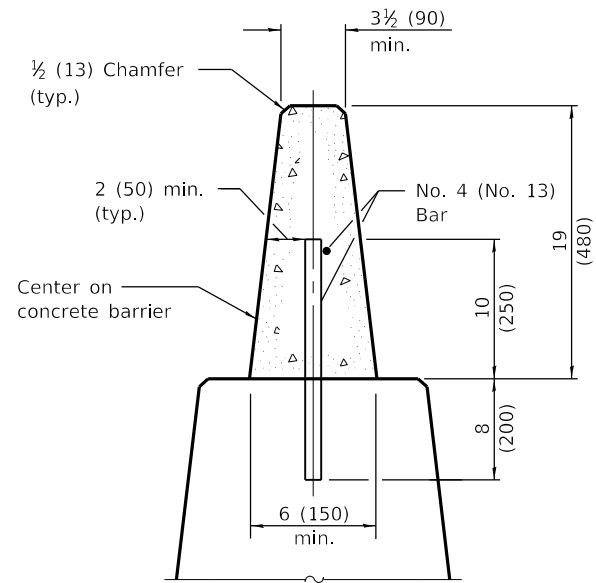
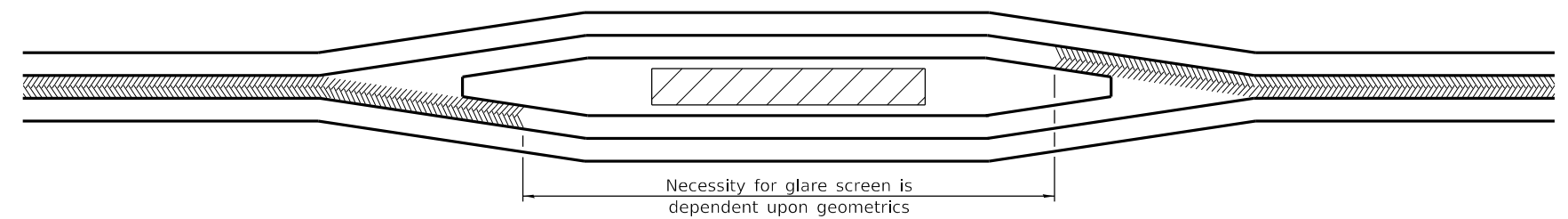


**ELEVATION**



**SECTION A-A**



**TYPICAL APPLICATION AT MEDIAN OBSTRUCTIONS**



All dimensions are in inches (millimeters) unless otherwise shown.

Illinois Department of Transportation

PASSED January 1, 2009

ENGINEER OF POLICY AND PROCEDURES

APPROVED January 1, 2009

ENGINEER OF DESIGN AND ENVIRONMENT

ISSUED 1-1-97

DATE	REVISIONS
1-1-09	Switched units to English (metric).
1-1-04	Revised for F shape barrier.

**CONCRETE GLARE SCREEN**

**STANDARD 638101-02**