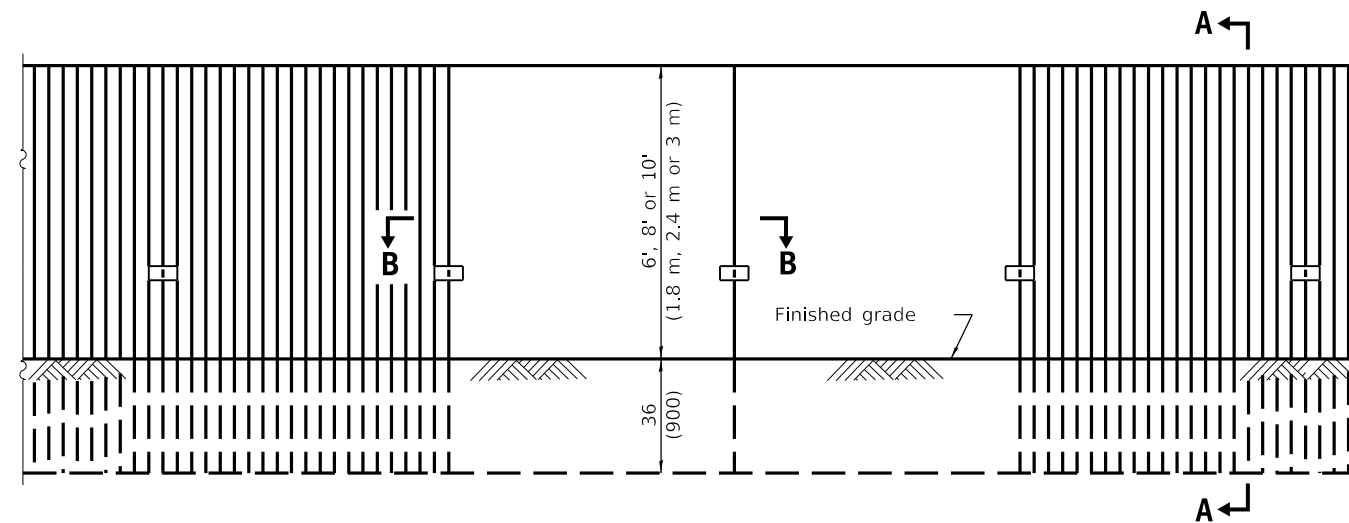
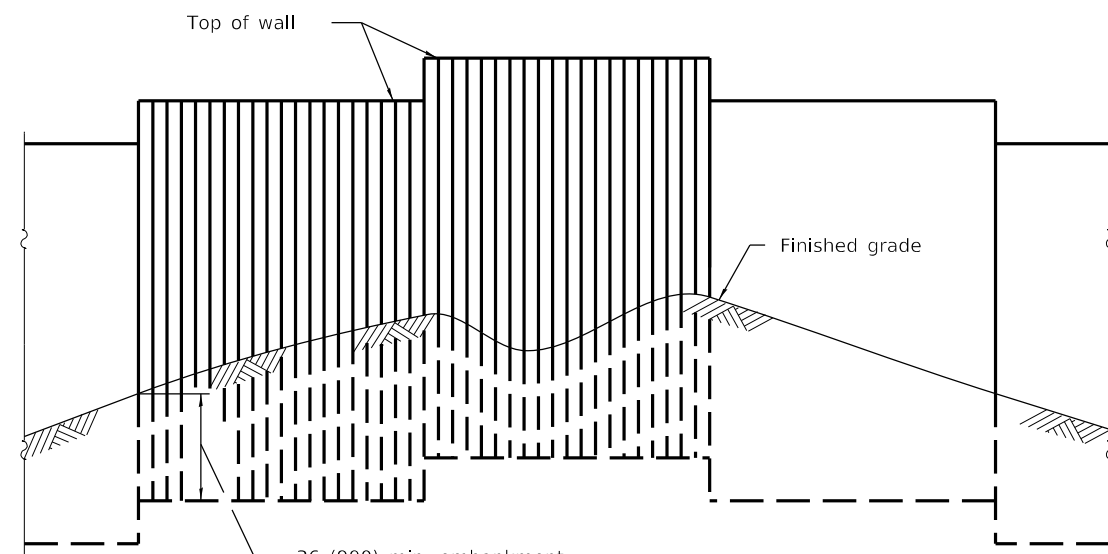


Each alternate pair of panels shall have a textured surface finish as shown, and shall be alternated with pairs having a smooth finish. The intersection of every two panels having the same finish shall point toward the road as shown.

PLAN

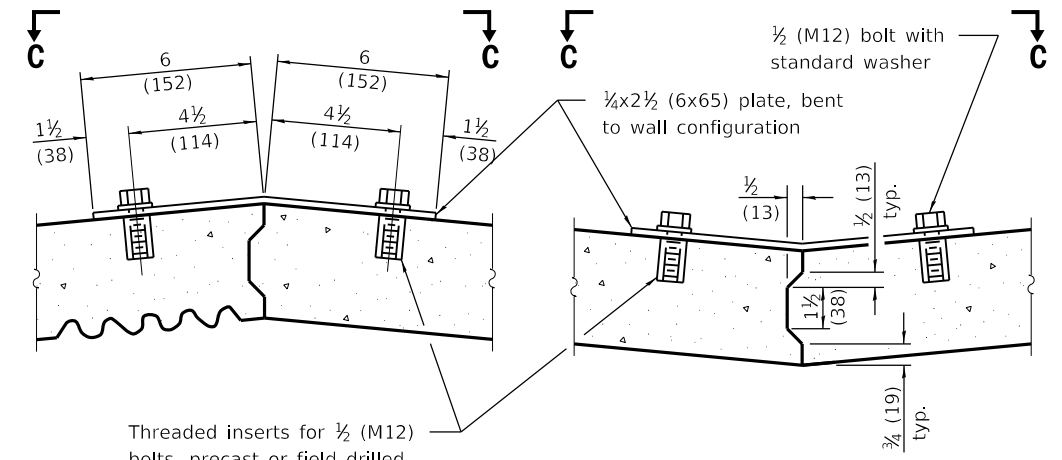


ELEVATION



ELEVATION

(Showing installation of wall in irregular ground)

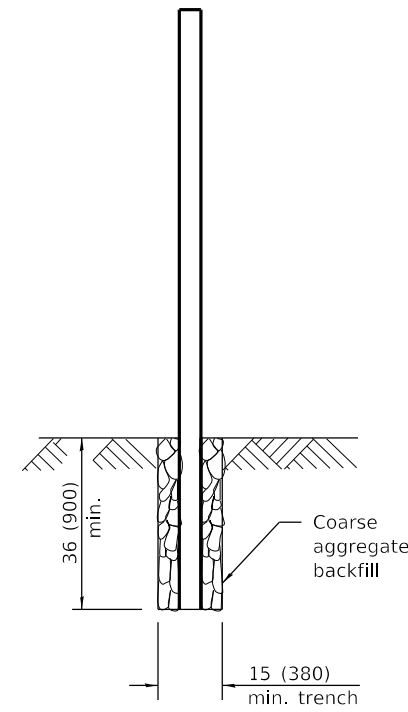


Threaded inserts for 1/2 (M12) bolts, precast or field drilled, as necessary, into panels.

Showing typical metal band connector dimensions

Showing typical shear key dimensions

SECTION B-B



SECTION A-A

GENERAL NOTES

Loading for 80 mph (130 km/h) wind with 30% gust factor, normal to wall.

ALLOWABLE STRESSES:

- Concrete: f'c = 3,500 psi (24 MPa)
f'ci = 2,250 psi (15 MPa)
- Prestressing Steel: f's = 270,000 psi (1860 MPa)
fsl = 189,000 psi (1300 MPa)
- Reinforcing Steel: f'y = 40,000 psi min. (270 MPa)
- Structural Steel: fs = 20,000 psi (138 MPa)
- Minimum allowable soil bearing pressure: = 1.25 tsf (120 kPa)

All dimensions are in inches (millimeters) unless otherwise shown.

DATE	REVISIONS
1-1-09	Switched units to English (metric).
1-1-07	Soft converted metric reinforcement bars & corrected dimensions.

**SIGHT SCREEN
PRECAST PRESTRESSED
CONCRETE PANEL WALL**

(Sheet 1 of 2)

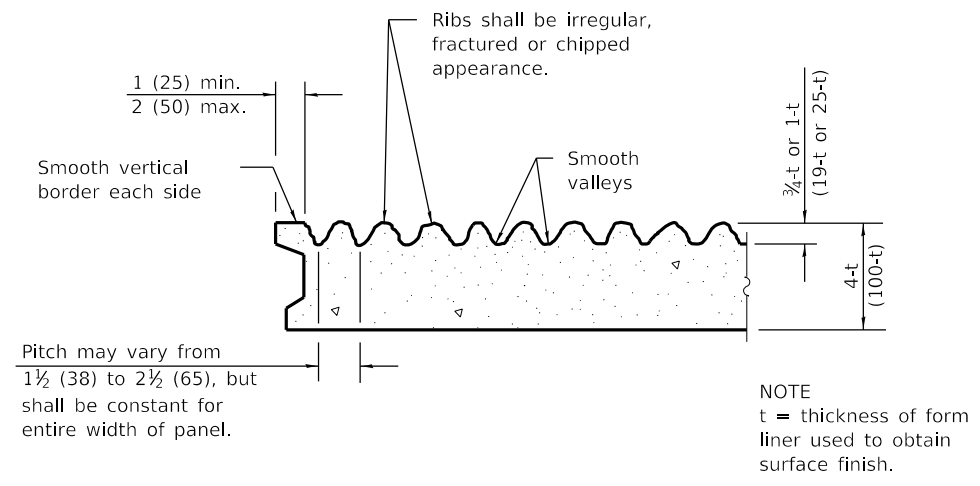
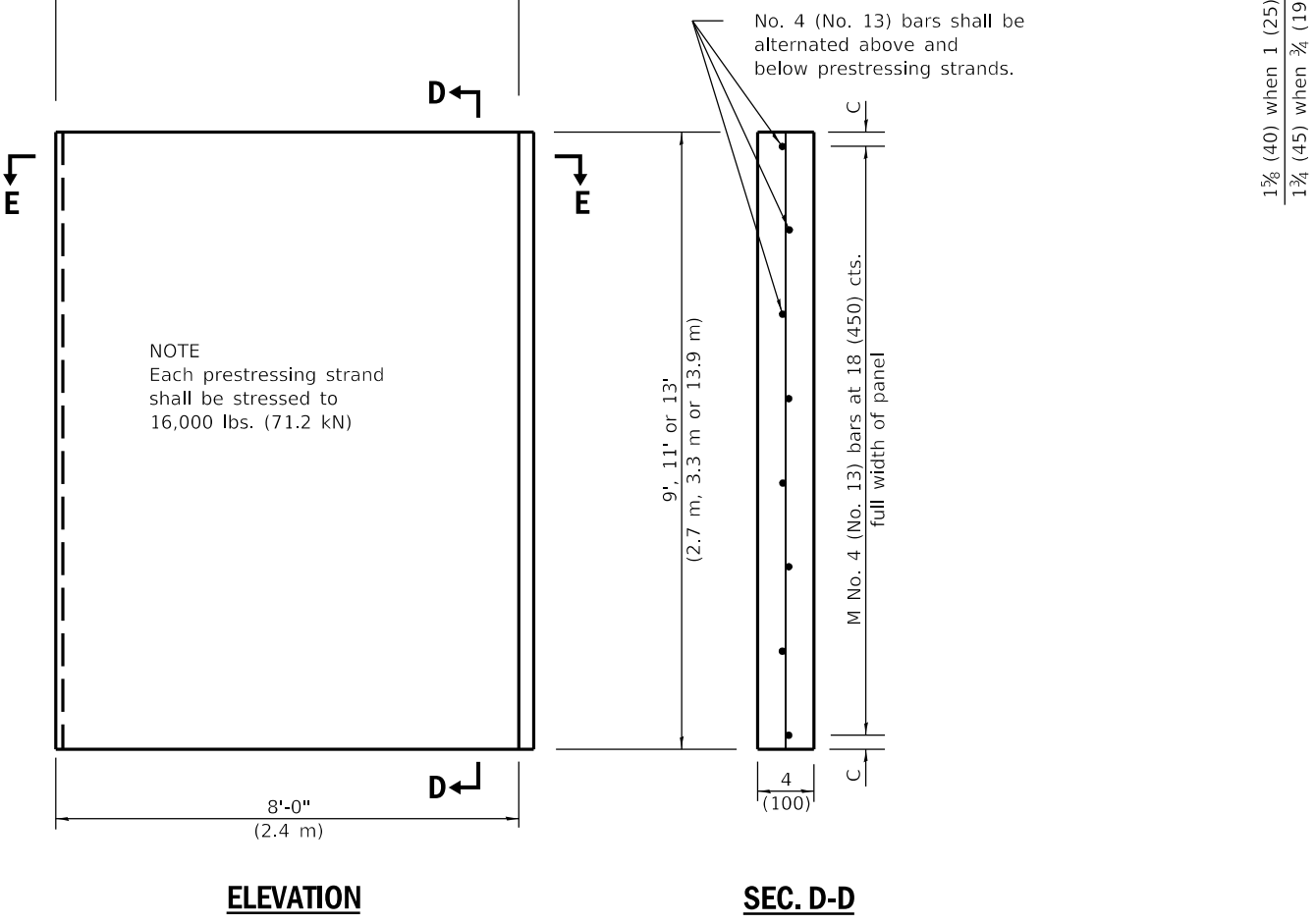
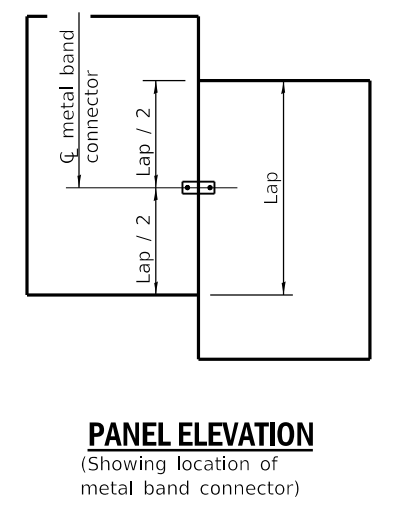
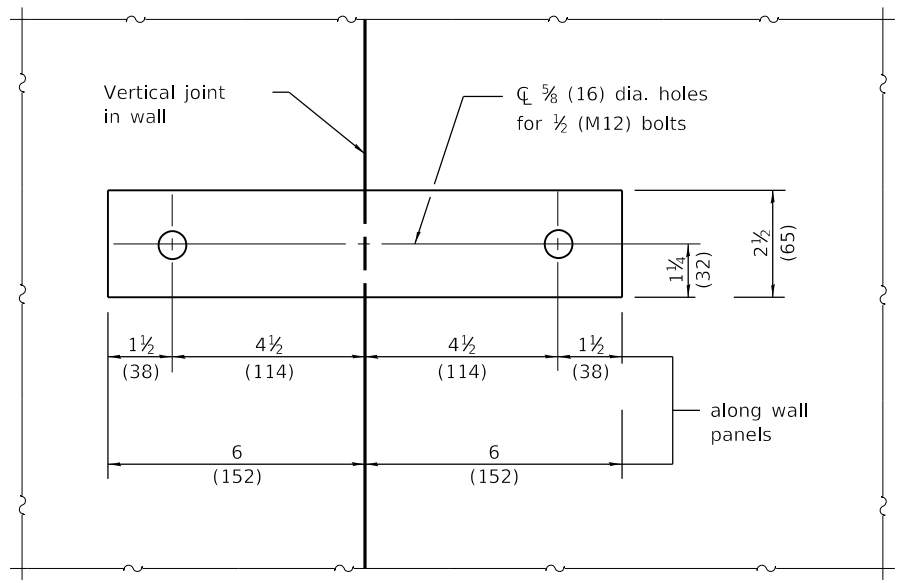
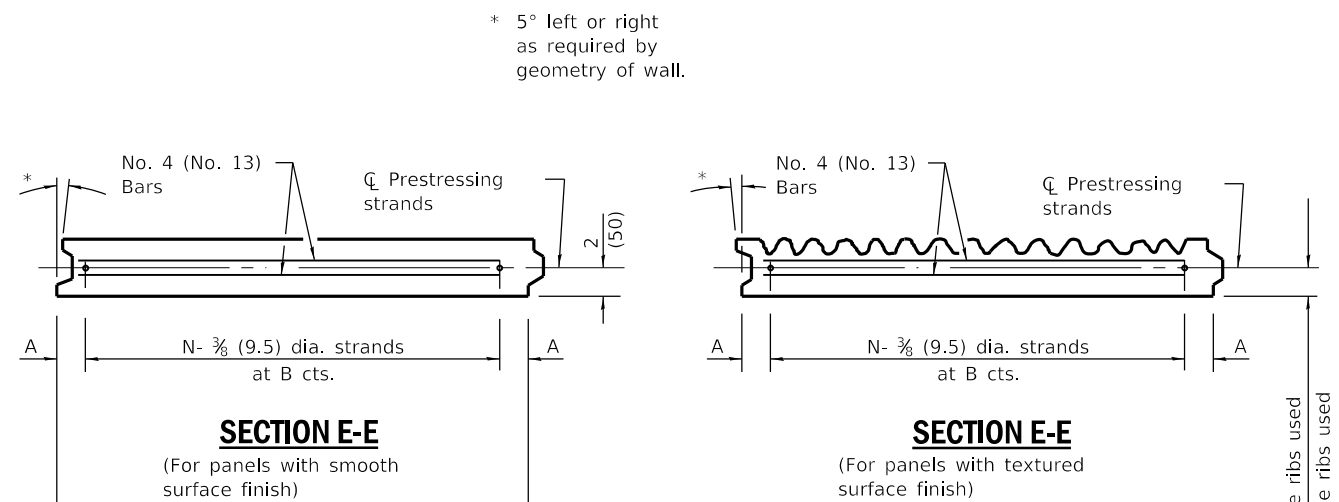
STANDARD 639001-02

Illinois Department of Transportation

APPROVED January 1, 2009
Ralph E. Anderson
ENGINEER OF BRIDGES AND STRUCTURES

APPROVED January 1, 2009
Lee E. Han
ENGINEER OF DESIGN AND ENVIRONMENT

ISSUED 1-1-97



STRAND and REINFORCEMENT LAYOUT

Nominal Panel Size	A	N	B	C	M
8'-0" x 9'-0" (2.4 m x 2.7 m)	6 (150)	8	12 (300)	9 (225)	6
8'-0" x 11'-0" (2.4 m x 3.3 m)	3 (75)	11	9 (225)	3 (75)	8
8'-0" x 13'-0" (2.4 m x 3.9 m)	3 (75)	16	6 (150)	6 (150)	9

Illinois Department of Transportation

APPROVED January 1, 2009
Ralph E. Anderson
 ENGINEER OF BRIDGES AND STRUCTURES

APPROVED January 1, 2009
Ken E. Han
 ENGINEER OF DESIGN AND ENVIRONMENT

ISSUED 1-1-97

**SIGHT SCREEN
 PRECAST PRESTRESSED
 CONCRETE PANEL WALL**
 (Sheet 2 of 2)

STANDARD 639001-02