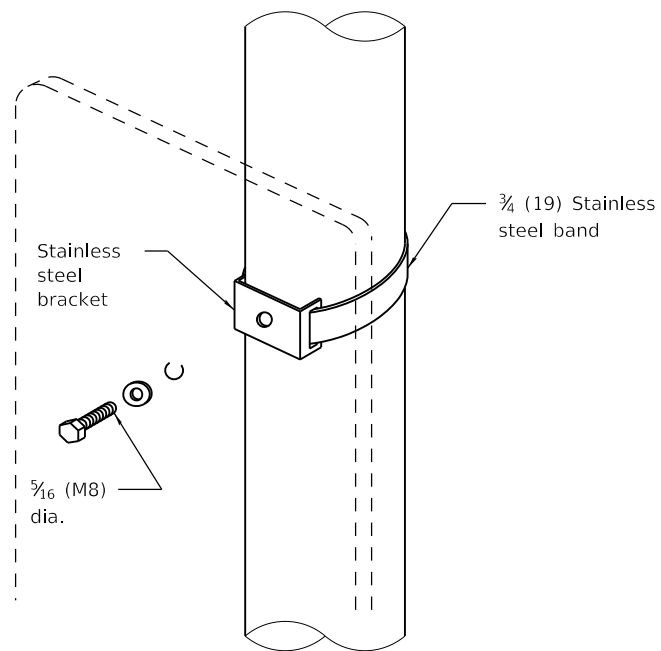
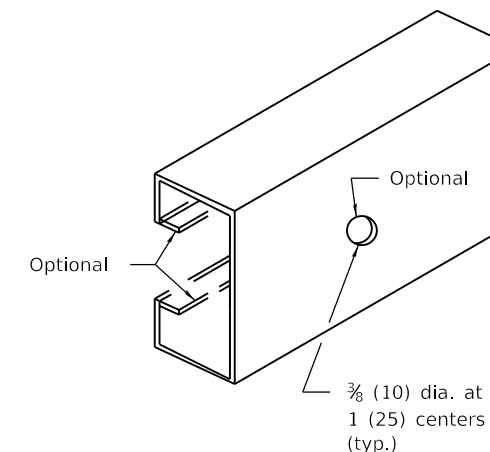
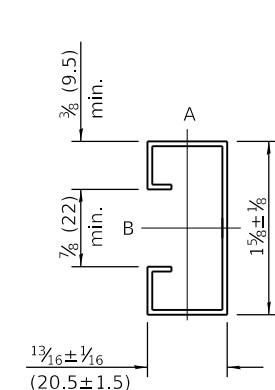


Sign panel 36 (900) wide or less

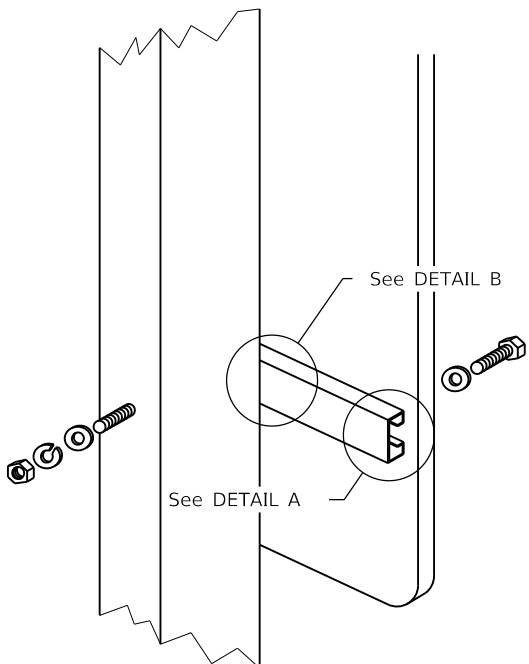


Sign panel 36 (900) wide or less

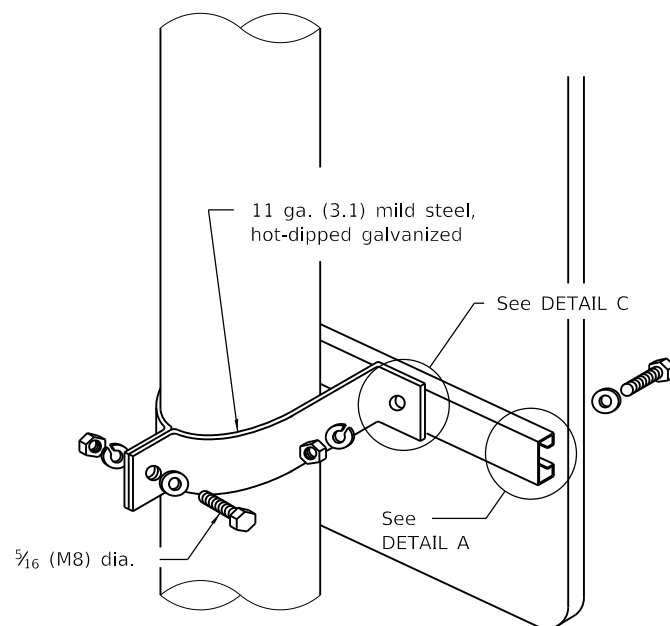
| Section modulus (minimum) | Axis A | Axis B |
|---------------------------|--|--|
| Steel | 0.050 in. ³ (819 mm ³) | 0.105 in. ³ (1720 mm ³) |
| Aluminum | 0.150 in. ³ (2458 mm ³) | 0.315 in. ³ (5162 mm ³) |



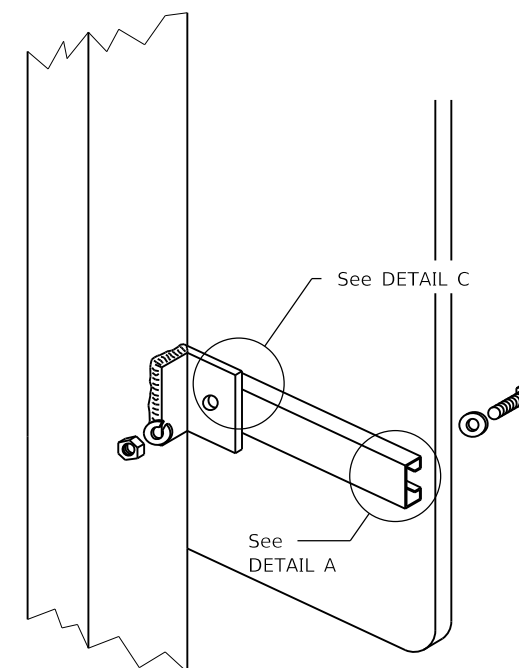
SUPPORTING CHANNEL DETAILS



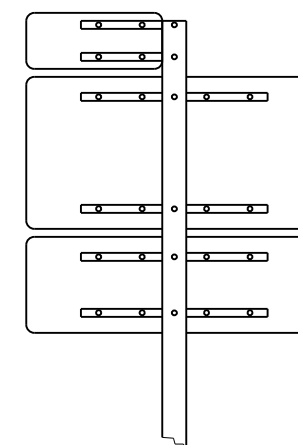
Sign panel over 36 (900) wide



Sign panel over 36 (900) wide



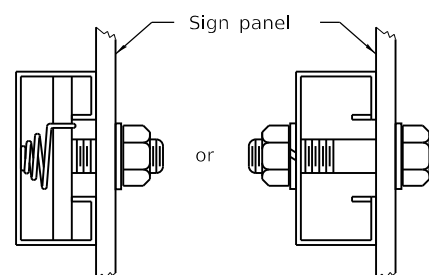
ROUTE MARKER ASSEMBLY



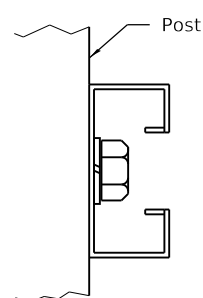
WOOD OR TELESCOPING STEEL POSTS

LIGHT OR SIGNAL STANDARDS

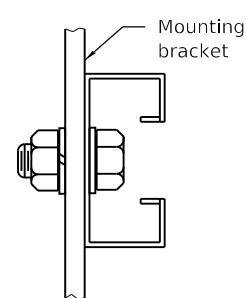
BREAKAWAY STEEL TUBING POSTS
(All sign panel sizes)



DETAIL A



DETAIL B



DETAIL C

All dimensions are in inches (millimeters) unless otherwise shown.

| DATE | REVISIONS |
|--------|-------------------------------------|
| 1-1-09 | Switched units to English (metric). |
| 1-1-97 | Renum. Standard 2319-6. |

SIGN PANEL MOUNTING DETAILS

STANDARD 720001-01

Illinois Department of Transportation

PASSED January 1, 2009

ENGINEER OF OPERATIONS

APPROVED January 1, 2009

ENGINEER OF DESIGN AND ENVIRONMENT

ISSUED 1-1-97