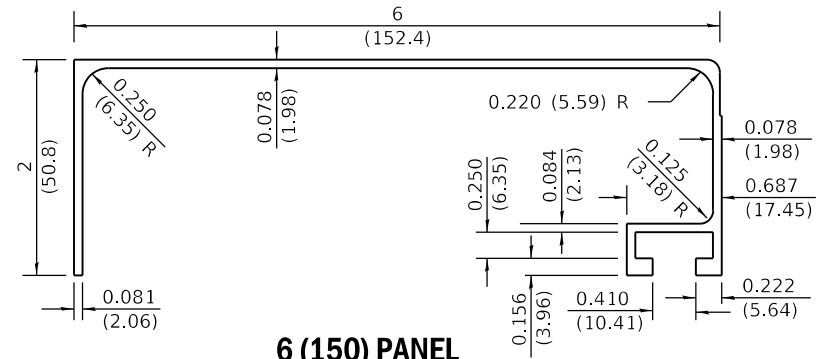
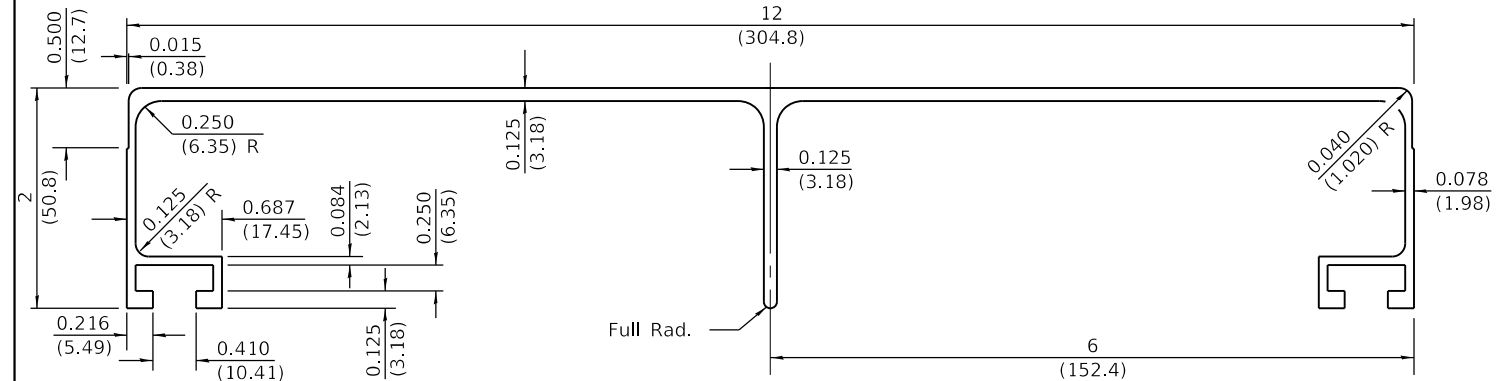


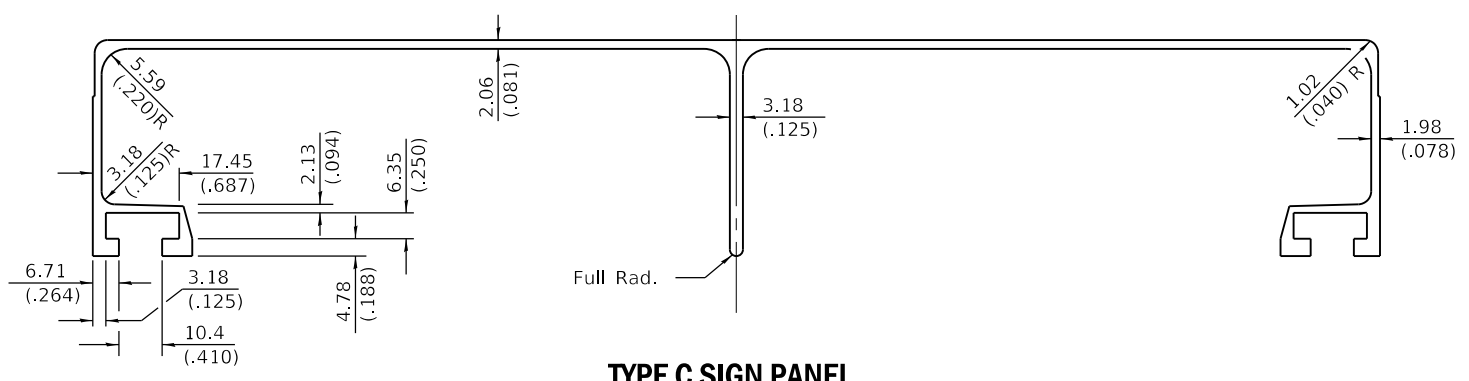
FACE OF SIGN PANEL



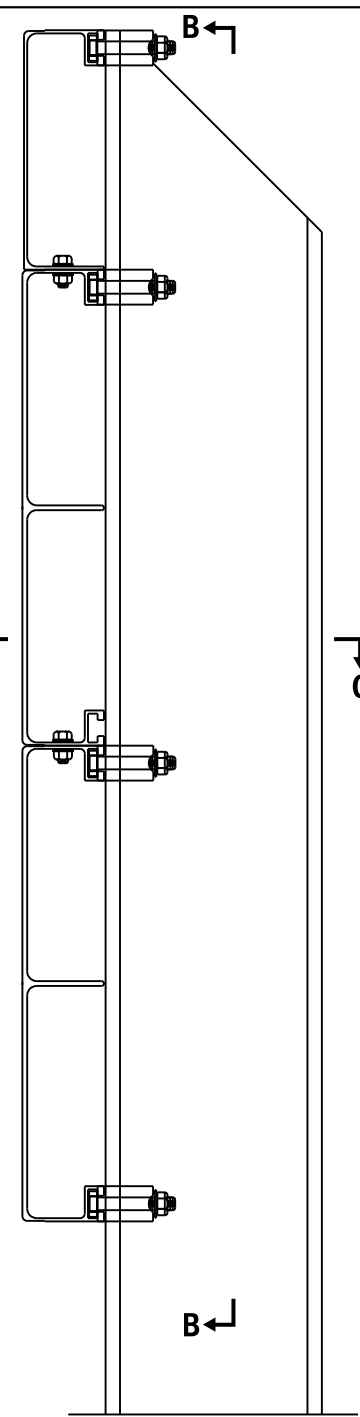
6 (150) PANEL



TYPE B SIGN PANEL



TYPE C SIGN PANEL

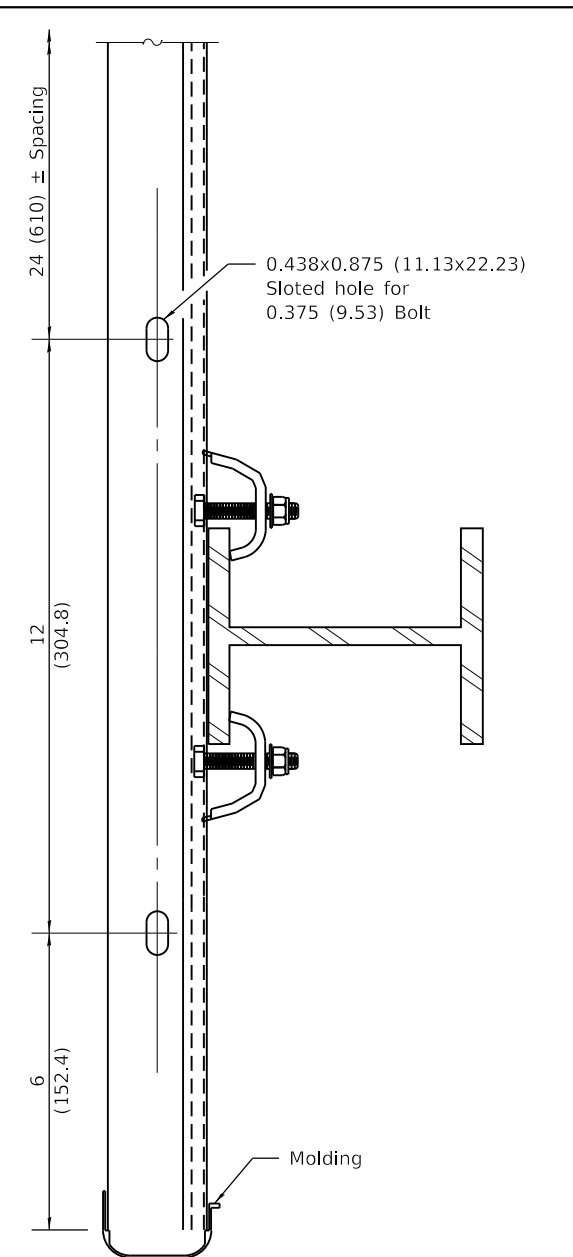


SECTION A-A

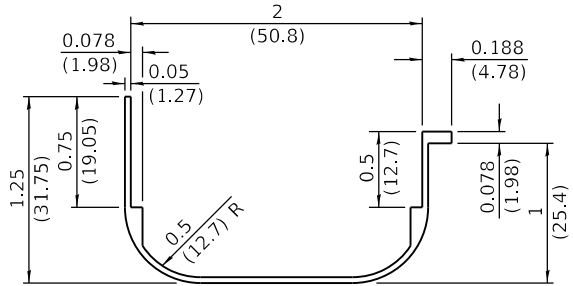


SECTION B-B

(Provide two post clips top and bottom. Alternate at interior panel joints on ground-mounted signs, and provide two clips at all panel joints on over-head mounted signs.)



SECTION C-C
(w/o panel bolts)



SIGN MOLDING

(Color shall match sign face material. To be riveted to sign panel at 24 (600) O.C.)

All dimensions are in inches (millimeters) unless otherwise shown.

Illinois Department of Transportation

PASSED January 1, 2022

Amy Allen
ENGINEER OF OPERATIONS

APPROVED January 1, 2022

John Doe
ENGINEER OF DESIGN AND ENVIRONMENT

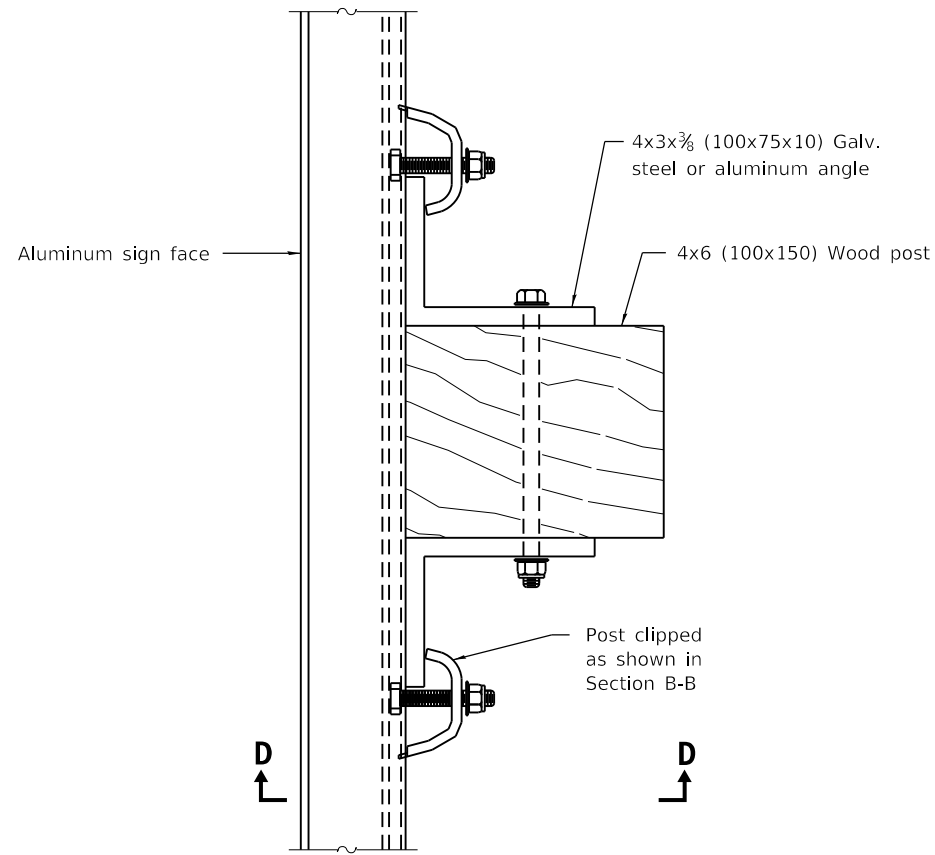
00-1-1 03/05/11

DATE	REVISIONS
1-1-22	Removed stainless steel clip option and minor typos.
1-1-09	Added aluminium clip. Switched units to English (metric).

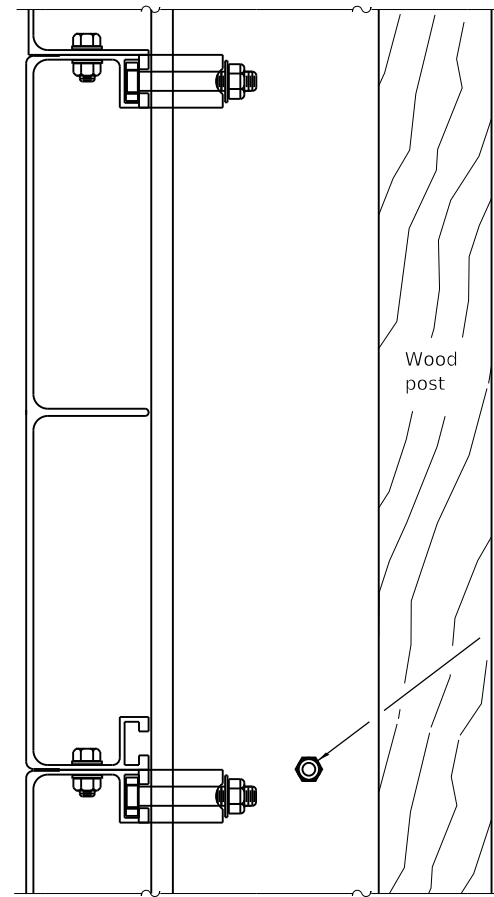
SIGN PANELS
EXTRUDED ALUMINUM TYPE

(Sheet 1 of 2)

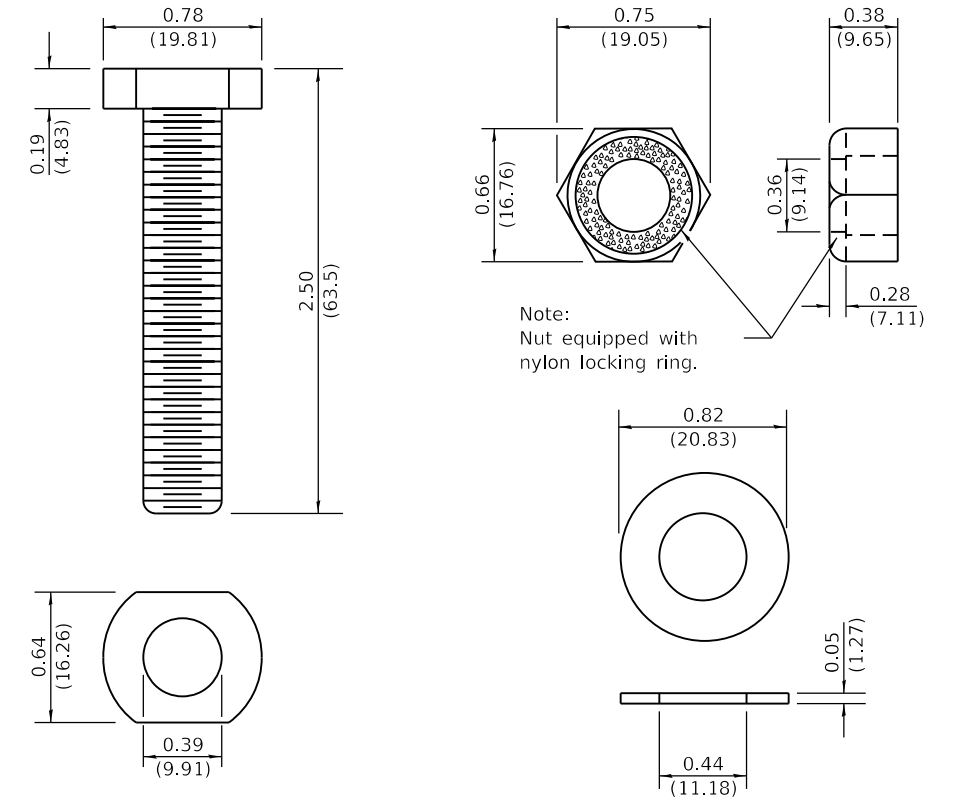
STANDARD 720021-03



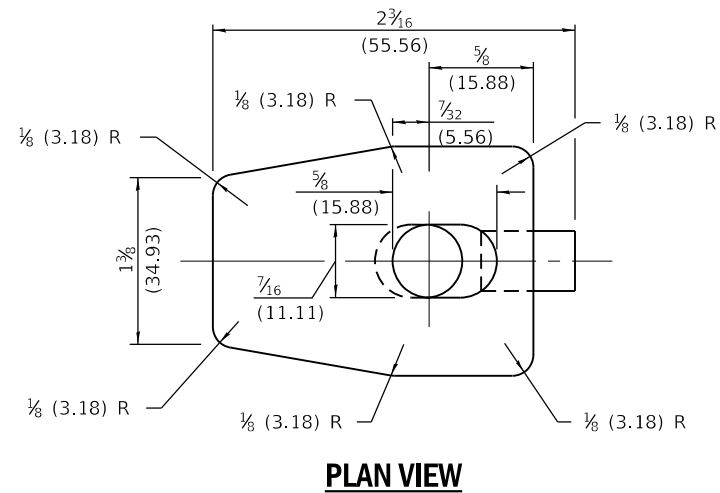
SIGN PANEL ATTACHMENT TO WOOD POST



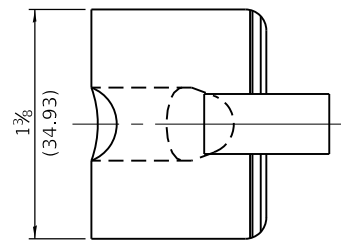
SECTION D-D



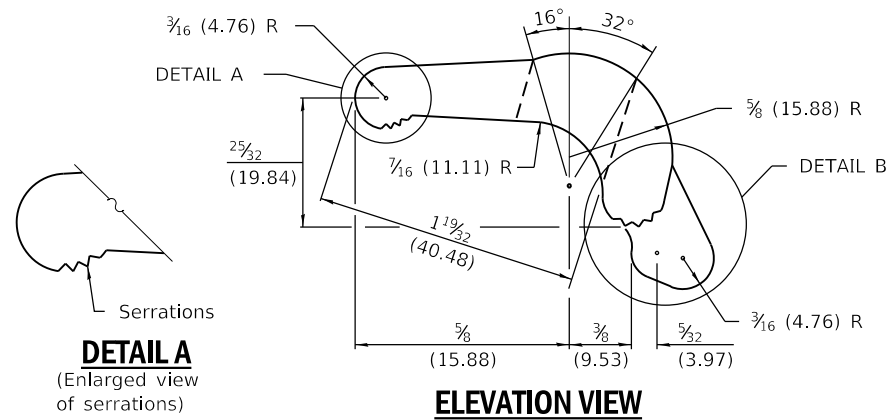
ALUMINUM CLIP NUT, BOLT AND WASHER ASSEMBLY



PLAN VIEW

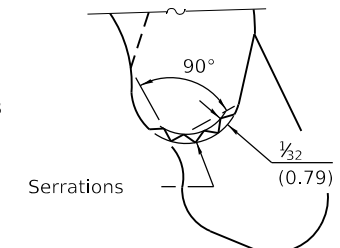


END VIEW



DETAIL A
(Enlarged view of serrations)

ELEVATION VIEW



DETAIL B
(Enlarged detail of serrations)

ALUMINUM CLIP