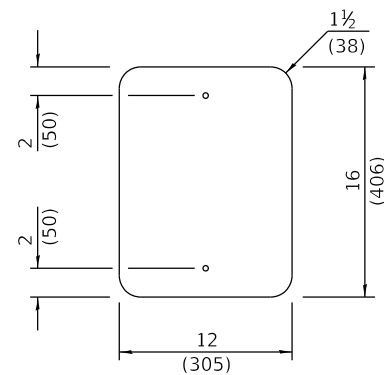


DIRECT APPLIED

TERMINAL MARKER DETAILS

Color: Black / Yellow reflectorized

* The width and height (a, b) of the terminal marker shall be within approximately 1 (25) of the outer edge of the terminal end.



GENERAL NOTES

See detail on Standard 729001 for mounting markers to posts.

All dimensions are in inches (millimeters) unless otherwise shown.

DATE	REVISIONS
1-1-17	Omitted minimum reflective area requirement for terminal marker.
4-1-16	Renumbered standard from 635006.

OBJECT AND TERMINAL MARKERS

STANDARD 725001-01

Illinois Department of Transportation

PASSED January 1, 2017

ENGINEER OF OPERATIONS

APPROVED January 1, 2017

ENGINEER OF DESIGN AND ENVIRONMENT

ISSUED 1-1-2016