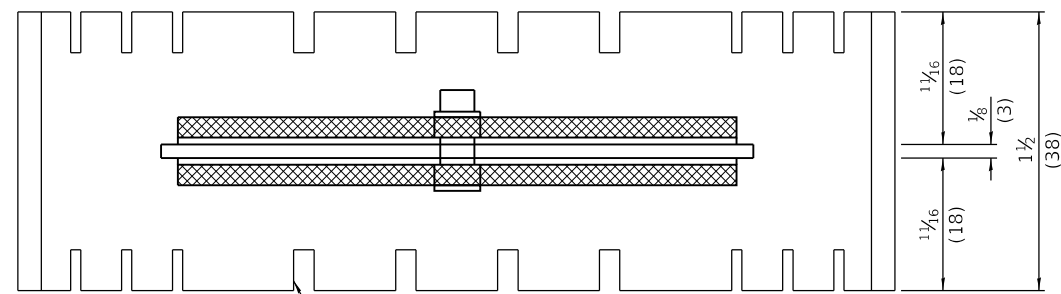
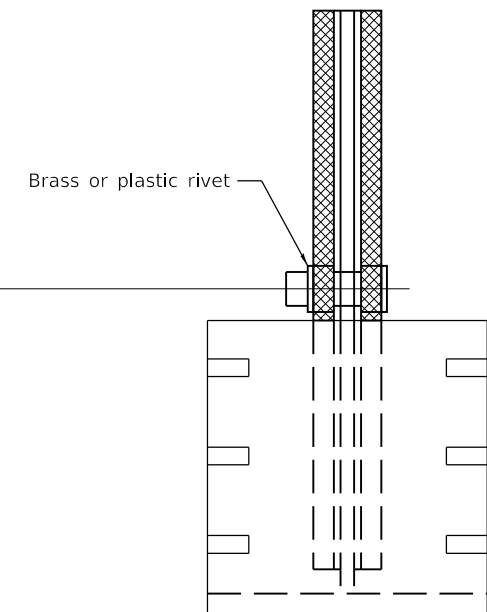
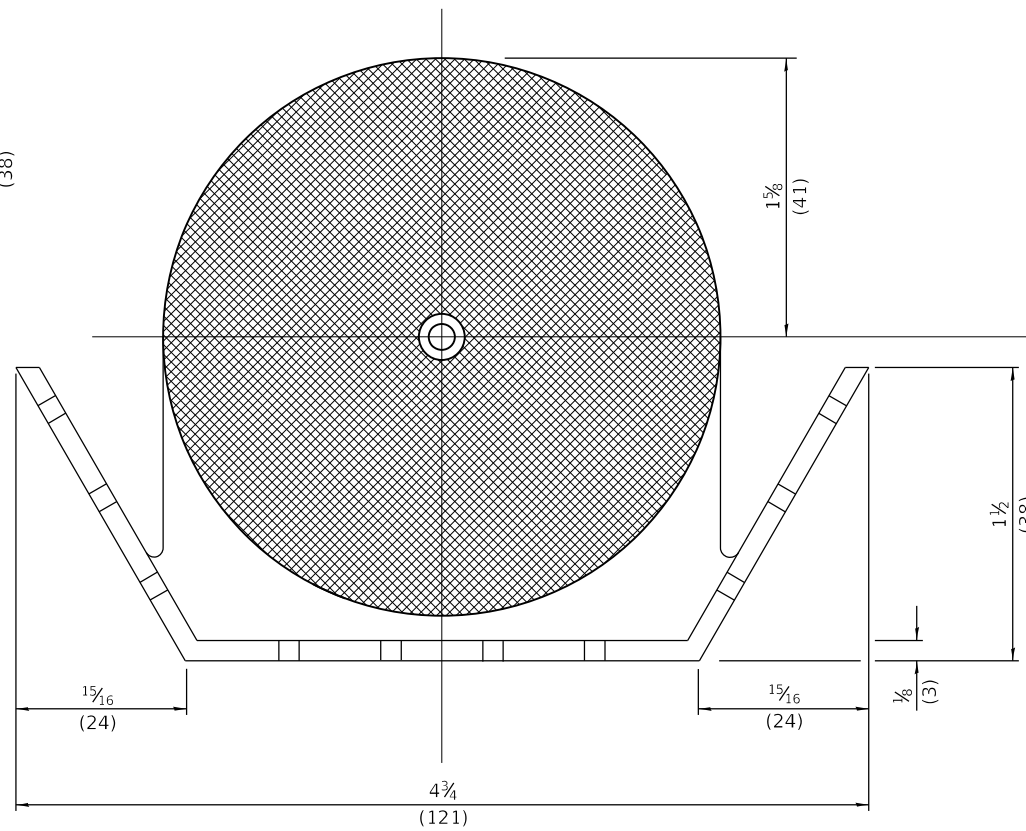


REFLECTOR TYPE A
(monodirectional shown)



Adhesive weep slots or holes
equally spaced on both sides



All dimensions are in inches (millimeters)
unless otherwise shown.

REFLECTOR TYPE B
(bidirectional shown)

DATE	REVISIONS
1-1-20	Revised from F-shape to constant slope parapet, revised note 3 on sht. 3, and fixed typo.
4-1-16	Added reflector spacing detail. Moved TERMINAL MARKER to std. 725001.

**GUARDRAIL AND
BARRIER WALL REFLECTOR
MOUNTING DETAILS**

(Sheet 1 of 3)

STANDARD 782006-01

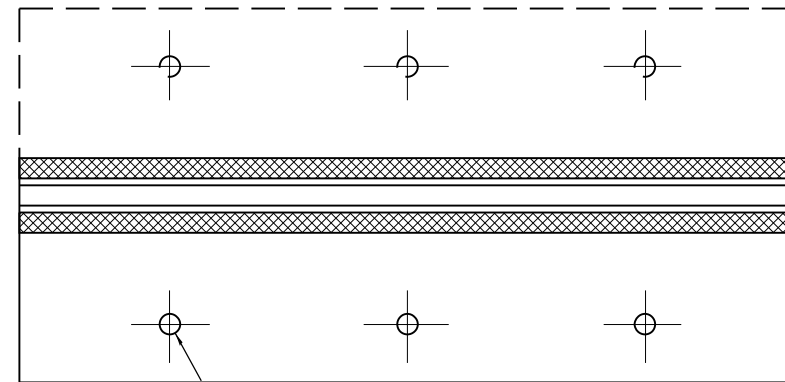
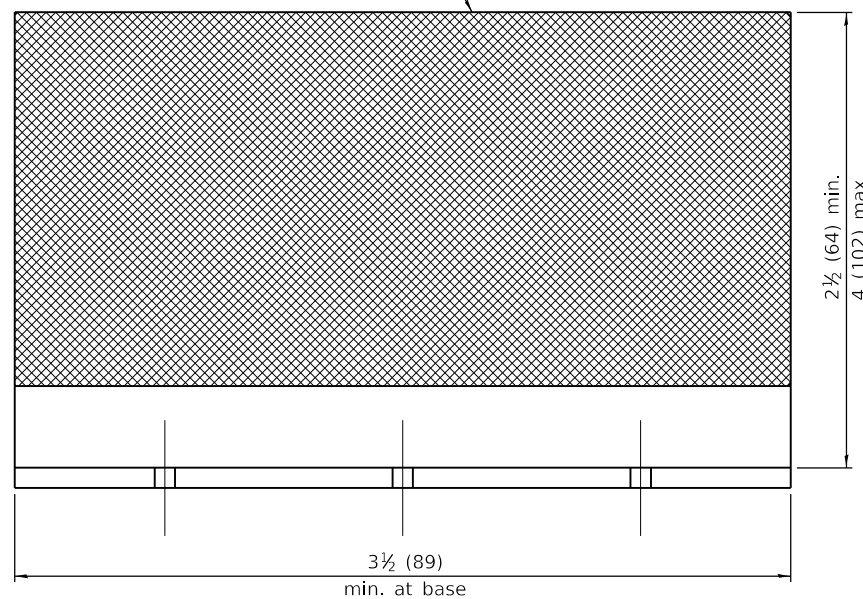
Illinois Department of Transportation

PASSED January 1, 2020
Amy Allen
ENGINEER OF OPERATIONS

APPROVED January 1, 2020
Joe E. ...
ENGINEER OF DESIGN AND ENVIRONMENT

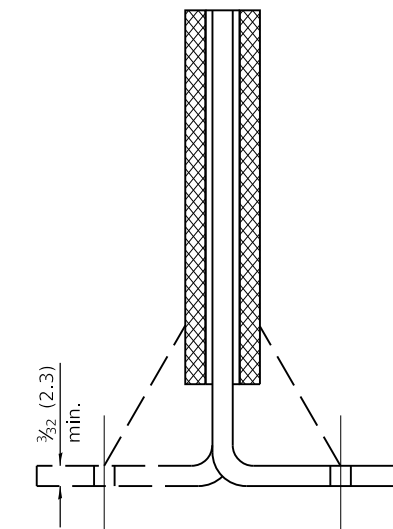
ISSUED 1-1-2000

Reflective area. May be rectangular or slight trapezoid.



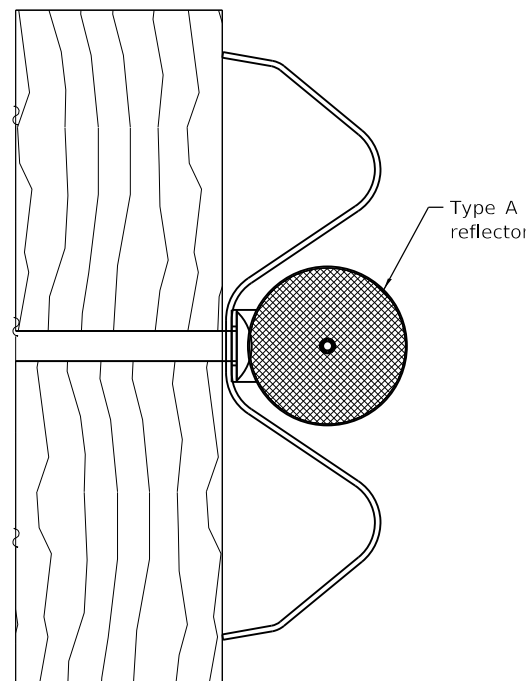
3 min. adhesive weep holes or slots each side, variable spacing.

Minimum total area of base 7.0 sq. in. (4,516 mm²)

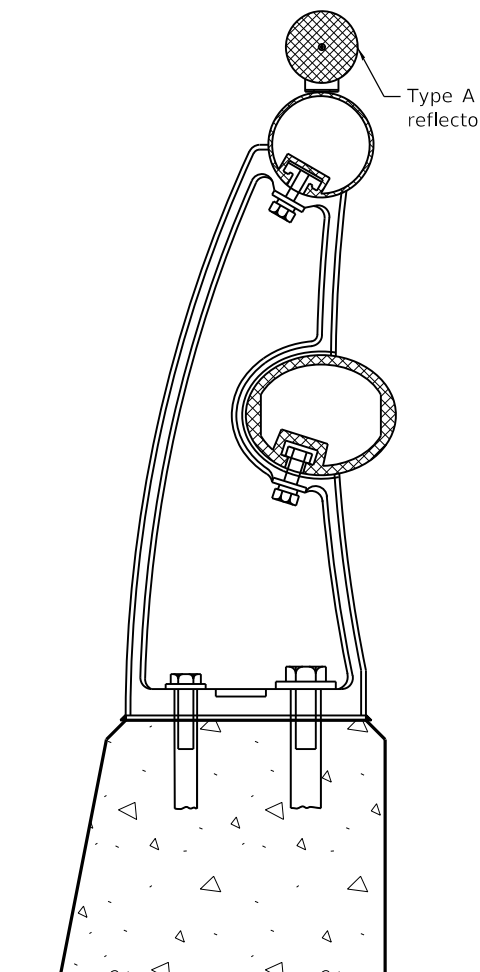
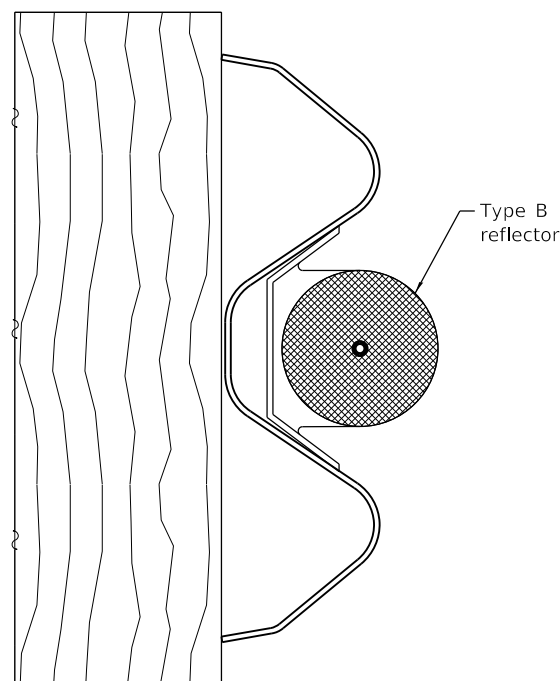


Cross section may be "T" or "L" shaped and may have side supports at ends.

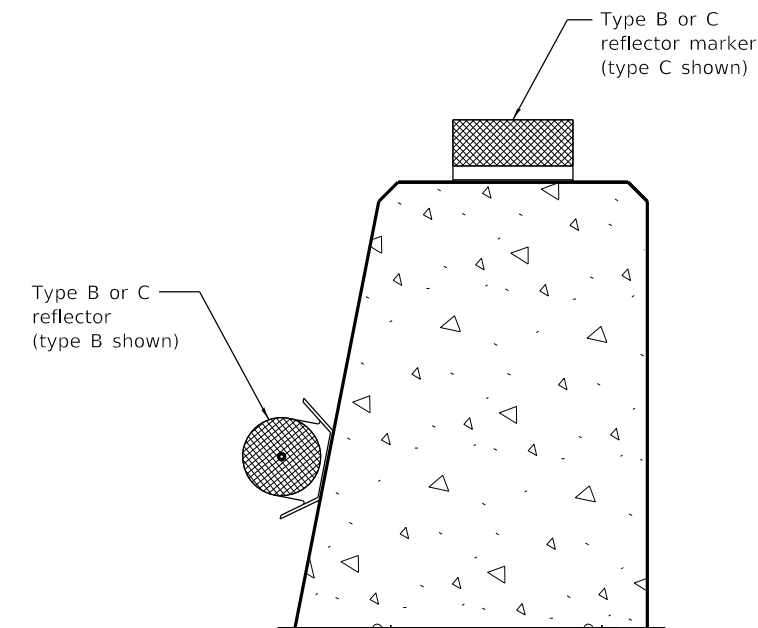
REFLECTOR TYPE C



TYPICAL MOUNTING DETAIL FOR GUARDRAIL REFLECTOR



TYPICAL MOUNTING DETAIL FOR BRIDGE RAIL REFLECTOR



TYPICAL MOUNTING DETAIL FOR BARRIER WALL REFLECTOR

Illinois Department of Transportation

PASSED January 1, 2020
Amy Allen
ENGINEER OF OPERATIONS

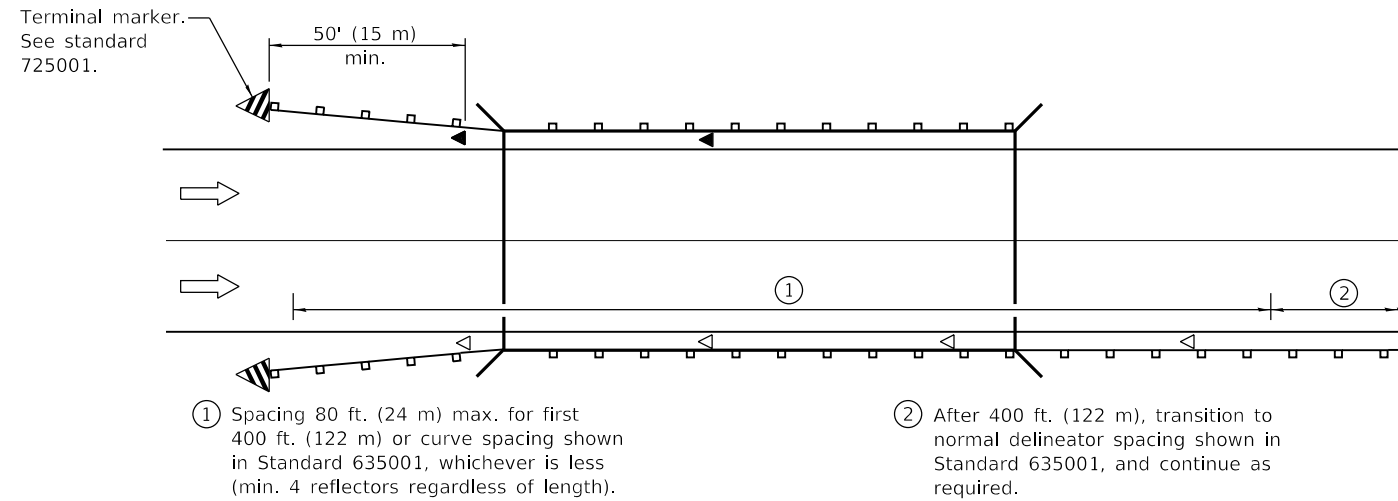
APPROVED January 1, 2020
Joe E. ...
ENGINEER OF DESIGN AND ENVIRONMENT

ISSUED 1-1-2000

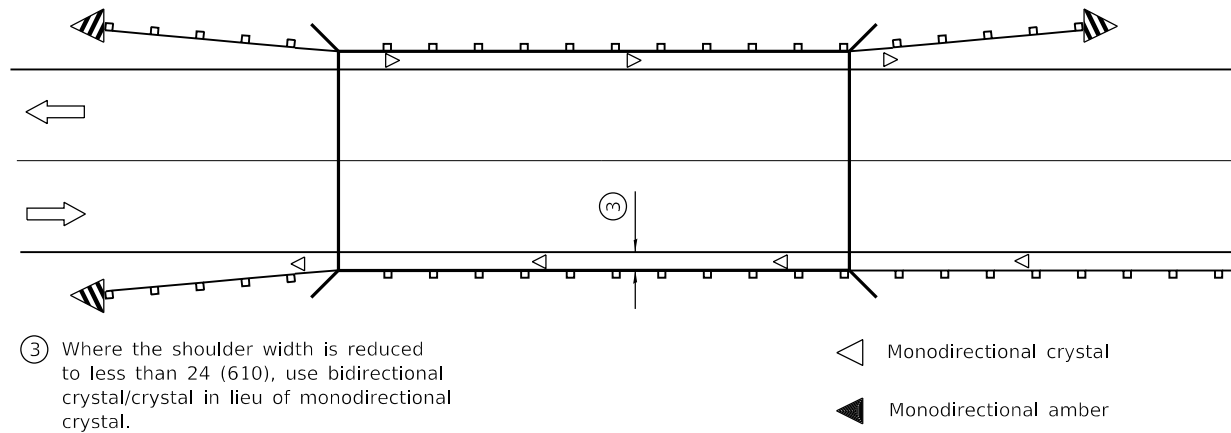
GUARDRAIL AND BARRIER WALL REFLECTOR MOUNTING DETAILS

(Sheet 2 of 3)

STANDARD 782006-01



ONE-WAY TRAFFIC



TWO-WAY TRAFFIC

GUARDRAIL / BARRIER WALL
REFLECTOR PLACEMENT DETAIL

Illinois Department of Transportation

PASSED January 1, 2020

Amy Allen
ENGINEER OF OPERATIONS

APPROVED January 1, 2020

J. E. ...
ENGINEER OF DESIGN AND ENVIRONMENT

ISSUED 1-1-2000

**GUARDRAIL AND
BARRIER WALL REFLECTOR
MOUNTING DETAILS**

(Sheet 3 of 3)

STANDARD 782006-01