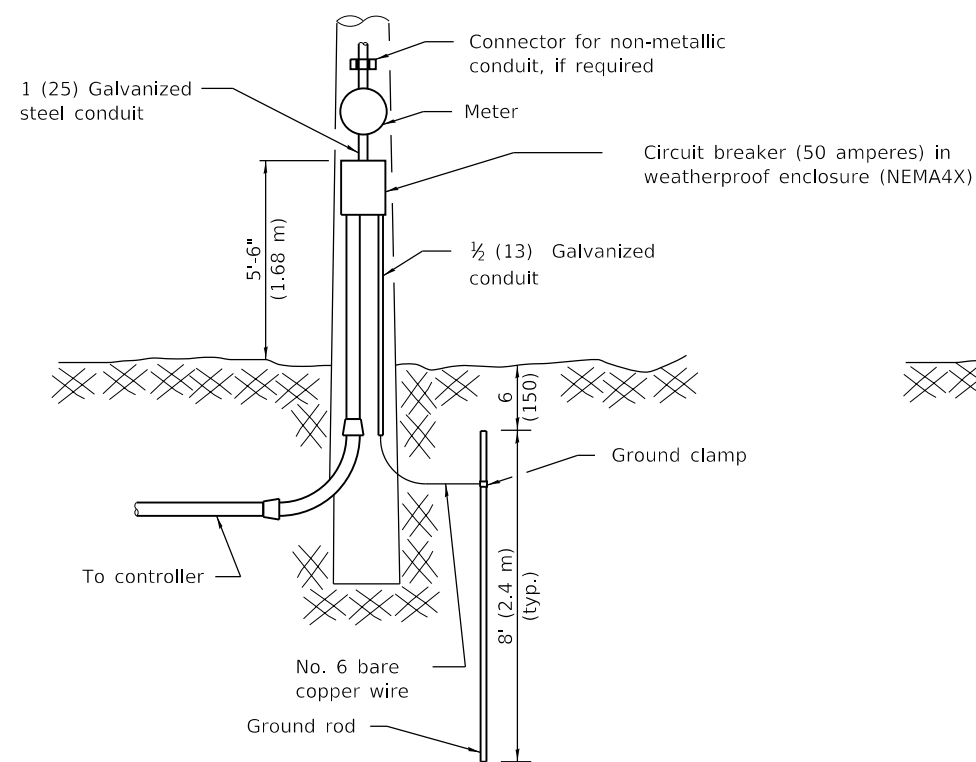
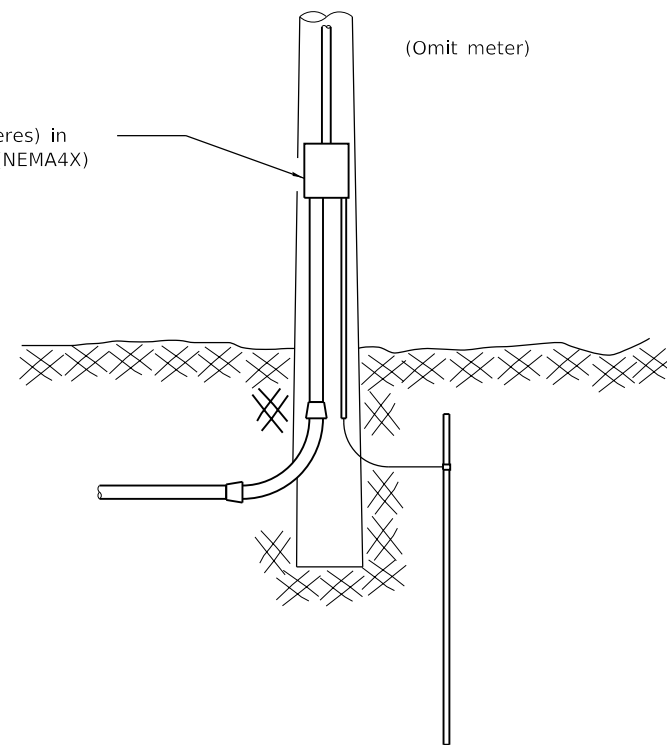


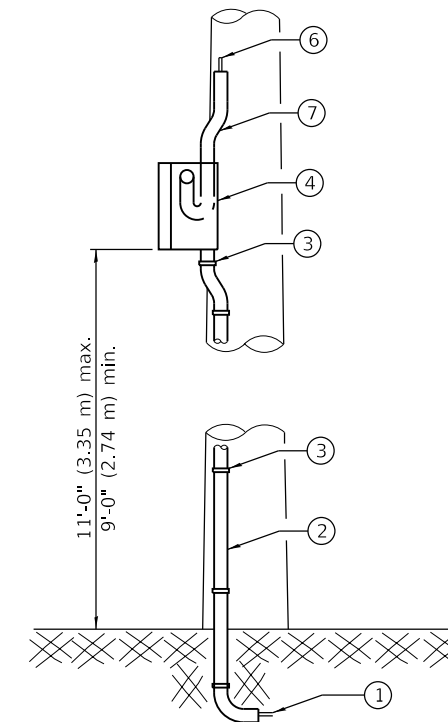
Except for the changes noted below, details for TYPE A and TYPE B service installations shall correspond.



TYPE A



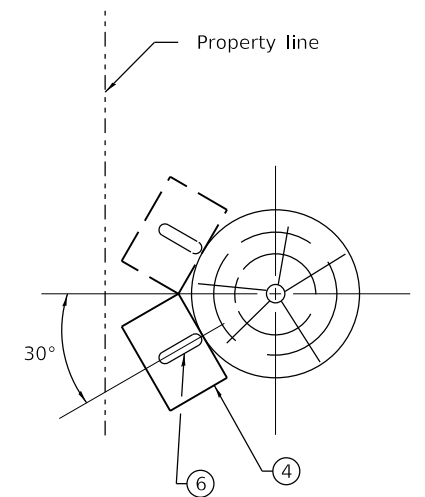
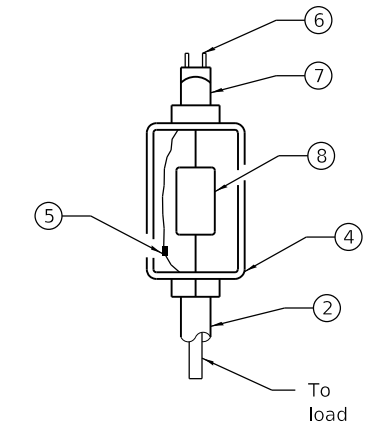
TYPE B



The following equipment is to be furnished and installed on the TYPE C installation.

- ① Cable in conduit (electric cable, No. 6, 2/C except where otherwise specified)
- ② Galvanized steel conduit 1 1/4 (32) with bend
- ③ Galvanized conduit clamps
- ④ Aluminum weatherproof box with gasketed cover. Weatherproof box shall be installed facing the adjacent property line. (See diagram for alternate installation.)
- ⑤ Ground stud for neutral connection
- ⑥ Service cables
- ⑦ Offset weatherproof fitting
- ⑧ Circuit breaker

TYPE C



ALTERNATE INSTALLATION

(Installation when weatherproof box cannot be installed facing the adjacent property line.)

All dimensions are in inches (millimeters) unless otherwise shown.

Illinois Department of Transportation

PASSED January 1, 2009

ENGINEER OF OPERATIONS

APPROVED January 1, 2009

ENGINEER OF DESIGN AND ENVIRONMENT

ISSUED 1-1-02

DATE	REVISIONS
1-1-09	Switched units to English (metric).
1-1-02	Renum. Standard 2373-1.

ELECTRICAL SERVICE INSTALLATION DETAILS

STANDARD 805001-01