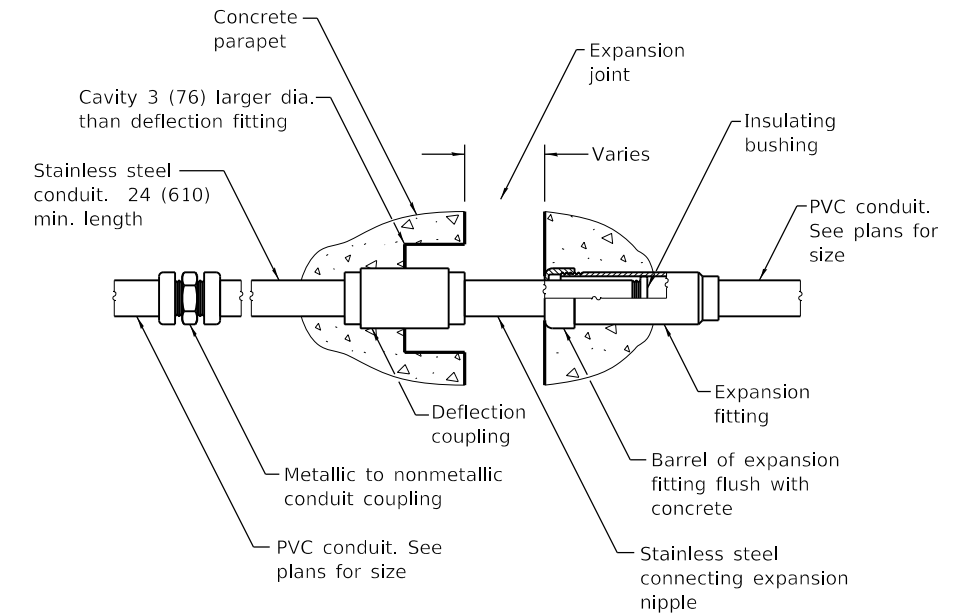
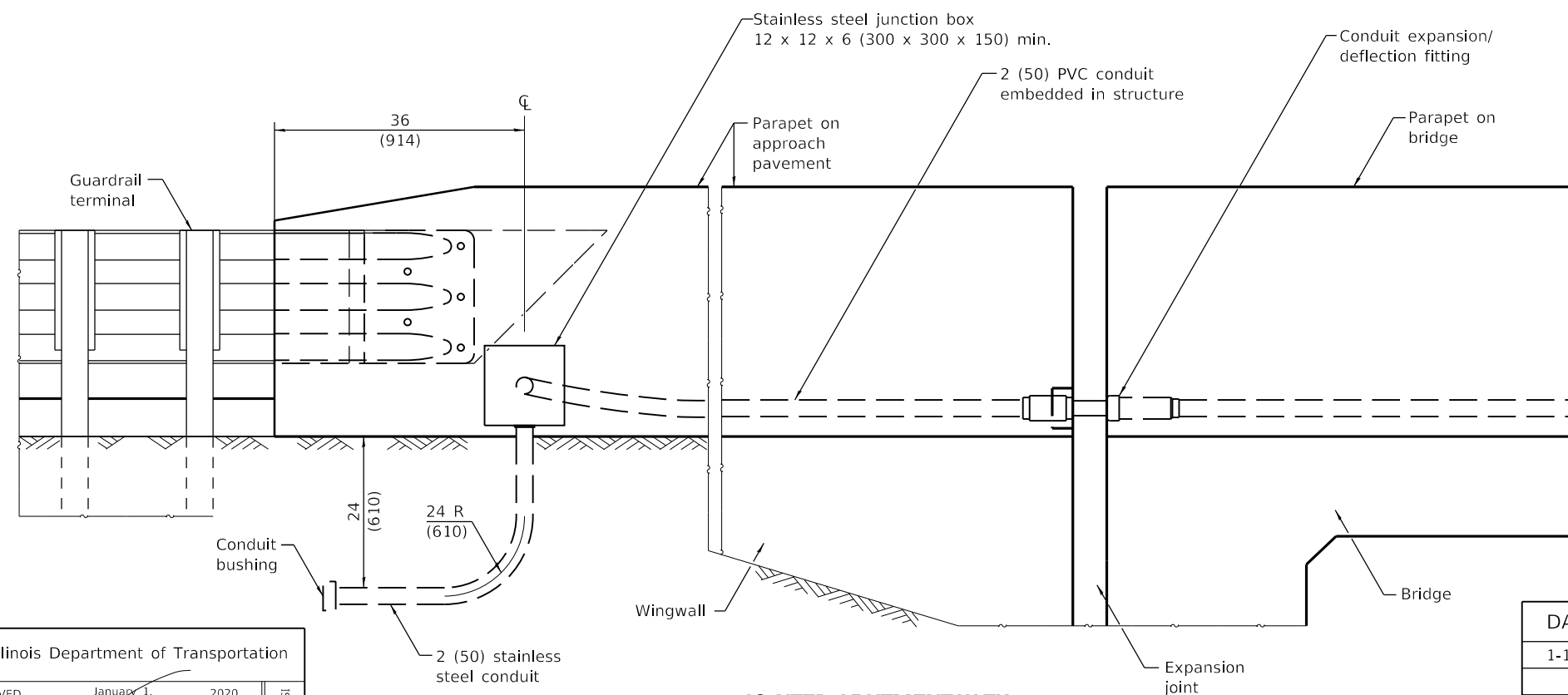


**INTEGRAL/SEMI-INTEGRAL ABUTMENT WITH  
PARAPET ON APPROACH PAVEMENT**



**COMBINATION EXPANSION/ DEFLECTION FITTING**



**JOINTED ABUTMENT WITH  
PARAPET ON APPROACH PAVEMENT**

**GENERAL NOTES**

The barrel in the expansion fitting shall be fully embedded in the concrete on one side of the expansion joint. One half the length of the deflection fitting shall be embedded in the concrete on the other side of the expansion joint.

The Contractor shall install combination expansion deflection fittings at all bridge expansion joints.

With the approval of the Engineer, the Contractor may substitute two 12 x 12 x 6 (300 x 300 x 150) min. stainless steel junction boxes attached to back of wall and connected with liquidtight flexible nonmetallic conduit for all expansion joints.

See Standard 631031 for details of steel connector plate for constant slope parapet.

All dimensions are in inches (millimeters) unless otherwise shown.

DATE	REVISIONS
1-1-20	Revised from F-Shape to constant slope parapet, added general note for steel connector plate, revised standard name, and fixed typo.
1-1-15	New standard.

**RACEWAYS EMBEDDED  
IN STRUCTURE**

(Sheet 1 of 3)

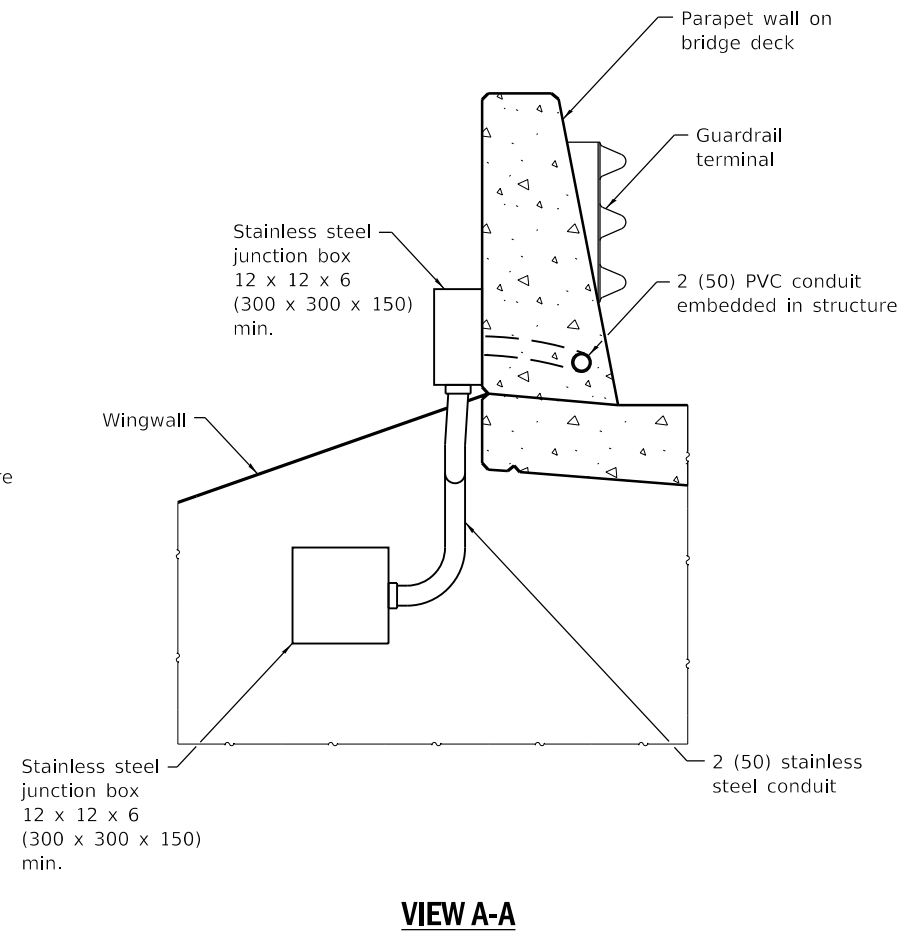
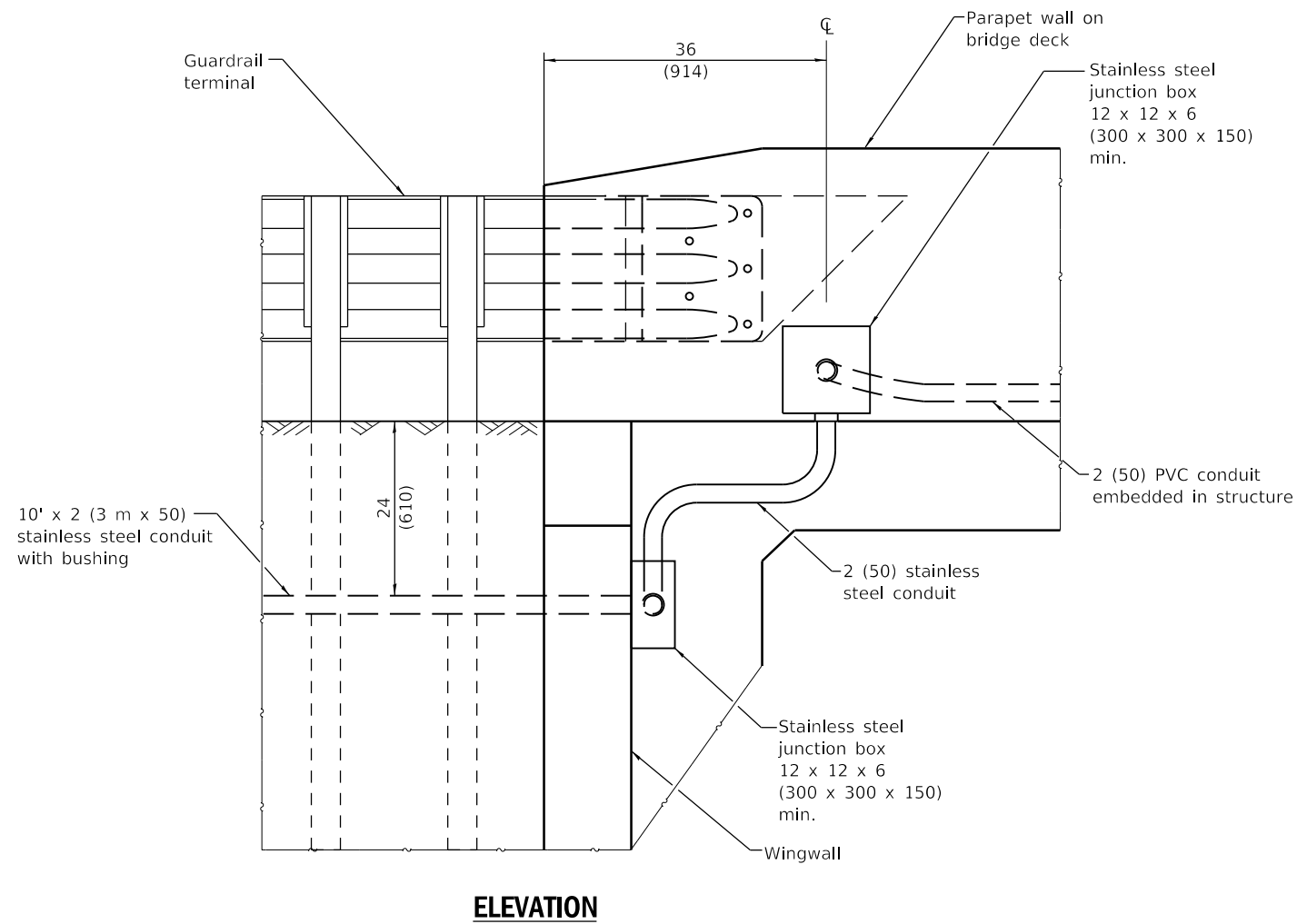
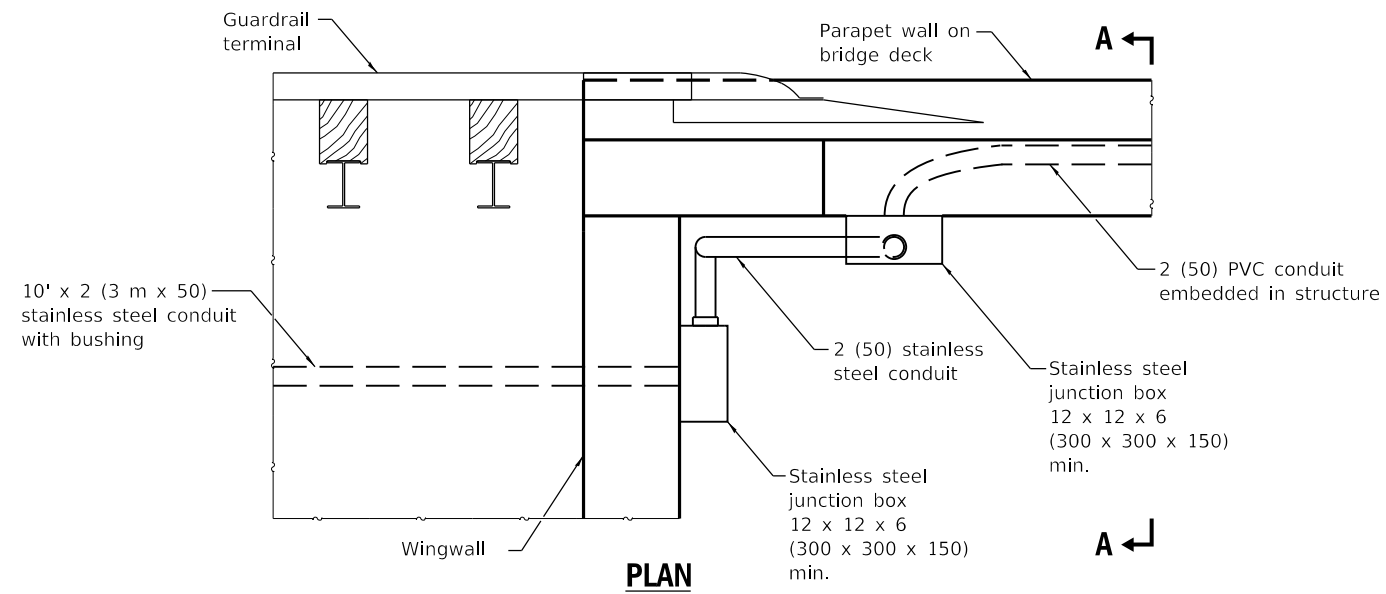
**STANDARD 812001-01**

Illinois Department of Transportation

APPROVED January 1, 2020  
*ME Reppelt*  
ELECTRICAL AND MECHANICAL UNIT CHIEF

APPROVED January 1, 2020  
*J. E. ...*  
ENGINEER OF DESIGN AND ENVIRONMENT

ISSUED 1-1-15



**INTEGRAL/SEMI-INTEGRAL ABUTMENT WITH  
PARAPET ENDING ON BRIDGE DECK**

**RACEWAYS EMBEDDED  
IN STRUCTURE**

(Sheet 2 of 3)

**STANDARD 812001-01**

Illinois Department of Transportation

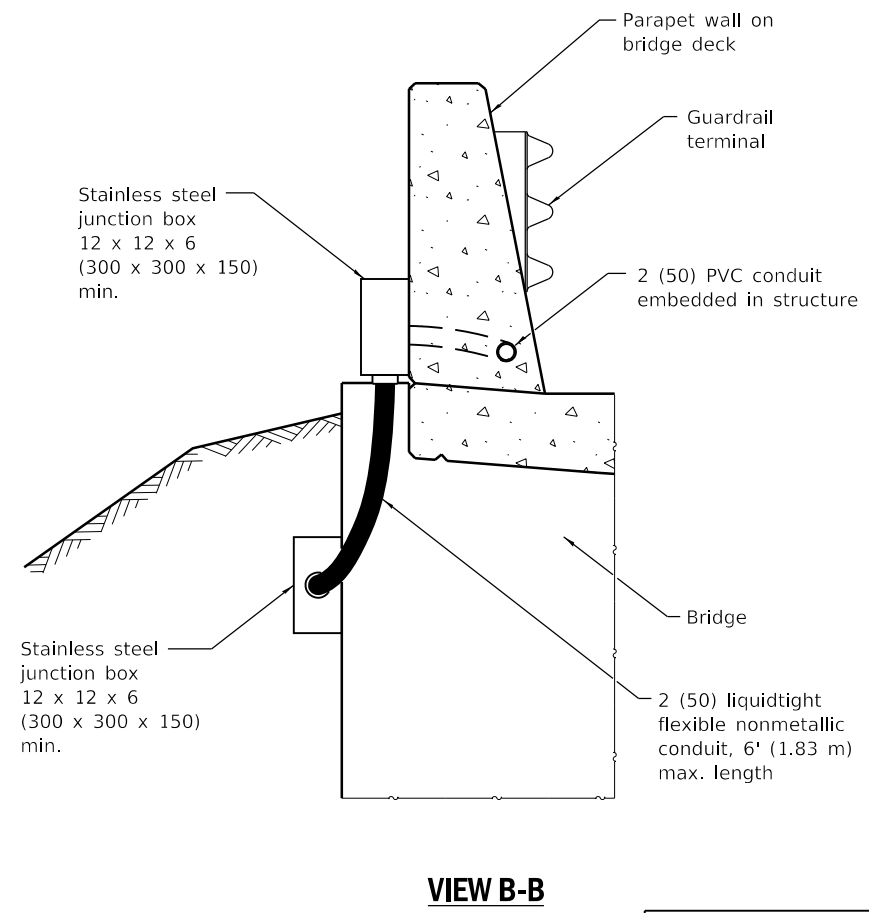
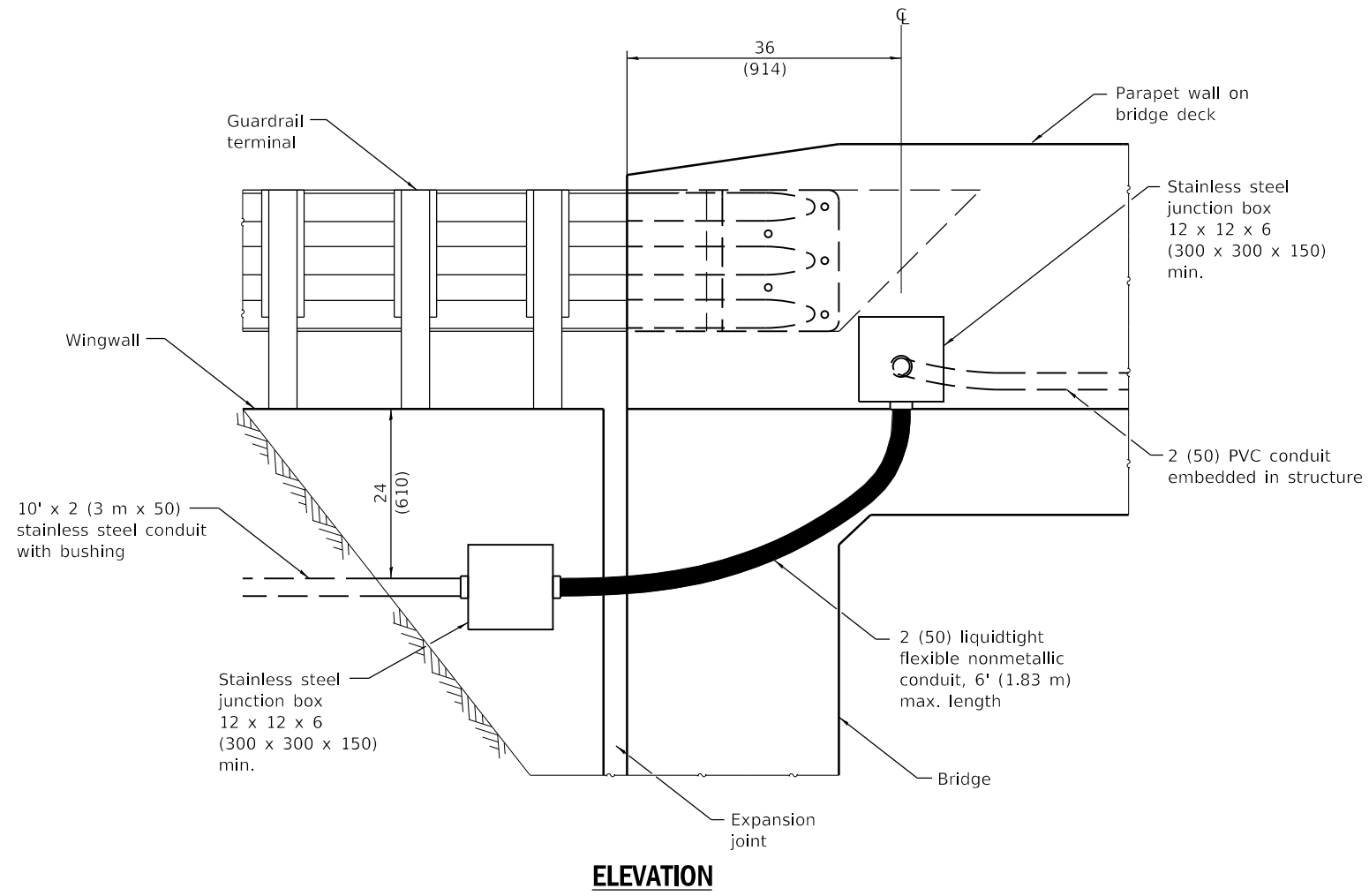
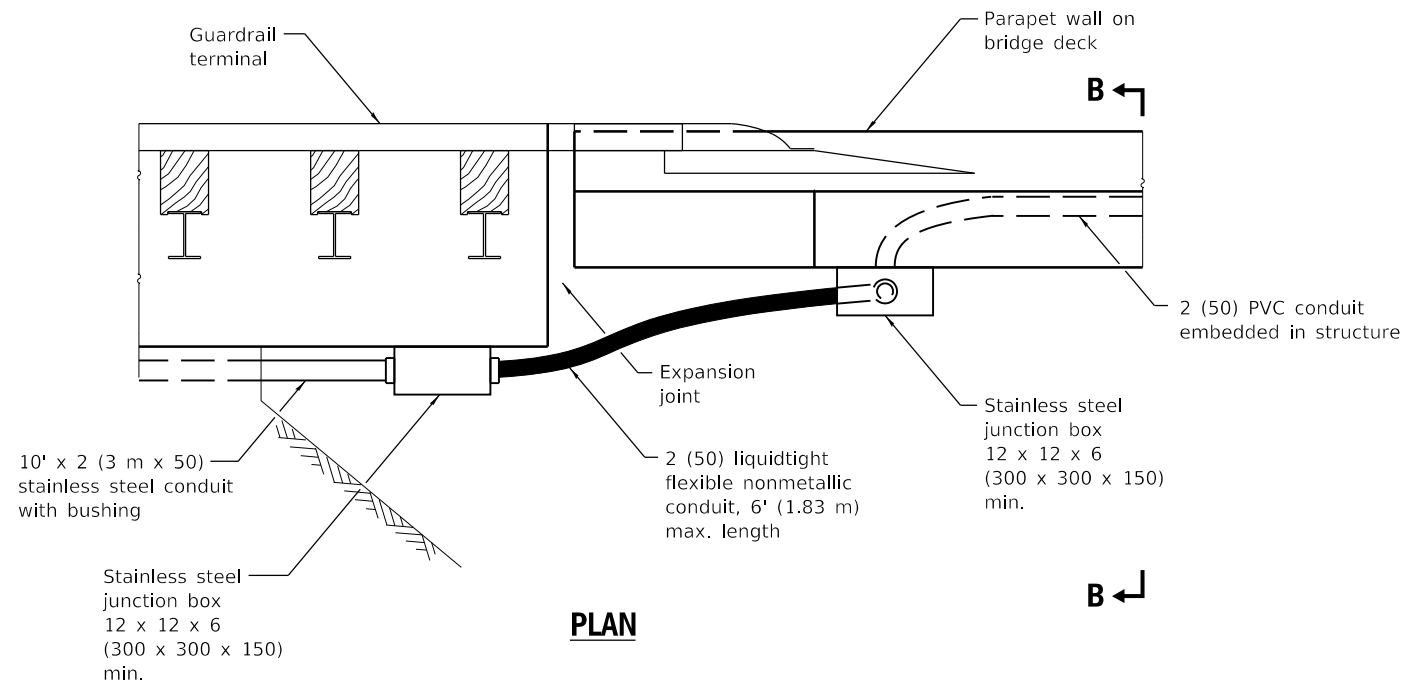
APPROVED January 1, 2020

*ME Reppelt*  
ELECTRICAL AND MECHANICAL UNIT CHIEF

APPROVED January 1, 2020

*J. E. ...*  
ENGINEER OF DESIGN AND ENVIRONMENT

ISSUED 1-1-15



**JOINTED ABUTMENT WITH  
PARAPET ENDING ON BRIDGE DECK**

**RACEWAYS EMBEDDED  
IN STRUCTURE**

(Sheet 3 of 3)

**STANDARD 812001-01**

Illinois Department of Transportation

APPROVED January 1, 2020

*M. E. Reppelt*  
ELECTRICAL AND MECHANICAL UNIT CHIEF

APPROVED January 1, 2020

*J. E. ...*  
ENGINEER OF DESIGN AND ENVIRONMENT

ISSUED 1-1-15