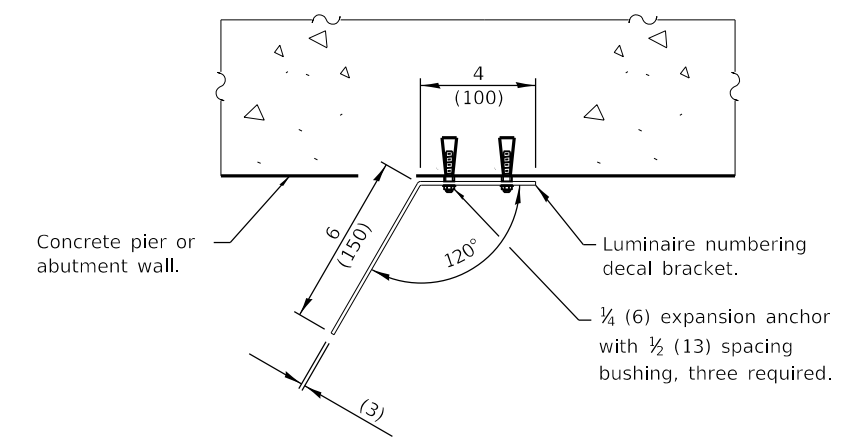
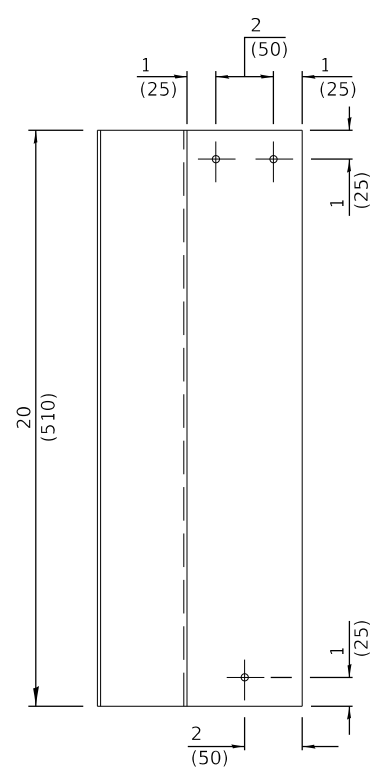


SECTION A-A

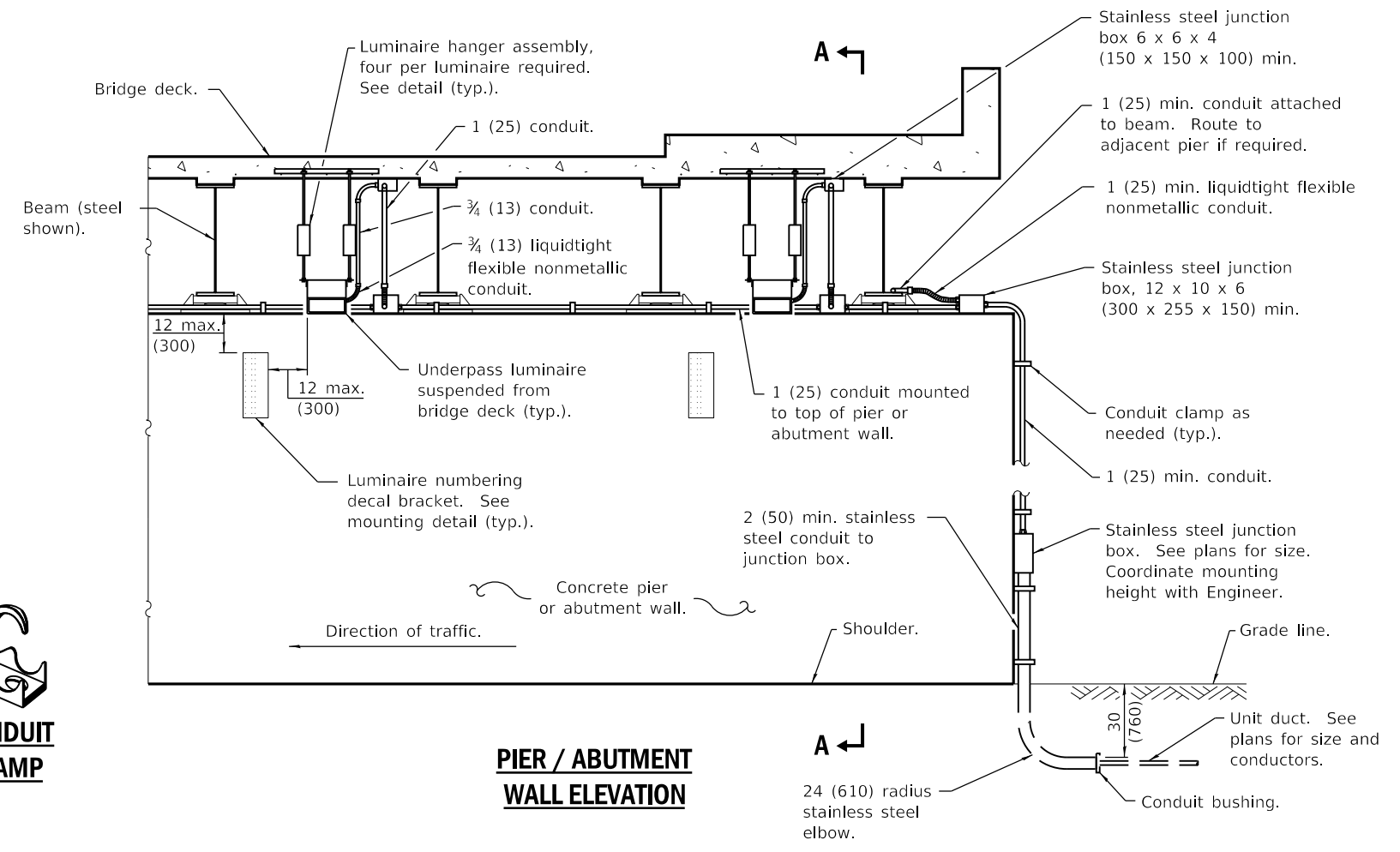
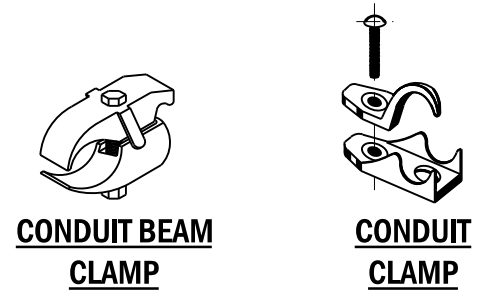


TOP VIEW

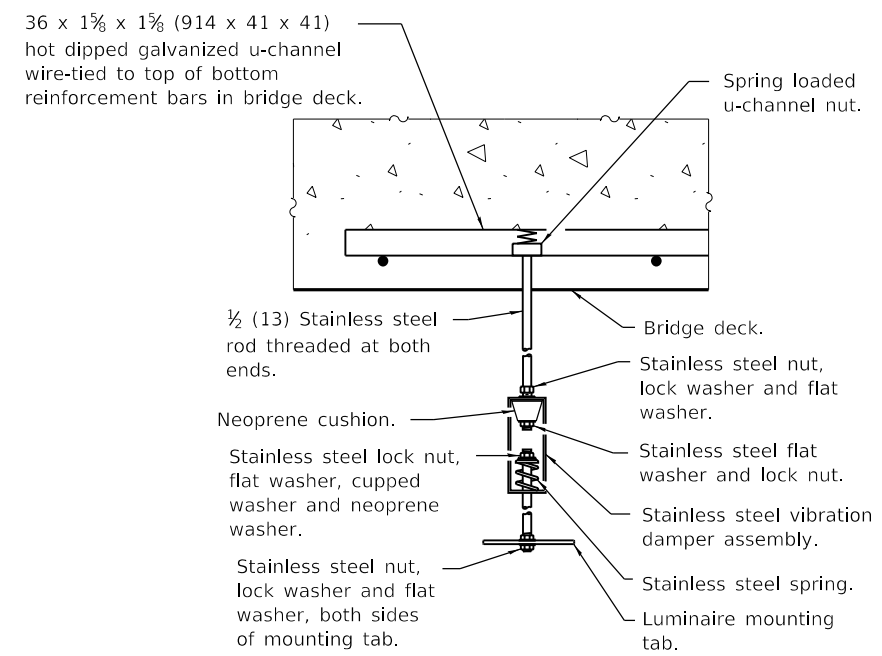


ELEVATION

LUMINAIRE NUMBERING DECAL BRACKET MOUNTING DETAIL



PIER / ABUTMENT WALL ELEVATION



LUMINAIRE HANGER ASSEMBLY DETAIL

GENERAL NOTES

- See plans for underpass luminaire locations.
- Underpass luminaires shall be centered between beams unless otherwise directed by the Engineer.
- Optics of underpass luminaires shall be installed 1 (25) above the bottom of the beams with no parts of the luminaire or attached conduit below the beams.
- Rigid conduit may be used in lieu of flexible conduit.
- Stainless steel conduit shall be used beneath any openings in the bridge deck.
- Branch circuits to luminaires shown routed from underground. Branch circuits may also be routed from bridge parapet above.
- All dimensions are in inches (millimeters) unless otherwise shown.

Illinois Department of Transportation

PASSED April 1, 2016

ENGINEER OF PRELIMINARY ENGINEERING

APPROVED April 1, 2016

ENGINEER OF DESIGN AND ENVIRONMENT

ISSUED 1-1-16

DATE	REVISIONS
4-1-16	New standard.

UNDERPASS LIGHTING SUSPENDED

STANDARD 821006