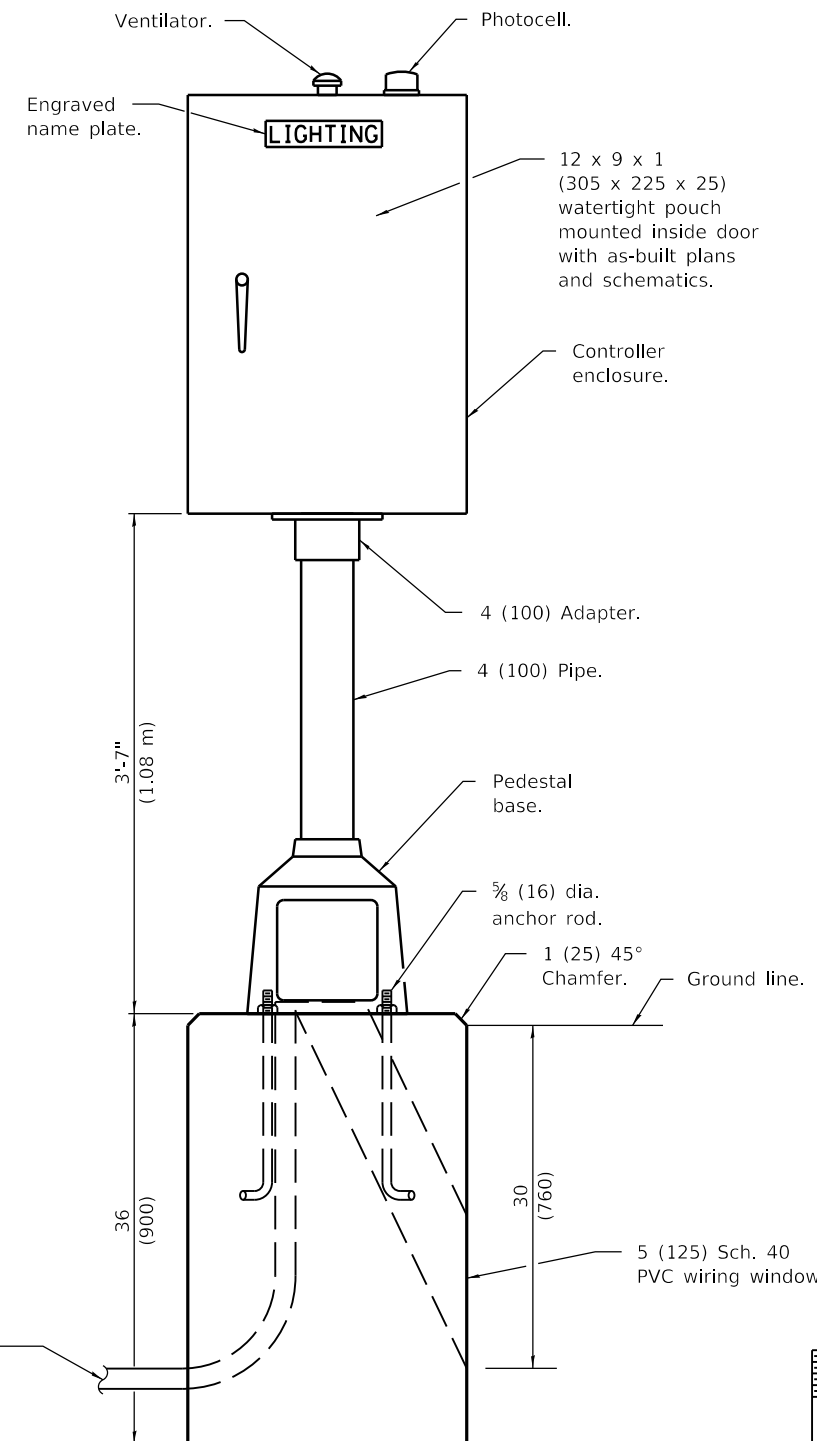
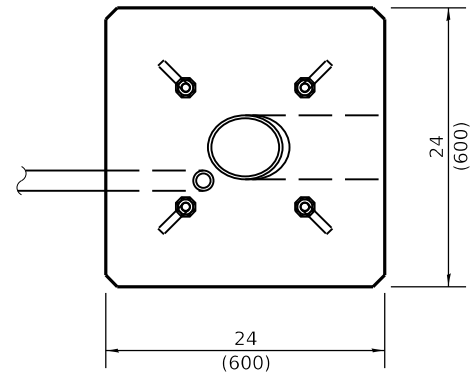


ELECTRIC SERVICE INSTALLATION

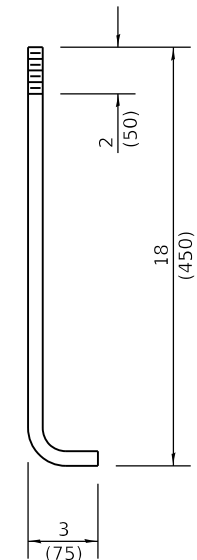
(Typical overhead service shown. Cut pole off for underground service and treat cut surface with preservative. Consult utility company standards for exact requirements.)
 *Size larger as needed.
 **When cold sequencing is required, provide a meter disconnect switch as directed by Utility Company.



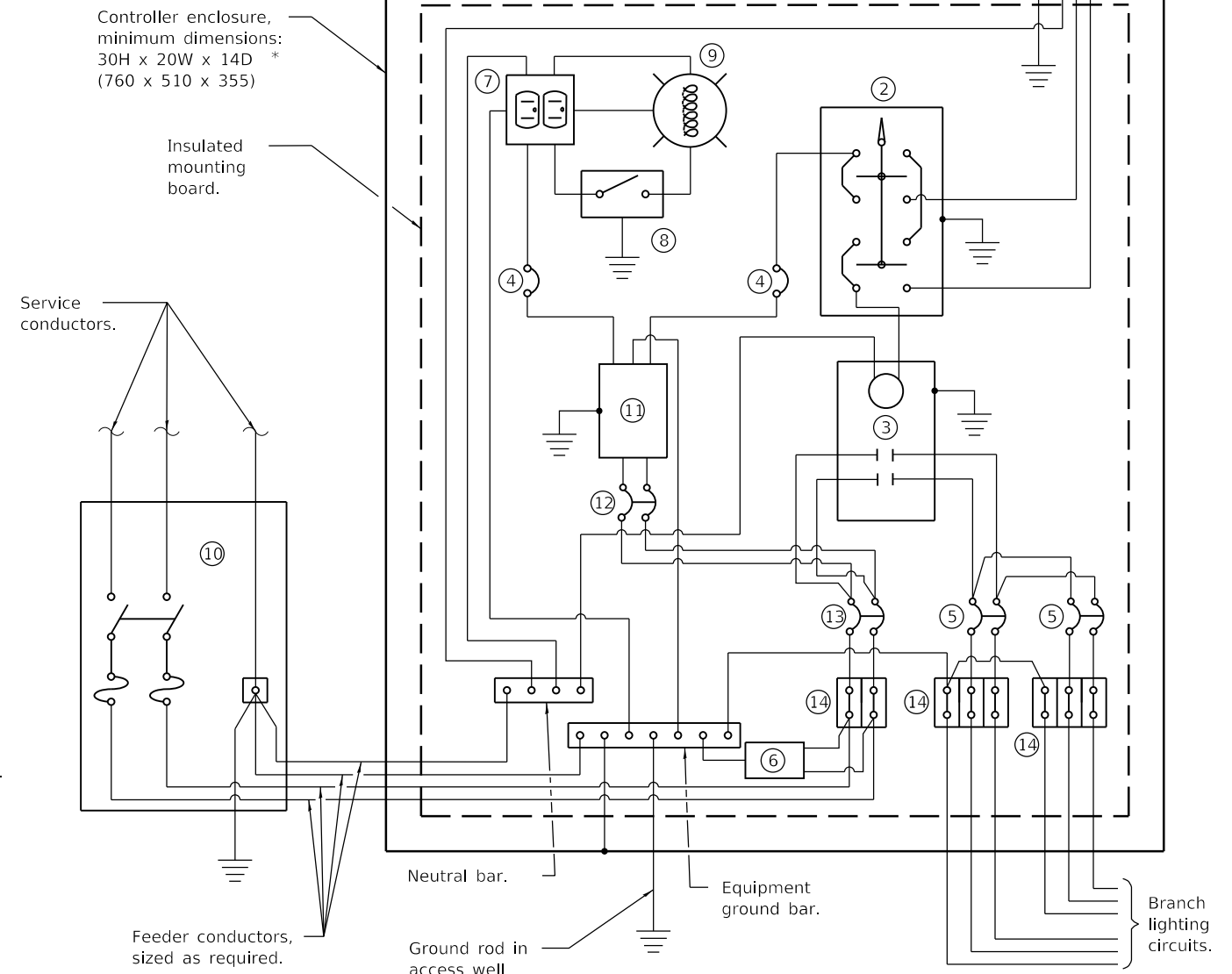
LIGHTING CONTROLLER



FOUNDATION (PLAN)
(Work pad not shown.)



ANCHOR ROD DETAIL



CONTROL SCHEMATIC

- ① Photocell with integral surge arrester.
- ② HAND-OFF-AUTO selector switch.
- ③ 100 amp*, electrically held contactor.
- ④ 15 amp, 1-pole circuit breaker.
- ⑤ 20 amp*, 2-pole circuit breaker (two spares required but not shown).
- ⑥ Surge arrester.
- ⑦ GFCI duplex receptacle.
- ⑧ Single-pole, single-throw switch.
- ⑨ Incandescent luminaire, enclosed and gasketed with 100 watt lamp.
- ⑩ Service disconnect switch - 2-pole, 3-wire, 60 amp*, fused at 60 amp*, solid neutral in NEMA 4X enclosure having lockable external handle.
- ⑪ Transformer - 1KVA*, 480V primary, 120/240V secondary, single-phase, 60Hz.
- ⑫ 15 amp, 2-pole circuit breaker.
- ⑬ 60 amp*, 2-pole circuit breaker.
- ⑭ Terminal block sized for conductors as shown on plans.

* Size larger as needed.

All dimensions are in inches (millimeters) unless otherwise shown.

DATE	REVISIONS
1-1-19	Replaced ** note with new note regarding utility company standards. Made *** the ** note.
1-1-15	Added note ⑭.

**LIGHTING CONTROLLER
PEDESTAL MOUNTED, 480V**

STANDARD 825016-04

Illinois Department of Transportation
 PASSED January 1, 2019
 ME Reppelt
 ELECTRICAL AND MECHANICAL UNIT CHIEF
 APPROVED January 1, 2019
 S. E. C. E.
 ENGINEER OF DESIGN AND ENVIRONMENT
 ISSUED 1-1-19