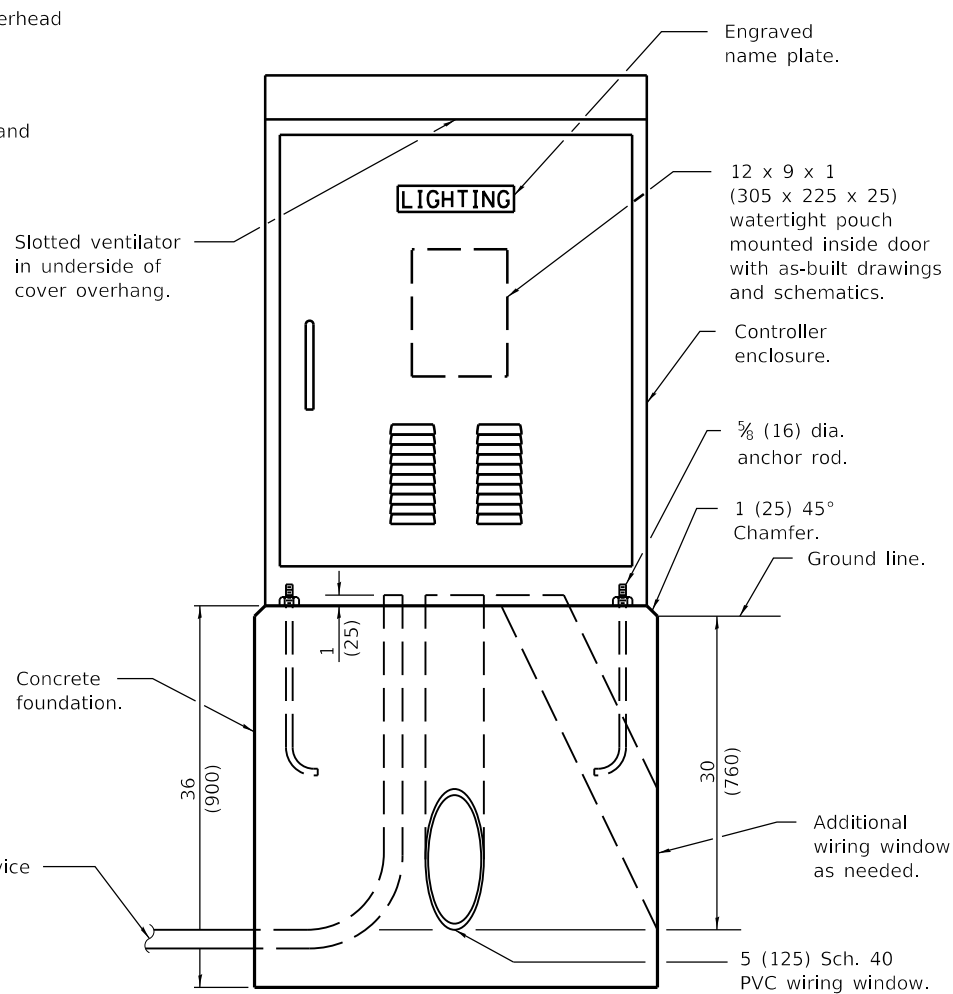


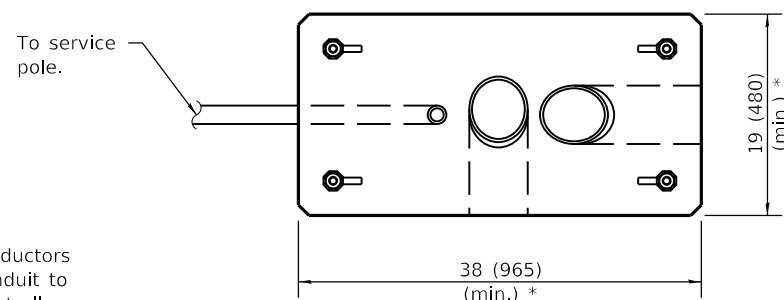
**ELECTRIC SERVICE INSTALLATION**

(Typical overhead service shown. Cut pole off for underground service and treat cut surface with preservative. Consult utility company standards for exact requirements.)

\* Size larger as needed.

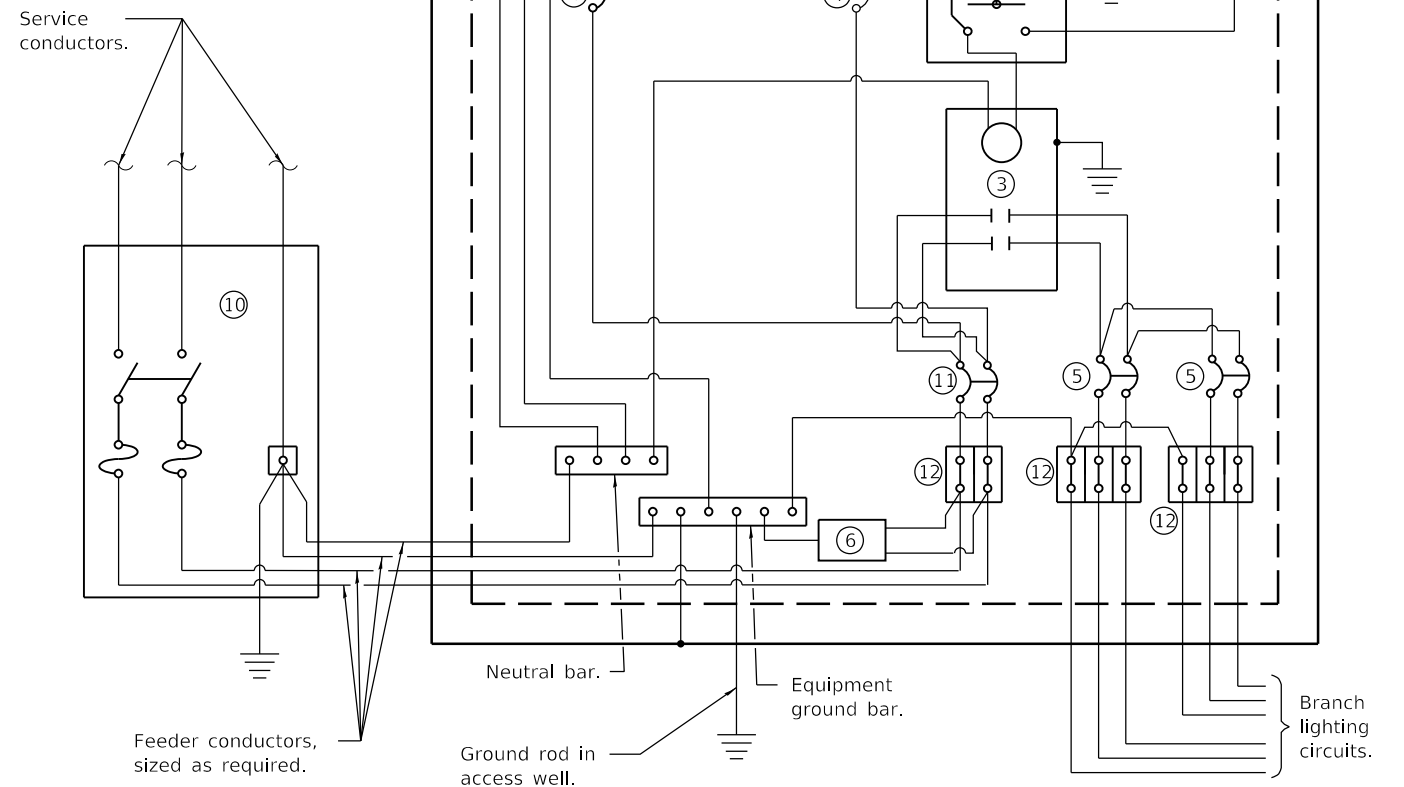


**LIGHTING CONTROLLER**



**FOUNDATION (PLAN)**

(Work pad not shown.)

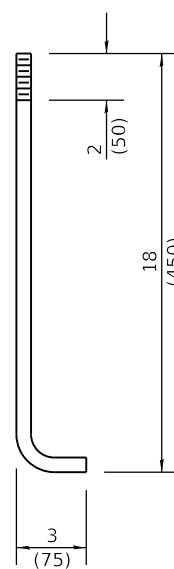


**CONTROL SCHEMATIC**

- ① Photocell with integral surge arrester.
- ② HAND-OFF-AUTO selector switch.
- ③ 100 amp\*, electrically held contactor.
- ④ 15 amp, 1-pole circuit breaker.
- ⑤ 20 amp\*, 2-pole circuit breaker (two spares required but not shown).
- ⑥ Surge arrester.
- ⑦ GFCI duplex receptacle.
- ⑧ Single-pole, single-throw switch.
- ⑨ Incandescent luminaire, enclosed and gasketed with 100 watt lamp.
- ⑩ Service disconnect switch - 2-pole, 3-wire, 100 amp\*, fused at 100 amp\*, solid neutral in NEMA 4X enclosure having lockable external handle.
- ⑪ 100 amp\*, 2-pole circuit breaker.
- ⑫ Terminal block sized for conductors as shown on plans.

\* Size larger as needed.

All dimensions are in inches (millimeters) unless otherwise shown.



**ANCHOR ROD DETAIL**

DATE	REVISIONS
1-1-19	Replaced ** note with new note regarding consulting utility company standards for installation.
1-1-15	Added note ⑫.

**LIGHTING CONTROLLER  
BASE MOUNTED, 240V**

**STANDARD 825021-04**

Illinois Department of Transportation

PASSED January 1, 2019

*ME Reppelt*  
ELECTRICAL AND MECHANICAL UNIT CHIEF

APPROVED January 1, 2019

*J. E. ...*  
ENGINEER OF DESIGN AND ENVIRONMENT

ISSUED 01-1-19