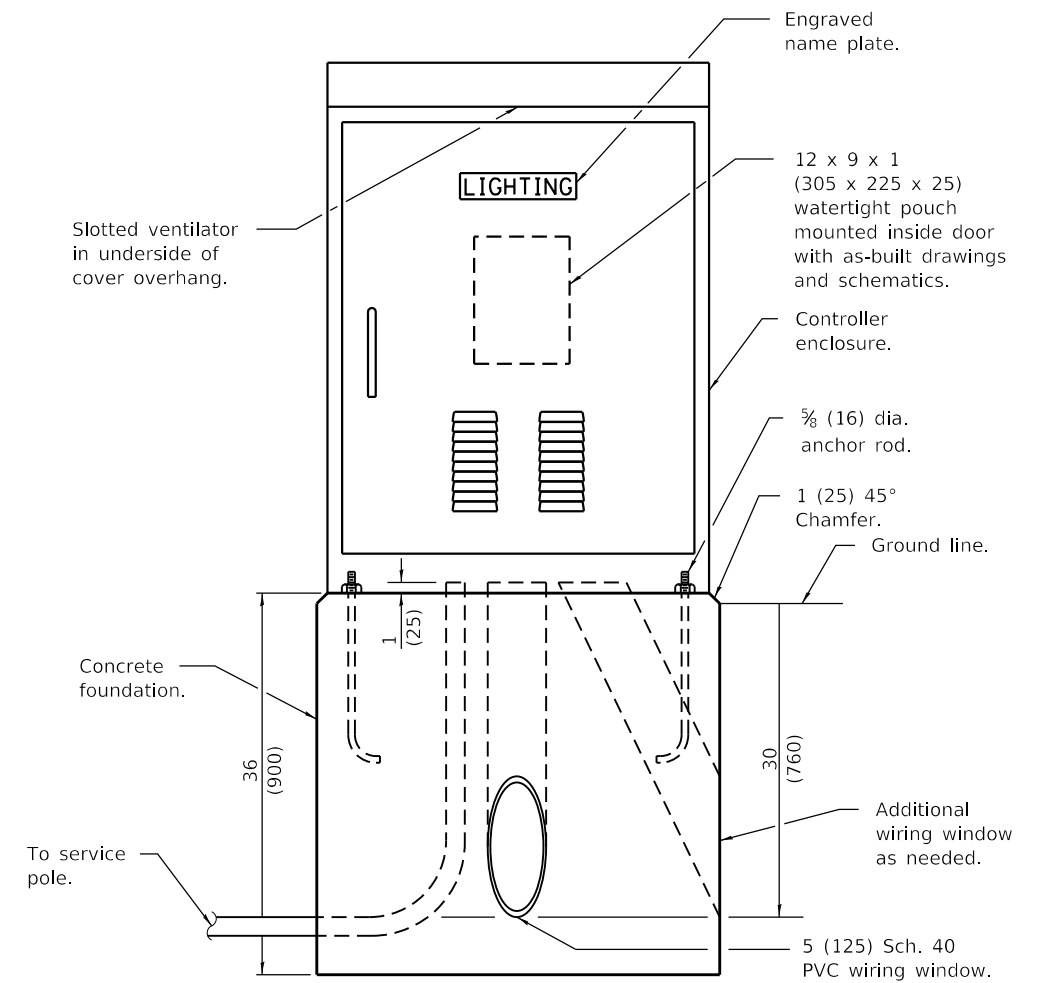


**ELECTRIC SERVICE INSTALLATION**

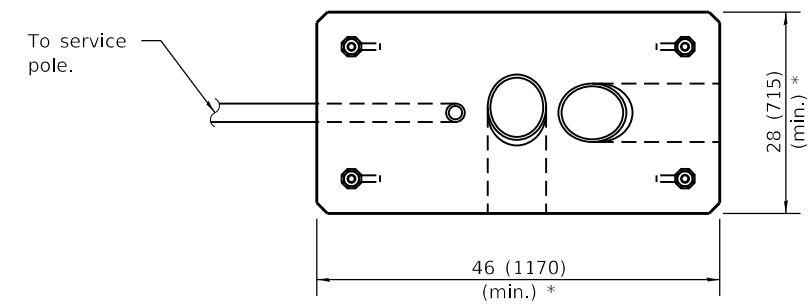
(Typical overhead service shown. Cut pole off for underground service and treat cut surface with preservative. Consult utility company standards for exact requirements.)

\* Size larger as needed.

\*\* When cold sequencing is required, provide a meter disconnect switch as directed by Utility Company.

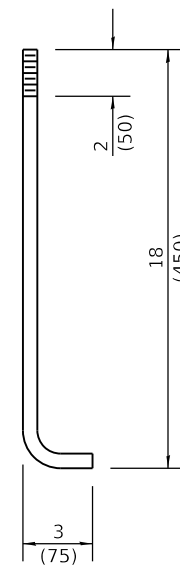


**LIGHTING CONTROLLER**



**FOUNDATION (PLAN)**

(Work pad not shown.)



**ANCHOR ROD DETAIL**

All dimensions are in inches (millimeters) unless otherwise shown.

DATE	REVISIONS
1-1-22	Replaced "Navigation" with "Obstruction Warning" in std title, note ② and Control Schematic.
1-1-19	Replaced ** note with new note regarding utility company standards. Made *** the ** note.

**OBSTRUCTION WARNING**  
**LIGHTING CONTROLLER, 480V**  
 (Sheet 1 of 2)

**STANDARD 826006-03**

Illinois Department of Transportation

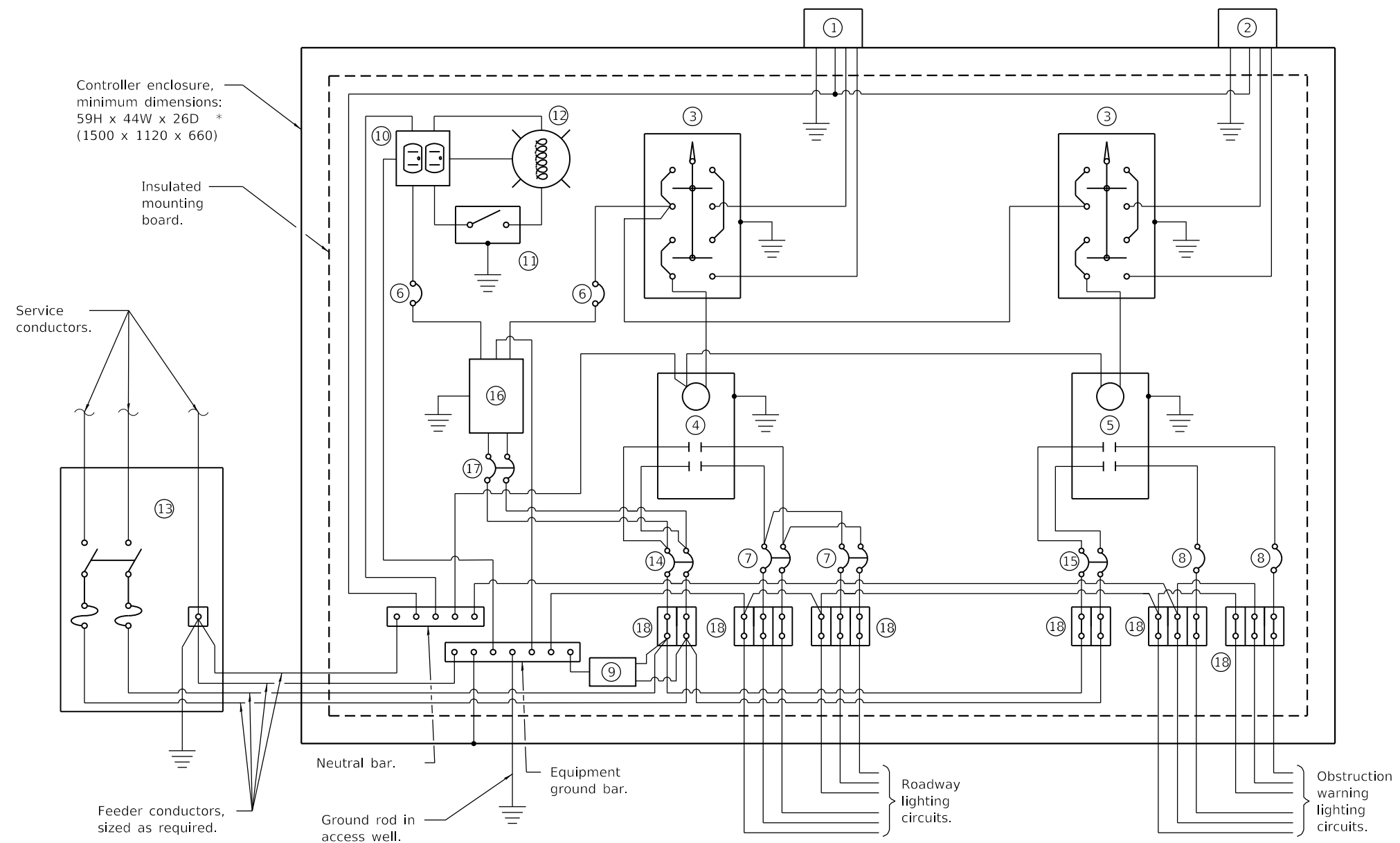
PASSED January 1, 2022

*Bernard A. Griffin*  
 ELECTRICAL AND MECHANICAL UNIT CHIEF

APPROVED January 1, 2022

*John C. ...*  
 ENGINEER OF DESIGN AND ENVIRONMENT

ISSUED 1-1-12



Controller enclosure,  
minimum dimensions:  
59H x 44W x 26D \*  
(1500 x 1120 x 660)

Insulated  
mounting  
board.

Service  
conductors.

Feeder conductors,  
sized as required.

Neutral bar.

Ground rod in  
access well.

Equipment  
ground bar.

Roadway  
lighting  
circuits.

Obstruction  
warning  
lighting  
circuits.

### CONTROL SCHEMATIC

- ① Photocell with integral surge arrester for roadway lighting.
- ② Photocell with integral surge arrester for obstruction warning lighting.
- ③ HAND-OFF-AUTO selector switch.
- ④ 100 amp\*, electrically held contactor.
- ⑤ 60 amp\*, electrically held contactor.
- ⑥ 15 amp, 1-pole circuit breaker.
- ⑦ 20 amp\*, 2-pole circuit breaker (two spares required but not shown).
- ⑧ 20 amp\*, single-pole circuit breaker (two shown, quantity as required).
- ⑨ Surge arrester.
- ⑩ GFCI duplex receptacle.
- ⑪ Single-pole, single-throw switch.
- ⑫ Incandescent luminaire, enclosed and gasketed with 100 watt lamp.
- ⑬ Service disconnect switch - 2-pole, 3-wire, 100 amp\*, fused at 100 amp\*, solid neutral in NEMA 4X enclosure having lockable external handle.
- ⑭ 60 amp\*, 2-pole circuit breaker.
- ⑮ 30 amp\*, 2-pole circuit breaker.
- ⑯ Transformer - 1 KVA\*, 480V primary, 120/240V secondary, single phase, 60 Hz.
- ⑰ 15 amp, 2-pole circuit breaker.
- ⑱ Terminal block sized for conductors as shown on plans.

\* Size larger as needed.

Illinois Department of Transportation

PASSED January 1, 2022

*Bernard A. Griffin*  
ELECTRICAL AND MECHANICAL UNIT CHIEF

APPROVED January 1, 2022

*John C. ...*  
ENGINEER OF DESIGN AND ENVIRONMENT

ISSUED 1-1-12

**OBSTRUCTION WARNING  
LIGHTING CONTROLLER, 480V**  
(Sheet 2 of 2)

**STANDARD 826006-03**