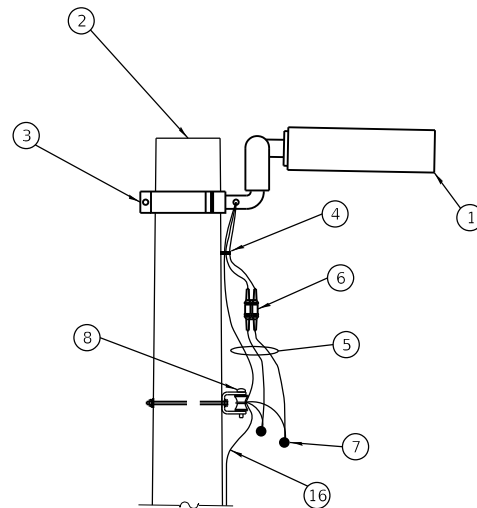


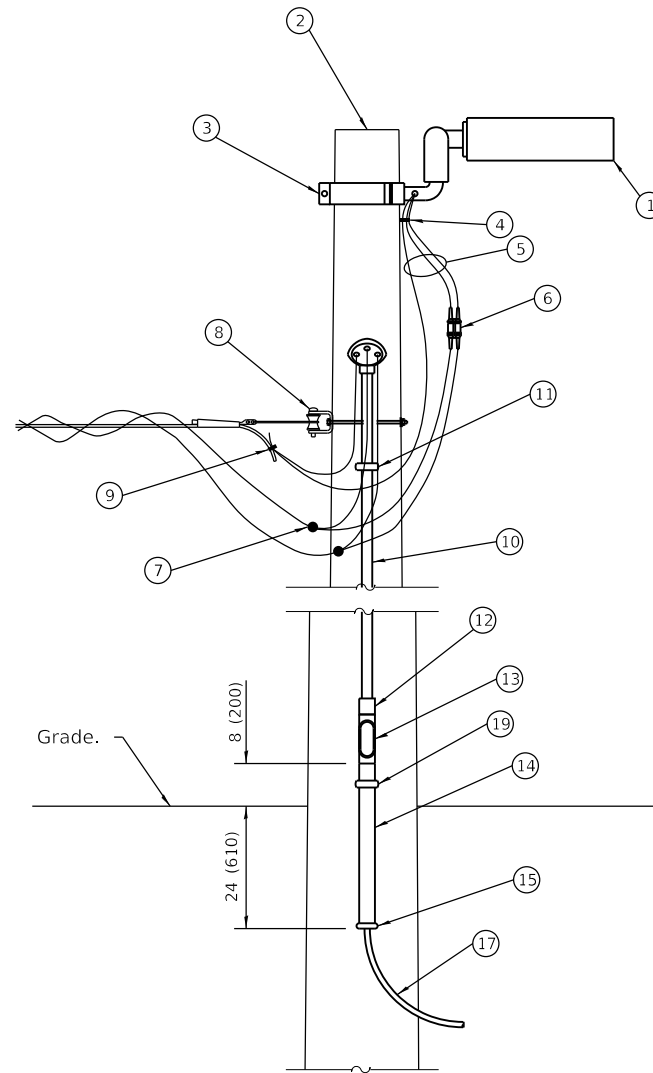
FACING VIEW



SIDE VIEW

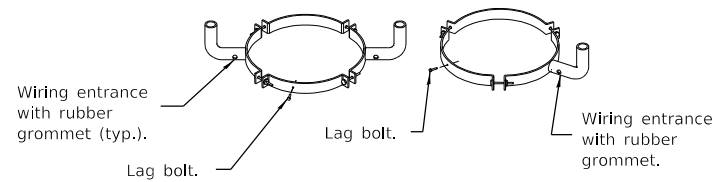
LUMINAIRE MOUNTING DETAILS

43' - 44' (13.1 m - 13.4 m) mounting height unless noted otherwise on plans.



LIGHT POLE WITH CIRCUIT ROUTED UNDERGROUND

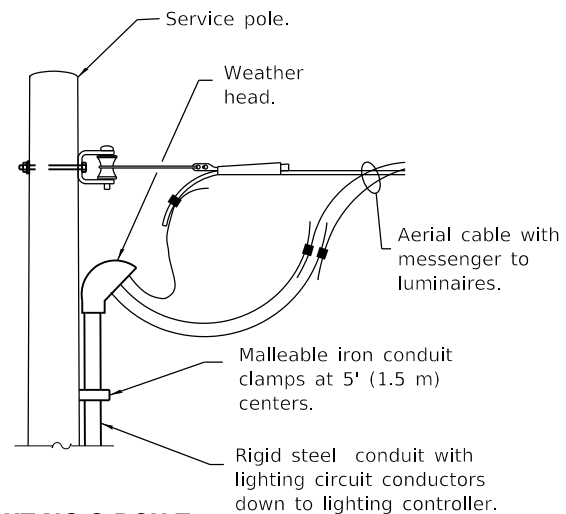
- ① Luminaire.
 - ② Wood light pole, 50' (15.2 m), class 3 (typ.). *
 - ③ Luminaire mounting bracket.
 - ④ Cable clamps on 24 (600) centers.
 - ⑤ Three #10 XLP-USE cable.
 - ⑥ Waterproof, two-pole fuse holder with fuses.
 - ⑦ Waterproof insulation piercing tap connector.
 - ⑧ Heavy duty insulated pulley clevis with mounting bolt and hardware.
 - ⑨ Ground clamp.
 - ⑩ 1 (25) rigid steel conduit. *
 - ⑪ Malleable iron conduit clamps, 5' (1.5 m) intervals.
 - ⑫ Threaded conduit reducer.
 - ⑬ "C" conduit, threaded.
 - ⑭ 1½ (40) rigid steel conduit. *
 - ⑮ Conduit bushing.
 - ⑯ #6 Bare copper ground wire to 10 ft. ground rod, every third light pole.
 - ⑰ Unit duct.
 - ⑱ Wire tie.
 - ⑲ Malleable iron conduit clamp below "C" conduit.
- * Size larger as needed.



TWIN

SINGLE

MOUNTING BRACKET DETAILS



LIGHTING CIRCUIT AT SERVICE/CONTROLLER

See standard 825001 for service installation.

GENERAL NOTES
 See plans for wire and unit duct sizes and pole locations not shown.
 Provide guy wires with strain insulators and anchors, as needed.
 All dimensions are in inches (millimeters) unless otherwise shown.

DATE	REVISIONS
1-1-19	Revised Luminaire to be horizontal.
1-1-13	New standard.

TEMPORARY ROADWAY LIGHTING

STANDARD 830026-01

Illinois Department of Transportation

PASSED January 1, 2019
ME Reppelt
 ELECTRICAL AND MECHANICAL UNIT CHIEF

APPROVED January 1, 2019
J. E. ...
 ENGINEER OF DESIGN AND ENVIRONMENT

ISSUED 1-1-97