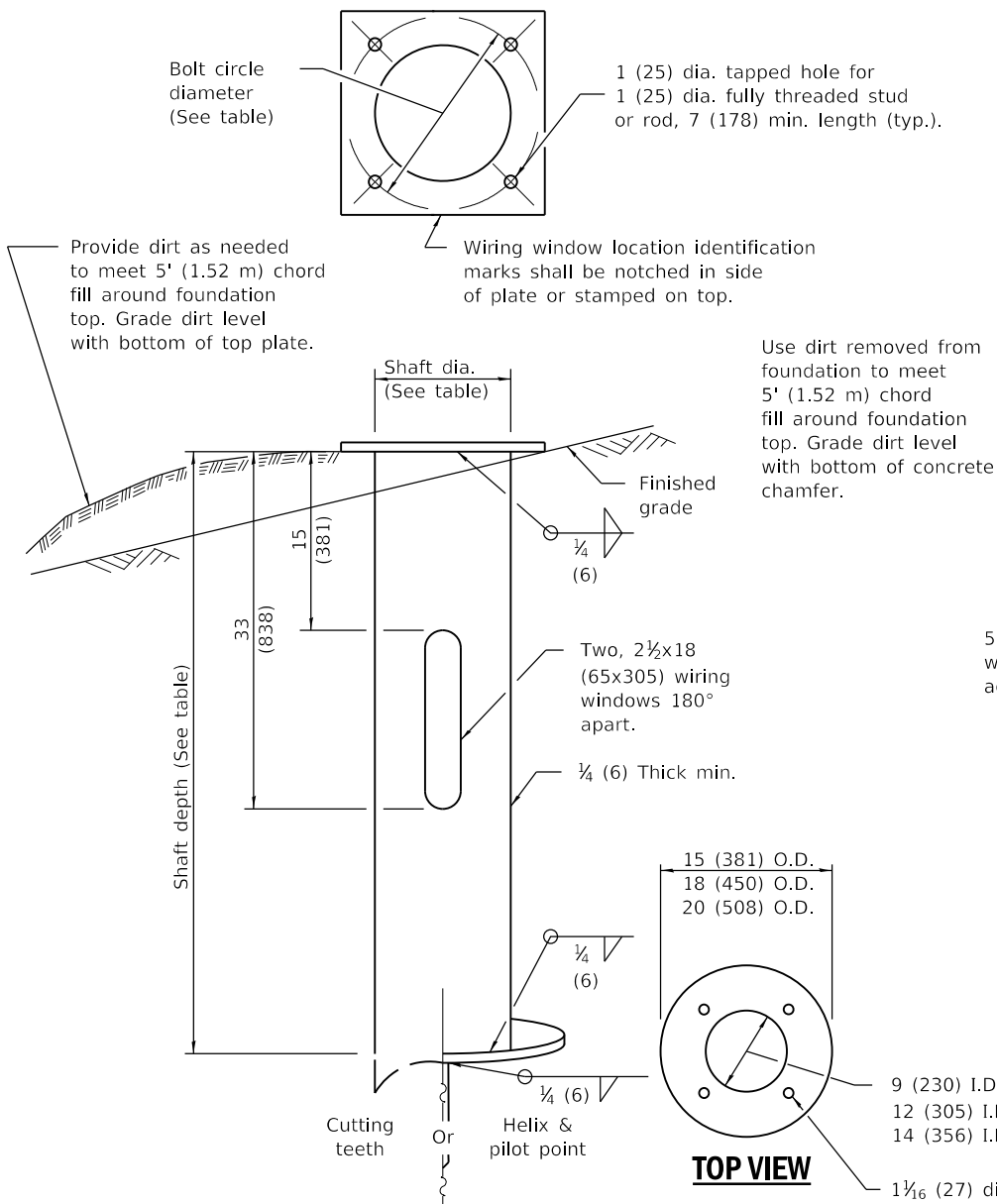
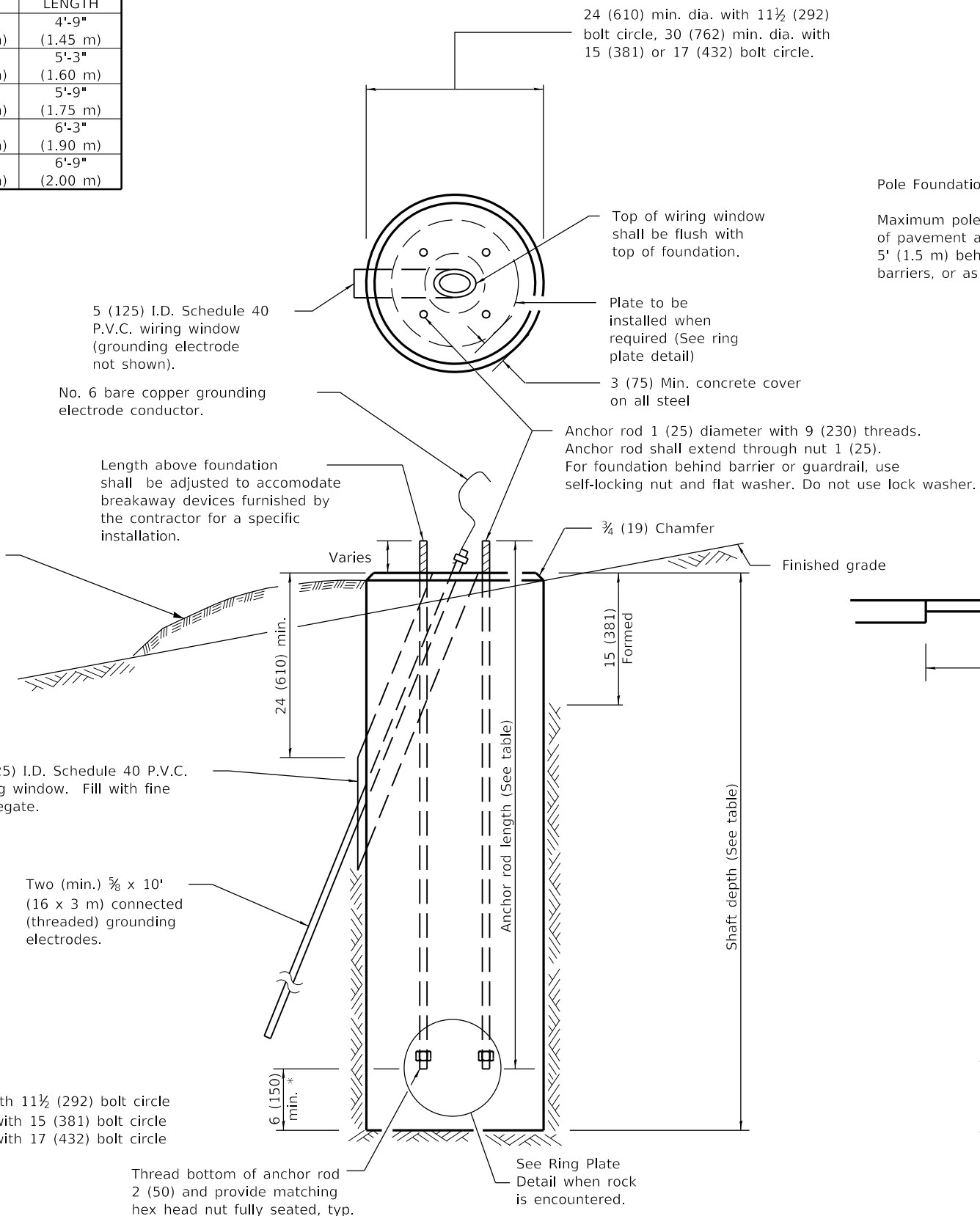
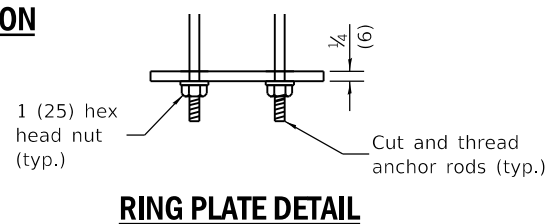


LIGHT POLE MOUNTING HEIGHT	BOLT CIRCLE DIAMETER	METAL FOUNDATION			CONCRETE FOUNDATION		
		SHAFT DIAMETER	SHAFT DEPTH	TOP PLATE (min)	SHAFT DIAMETER	SHAFT DEPTH	ANCHOR ROD LENGTH
≤30' (9.1 m)	11½ (292)	8⅝ (220)	6' (1.83 m)	12 x 12 x 1 (300 x 300 x 25)	24 (610)	5'-0" (1.52 m)	4'-9" (1.45 m)
31'-35' (9.4 m - 10.7 m)	11½ (292)	8⅝ (220)	6' (1.83 m)	12 x 12 x 1 (300 x 300 x 25)	24 (610)	5'-6" (1.67 m)	5'-3" (1.60 m)
36'-40' (10.9 m - 12.2 m)	15 (381) ②	8⅝ (220)	6' (1.83 m)	15 x 15 x 1¼ (375 x 375 x 31)	30 (762)	6'-0" (1.83 m)	5'-9" (1.75 m)
41'-45' (12.5 m - 13.7 m)	15 (381) ②	8⅝ (220)	6' (1.83 m)	15 x 15 x 1¼ (375 x 375 x 31)	30 (762)	6'-6" (1.98 m)	6'-3" (1.90 m)
46'-50' (14.0 m - 15.2 m)	15 (381) ②	8⅝ (220)	8' (2.44 m)	15 x 15 x 1¼ (375 x 375 x 31)	30 (762)	7'-0" (2.13 m)	6'-9" (2.00 m)

- ① 8⅝ x 8'-0" (220 x 2.44 m) for twin luminaires.
- ② Bolt circle diam. shall be 17 (430) when a transformer base is used.

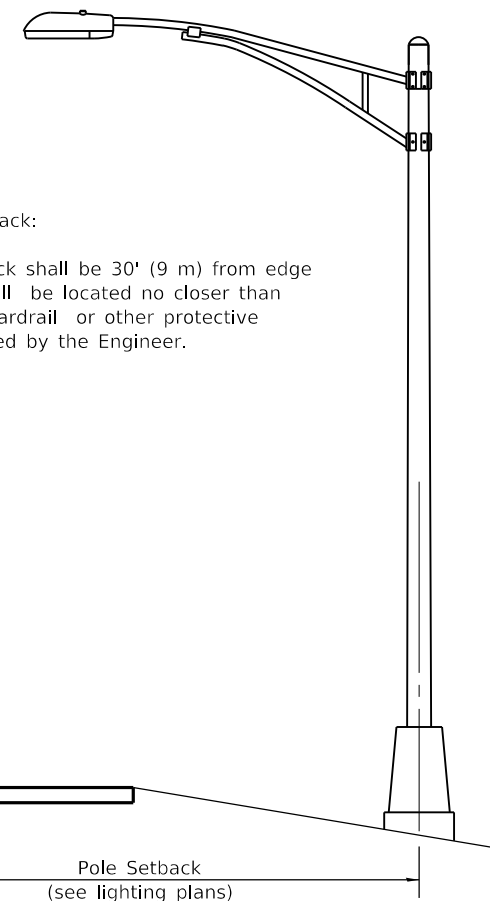


**METAL FOUNDATION**



**CONCRETE FOUNDATION**

\* If the required anchor rod length above top of foundation is less than 3 (75), anchor rods may be lowered below 6 (150).



**GENERAL NOTES**

All foundations are designed to be located on slopes not exceeding 2:1 where soils have an unconfined compressive strength of at least 1.0 TSF. The Contractor shall verify the soil strength during drilling for concrete foundations or by monitoring installation resistance of metal foundations and notify the Engineer if other conditions are encountered.

When rock is encountered the foundation depth may be reduced 6 (150) for every 12 (300) of embedment in rock. The minimum foundation depth shall be 4'-6" (1.37 m) with cut anchor rods 6 (150) above bottom of excavated hole. See ring plate detail.

Anchor rods shall be increased in diameter as needed for 50' (15.2 m) mounting height or above. The Contractor shall match the breakaway device size or slotted hole size in the pole base plate to accommodate larger rod sizes.

Transformer bases shall not be used on metal foundations.

All dimensions are in inches (millimeters) unless otherwise shown.

DATE	REVISIONS
1-1-19	Omitted multimount luminaire to agree with BDE Manual.
1-1-18	Replaced rod hooks with nuts.

**LIGHT POLE FOUNDATION**

**STANDARD 836001-04**

Illinois Department of Transportation

PASSED January 1, 2019

ME Reppelt  
ELECTRICAL AND MECHANICAL UNIT CHIEF

APPROVED January 1, 2019

ENGINEER OF DESIGN AND ENVIRONMENT

ISSUED 1-1-10