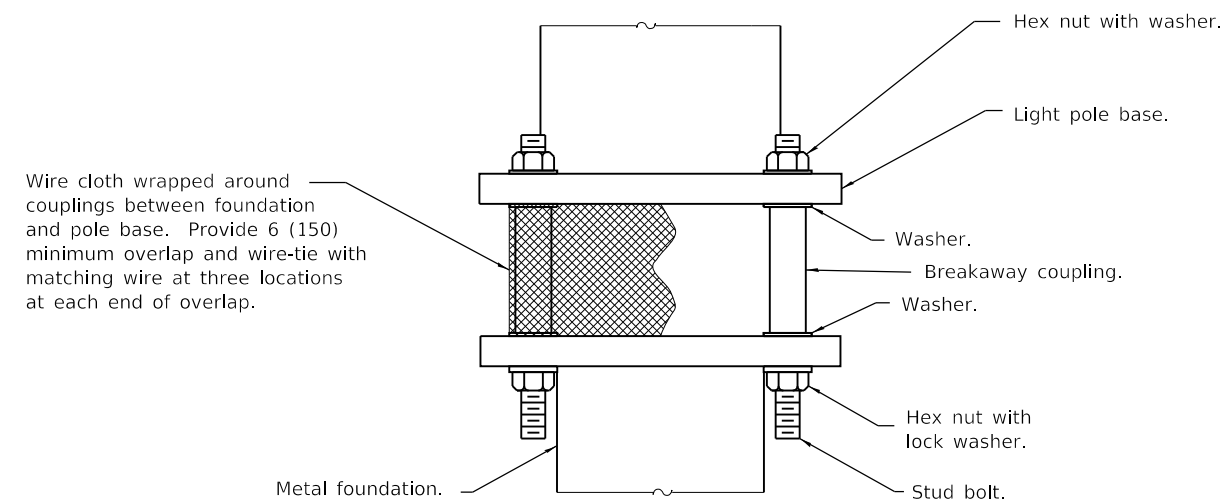


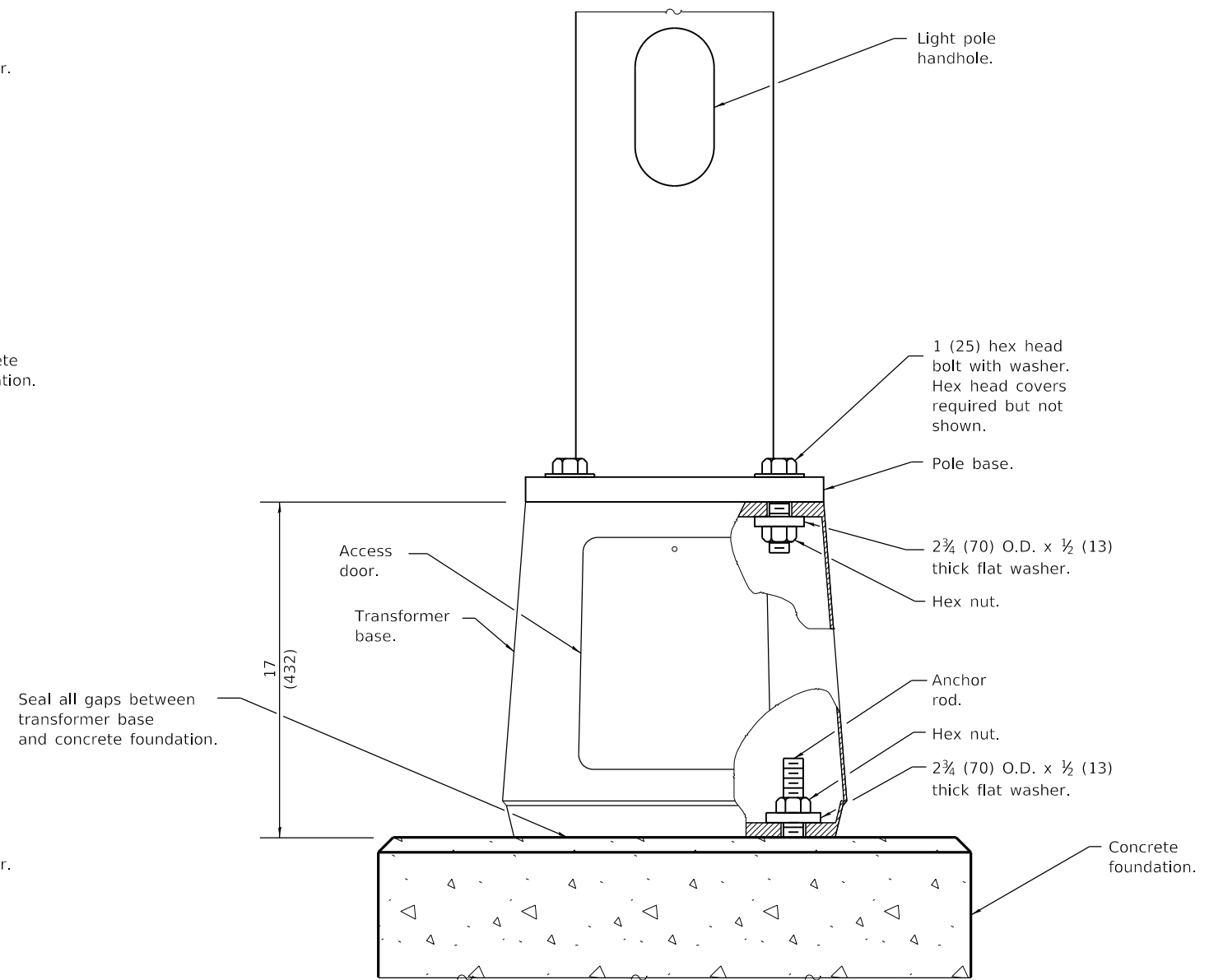
BREAKAWAY COUPLINGS ON CONCRETE FOUNDATION FOR STEEL LIGHT POLE

(Provide pole base skirt around wire cloth when required.)



BREAKAWAY COUPLINGS ON METAL FOUNDATION FOR STEEL POLE

(Provide pole base skirt around wire cloth when required.)



BREAKAWAY TRANSFORMER BASE FOR STEEL OR ALUMINUM POLE

(Steel pole shown)

See Sheet 2 for GENERAL NOTES.

Illinois Department of Transportation

PASSED January 1, 2018

ENGINEER OF PRELIMINARY ENGINEERING

APPROVED January 1, 2018

ENGINEER OF DESIGN AND ENVIRONMENT

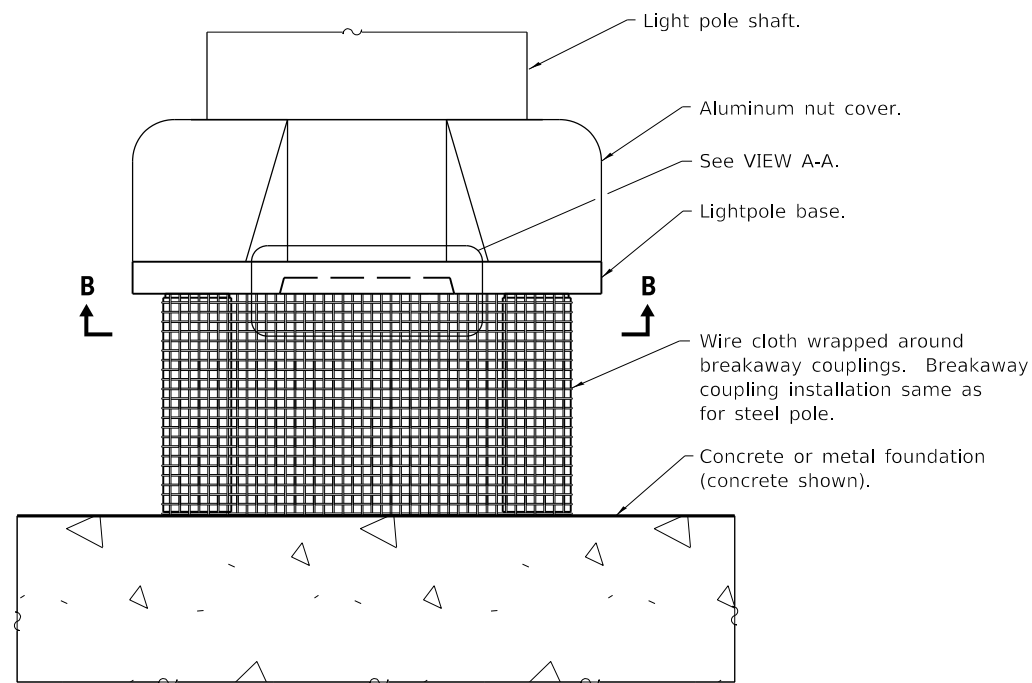
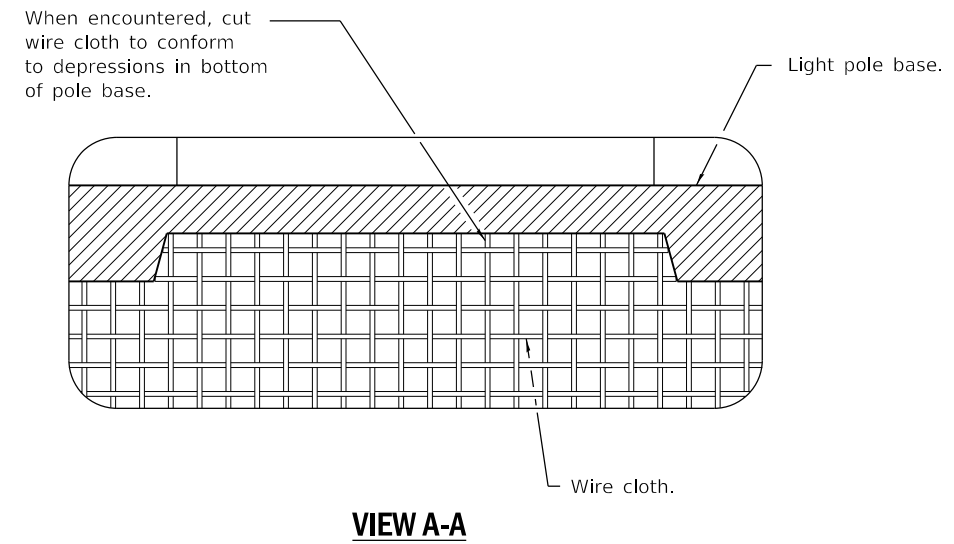
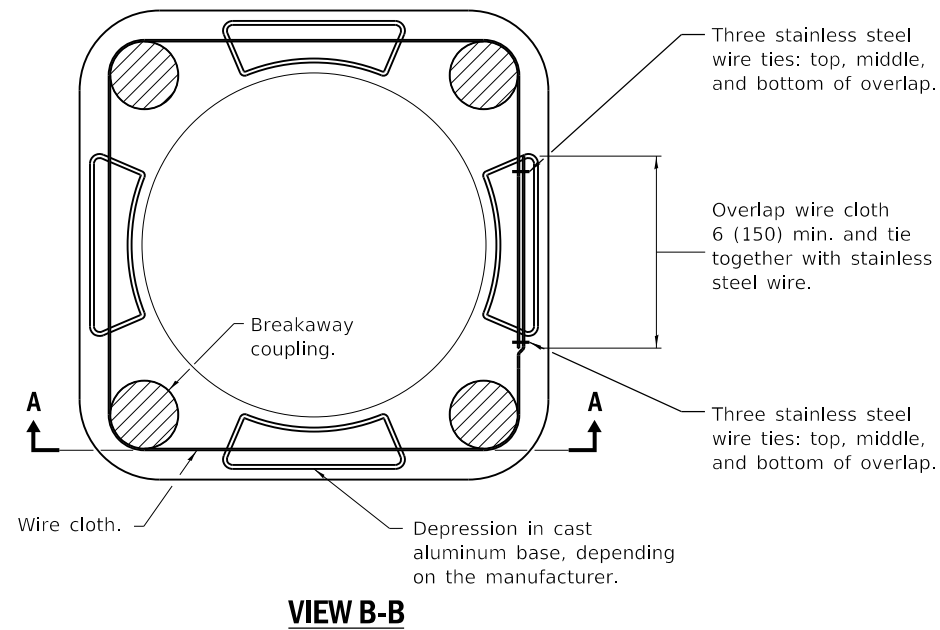
ISSUED 1-1-12

DATE	REVISIONS
1-1-18	Revised to show rodent shield installation for aluminum poles.
1-1-14	New Standard.

BREAKAWAY DEVICES

(Sheet 1 of 2)

STANDARD 838001-01



BREAKAWAY COUPLINGS FOR ALUMINUM POLES

(Provide pole base skirt around wire cloth when required.)

GENERAL NOTES

- See light pole standard for details not shown.
- Use largest transformer base bolt circle possible.
- Transformer bases shall not be installed on metal foundations.
- Washers on top of pole base shall cover the entire bolt slot.
- See Standard 836001 for Light Pole Foundation.
- Wire cloth shall be stainless steel, have a maximum opening of $\frac{1}{4}$ (6), and have a minimum wire size of AWG No. 16 (1.6).
- All dimensions are in inches (millimeters) unless otherwise shown.

Illinois Department of Transportation

PASSED January 1, 2018
[Signature]
 ENGINEER OF PRELIMINARY ENGINEERING

ISSUED 1-1-12

APPROVED January 1, 2018
[Signature]
 ENGINEER OF DESIGN AND ENVIRONMENT

BREAKAWAY DEVICES

(Sheet 2 of 2)

STANDARD 838001-01