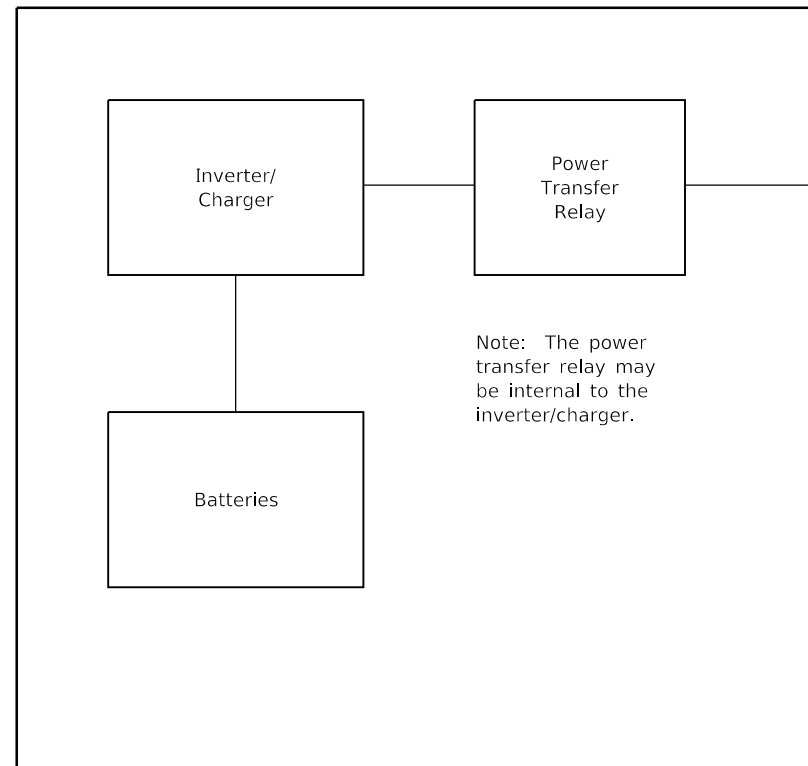
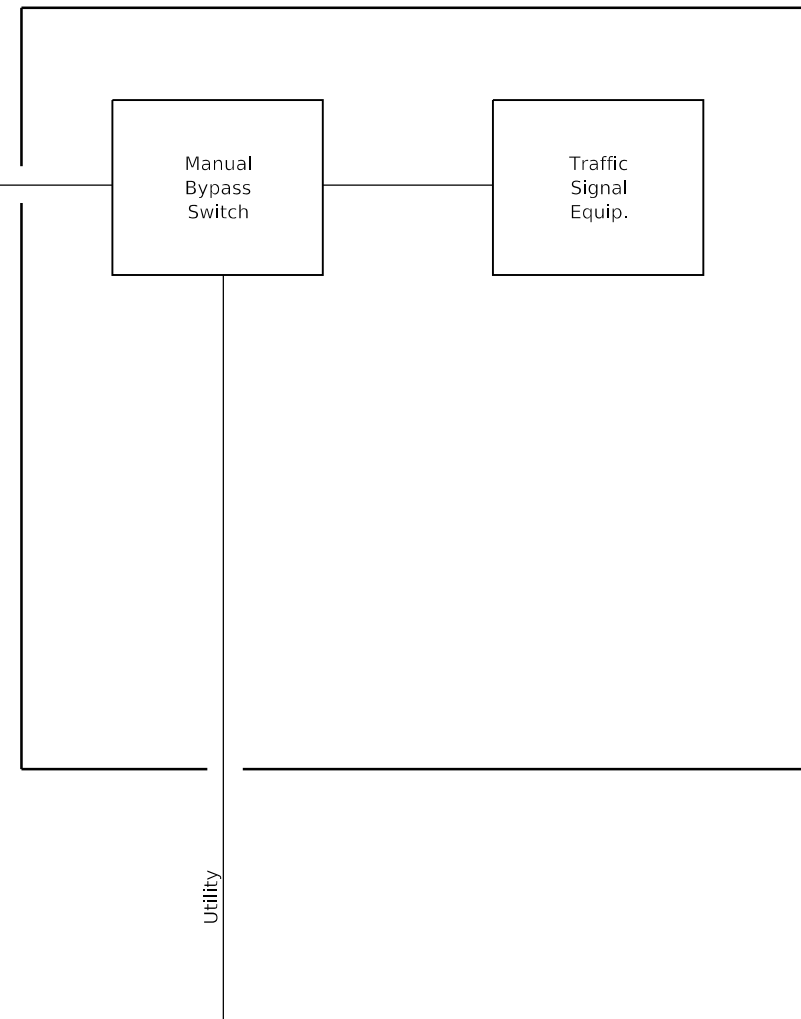


UPS CABINET



Note: The power transfer relay may be internal to the inverter/charger.

TRAFFIC SIGNAL (NEMA) CABINET



SINGLE LINE BLOCK DIAGRAM

Illinois Department of Transportation

PASSED January 1, 2009
 ENGINEER OF OPERATIONS
 APPROVED January 1, 2009
 ENGINEER OF DESIGN AND ENVIRONMENT

ISSUED 4-1-06

DATE	REVISIONS
1-1-09	Omitted note regarding units of length.
4-1-06	New Standard

UNINTERRUPTABLE POWER SUPPLY (UPS)

STANDARD 862001-01