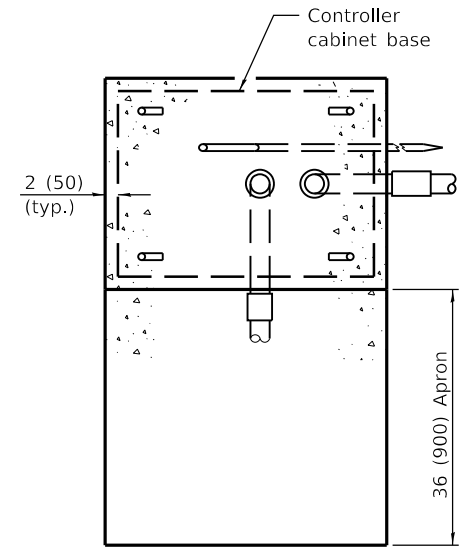
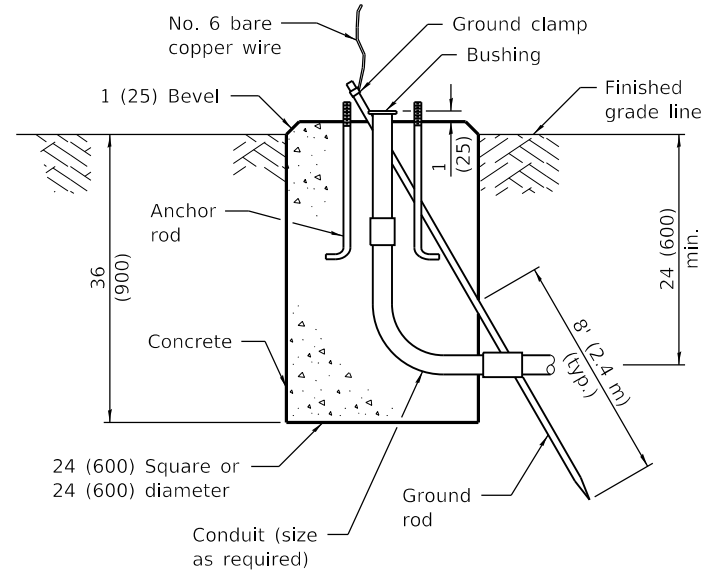


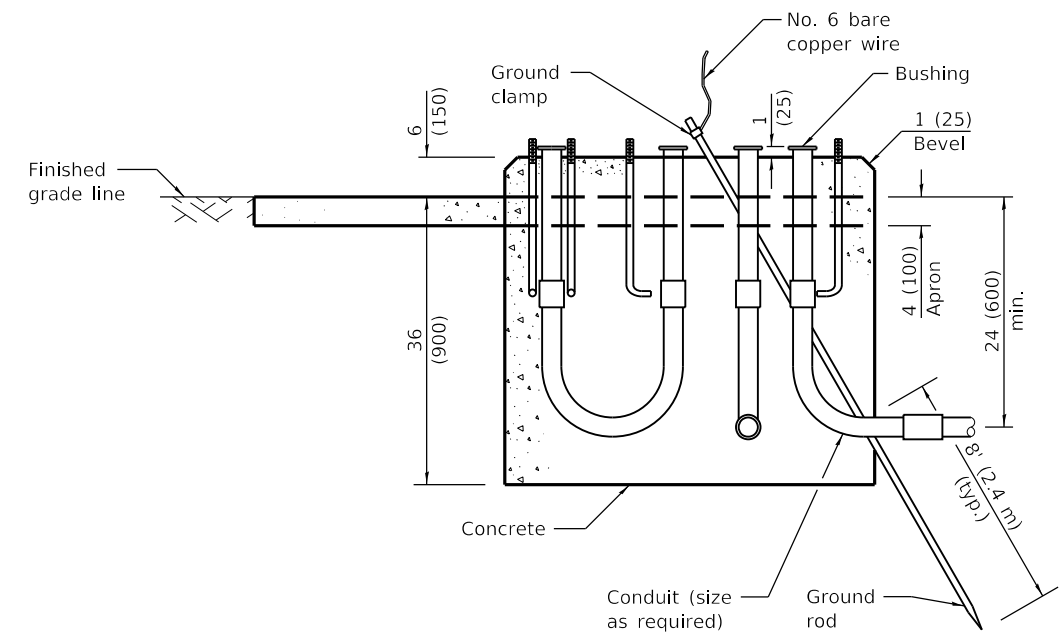
TOP VIEW



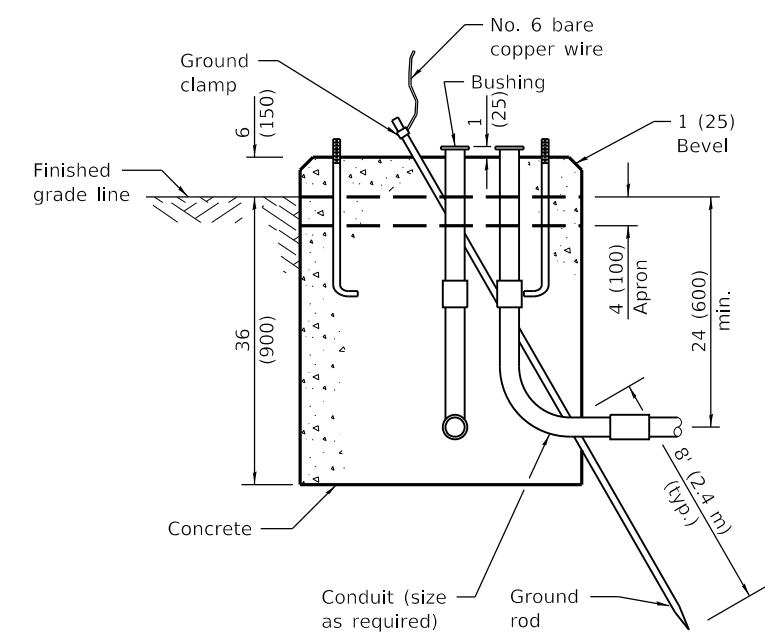
TOP VIEW



TYPE A



**TYPE C
FOR GROUND MOUNTED
CONTROLLER CABINET
AND UPS BATTERY CABINET**



**TYPE D
FOR GROUND MOUNTED
CONTROLLER CABINET**

All dimensions are in inches (millimeters) unless otherwise shown.

Illinois Department of Transportation

PASSED January 1, 2021
Amy Ellis
 ENGINEER OF OPERATIONS

APPROVED January 1, 2021
S. E. EG
 ENGINEER OF DESIGN AND ENVIRONMENT

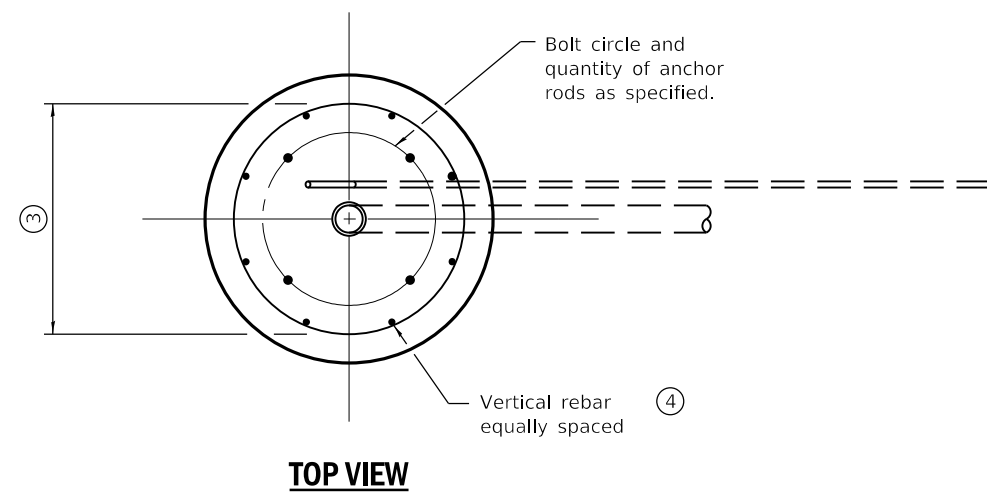
ISSUED 1-1-02

DATE	REVISIONS
1-1-21	Revised anchor rod end in Type E detail.
1-1-15	Revised TYPE E detail.

**CONCRETE
FOUNDATION DETAILS**

(Sheet 1 of 2)

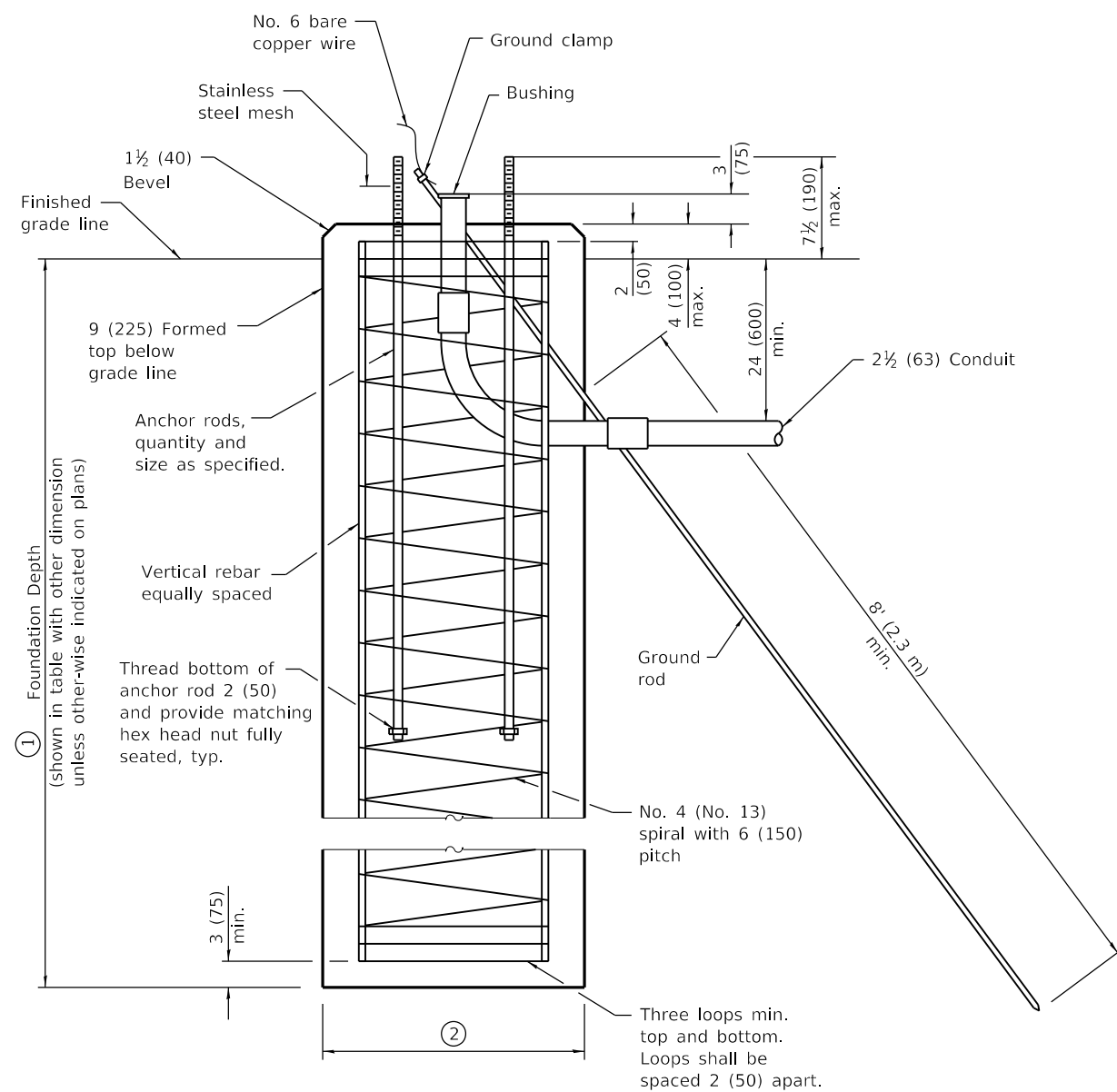
STANDARD 878001-11



Mast Arm Length	① Foundation Depth *	② Foundation Diameter	③ Spiral Diameter	④ Quantity of Rebars	Size of Rebars
Less than 30' (9.1 m)	10'-0" (3.0 m)	30 (750)	24 (600)	8	6 (19)
Greater than or equal to 30' (9.1 m) and less than 40' (12.2 m)	13'-6" (4.1 m)	30 (750)	24 (600)	8	6 (19)
	11'-0" (3.4 m)	36 (900)	30 (750)	12	7 (22)
Greater than or equal to 40' (12.2 m) and less than 50' (15.2 m)	13'-0" (4.0 m)	36 (900)	30 (750)	12	7 (22)
	15'-0" (4.6 m)	36 (900)	30 (750)	12	7 (22)
Greater than or equal to 50' (15.2 m) and up to 55' (16.8 m)	21'-0" (6.4 m)	42 (1060)	36 (900)	16	8 (25)
Greater than or equal to 55' (16.8 m) and up to 65' (19.8 m)	25'-0" (7.6 m)	42 (1060)	36 (900)	16	8 (25)
Greater than or equal to 65' (19.8 m) and up to 75' (22.9 m)					

* For standard and combination mast arm assemblies. Foundation depths for standard dual mast arms with the longest arm length upto and including 55' (16.8 m) shall be increased by 1' (0.3 m) of that shown in the table, based on the longer of the two arms.

These foundation depths are for sites which have cohesive soils (clayey silt, sandy clay, etc.) along the length of the shaft, with an average Unconfined Compressive Strength (Q_u) > 1.0 tsf (100 kpa). This strength shall be verified by boring data prior to construction or with testing by the Engineer during foundation drilling. The Bureau of Bridges & Structures should be contacted for a revised design if other conditions are encountered.



Illinois Department of Transportation

PASSED January 1, 2021
Amy Ellis
 ENGINEER OF OPERATIONS

APPROVED January 1, 2021
S. E. EG
 ENGINEER OF DESIGN AND ENVIRONMENT

ISSUED 1-1-02

**CONCRETE
FOUNDATION DETAILS**

(Sheet 2 of 2)

STANDARD 878001-11