

All dimensions are in inches (millimeters) unless otherwise shown.

DATE	REVISIONS
1-1-22	Revised spacing of transverse joints in General Notes.
1-1-18	Changed No. 6 (No. 19) bars to No. 5 (No. 16) bars.

**PCC PAVEMENT SPECIAL
(NONREINFORCED)**

(Sheet 1 of 2)

STANDARD B.L.R. 10-8

Illinois Department of Transportation

APPROVED January 1, 2022

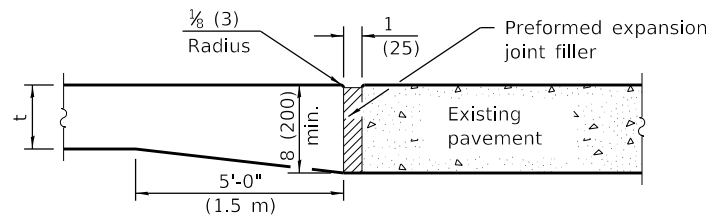
ENGINEER OF LOCAL ROADS AND STREETS

APPROVED January 1, 2022

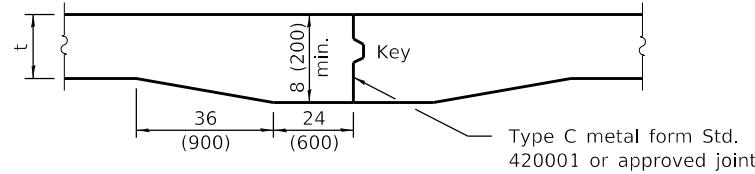
ENGINEER OF DESIGN AND ENVIRONMENT

ISSUED 1-1-97

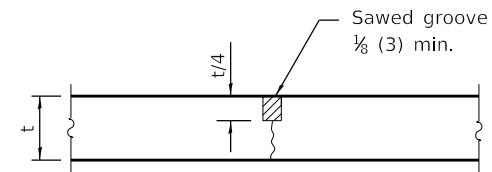
t = See typical cross section on plans for thickness



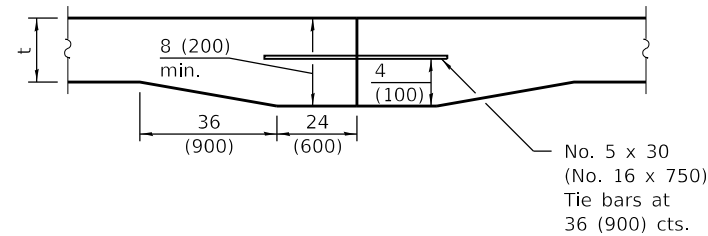
**TYPE A
EXPANSION JOINT**



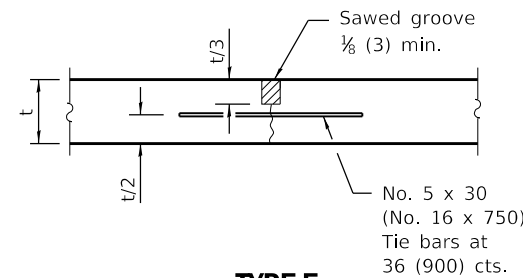
**TYPE B
KEYED JOINT**



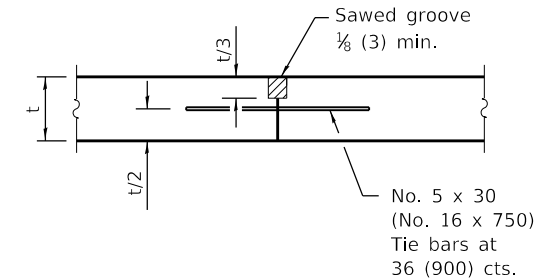
**TYPE C
SAWED TRANSVERSE JOINT**



**TYPE D
TIED TRANSVERSE CONSTRUCTION JOINT**



**TYPE E
SAWED LONGITUDINAL JOINT**



**TYPE E
LONGITUDINAL CONSTRUCTION JOINT**

GENERAL NOTES

All catch basins shall be separated from the pavement and curb by boxing out as shown in the detail. Manhole castings within the pavement limits shall be boxed in a like manner except when telescoping type castings are used.

When a joint falls within 5 ft. (1.5 m) of or contacts basins, manholes, or other structures, shorten one or more panels either side of opening to permit joint to fall at the corners of the box out.

When specified, roundouts as shown on Standard 420111 shall be used in lieu of the manhole detail shown herein except No. 5 (No. 16) bars shall be used in lieu of No. 6 (No. 19) bars.

All transverse joints must extend through curbs and be continuous across pavement, except tied transverse construction joints. Expansion joints will be required as shown on the plans.

When specified, the pavement structure thickness at intersections shall be increased. This requirement generally will occur when the design traffic through the intersection exceeds the typical design of the pavement structure either side of the intersection.

Joints shall be sawed to a depth of t/4 for transverse joints and t/3 for longitudinal joints. Saw joints shall be sealed with material meeting the requirements of Section 1050 of the Standard Specifications.

This alternate construction is at the Contractor's option and shall be constructed in accordance with Section 606 of the Standard Specifications. The combination concrete curb and gutter shall be measured in place and the area computed in sq yd (sq m). This work will be paid for at the contract unit price per sq yd (sq m) for portland cement concrete pavement special with integral curb of the thickness specified.

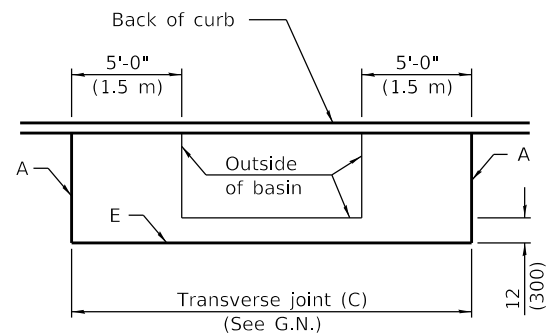
Transverse joint spacing shall not exceed 12' (3.6 m) for pavements less than 10 (250) thick or 15' (4.5 m) for pavements 10 (250) thick and greater.

Construct TYPE D tied transverse construction joint when construction joint does not fall at a TYPE C sawed transverse joint.

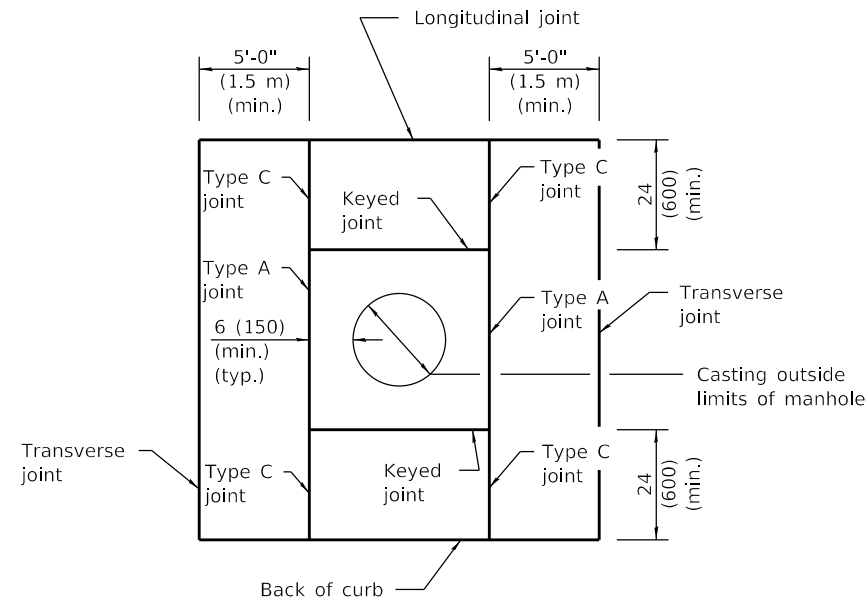
**PCC PAVEMENT SPECIAL
(NONREINFORCED)**

(Sheet 2 of 2)

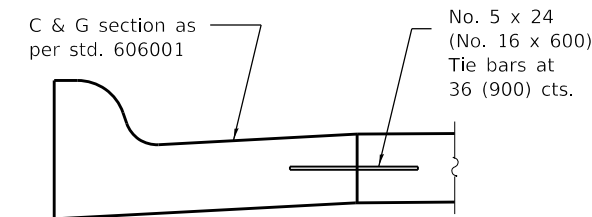
STANDARD B.L.R. 10-8



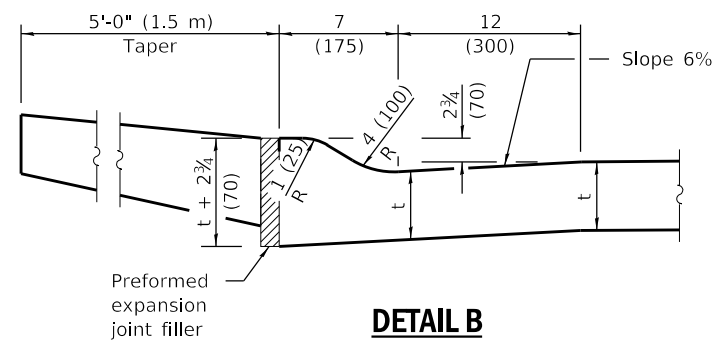
CATCH BASIN DETAIL



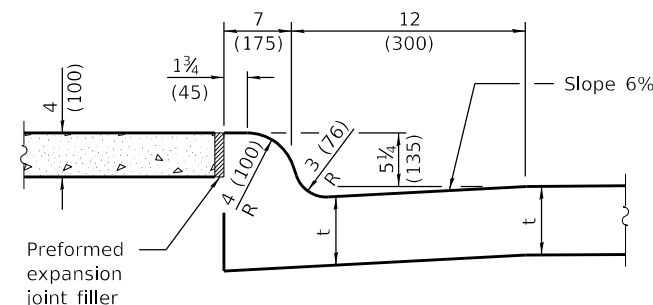
MANHOLE DETAIL
Showing Joint types



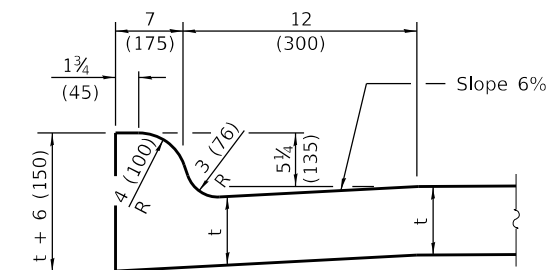
COMB. CURB & GUTTER DETAIL
Alt. const. see G.N.



DETAIL B



DETAIL A



INTEGRAL CURB
See DETAIL A for crosswalks and DETAIL B for driveways.

Illinois Department of Transportation

APPROVED January 1, 2022

ENGINEER OF LOCAL ROADS AND STREETS

APPROVED January 1, 2022

ENGINEER OF DESIGN AND ENVIRONMENT

ISSUED 1-1-97