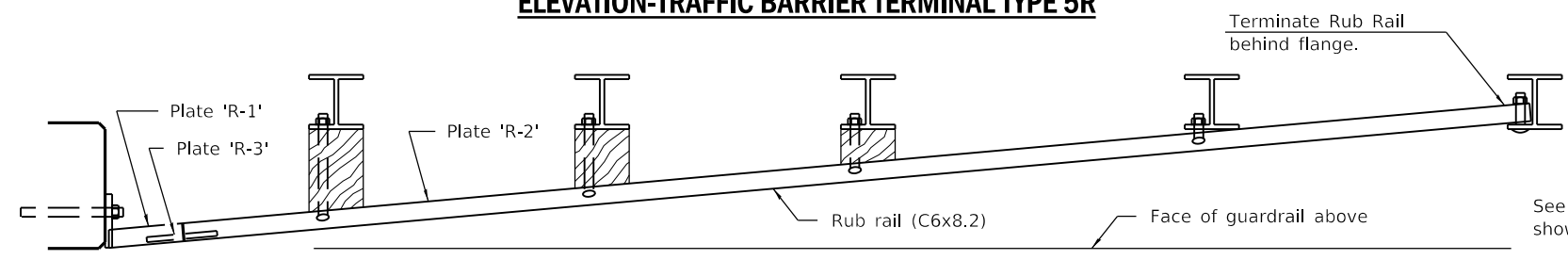
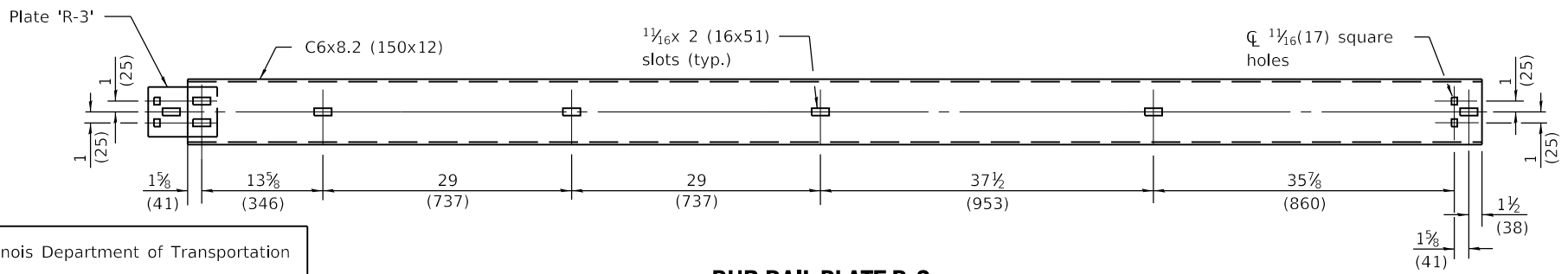


ALTERNATE SOIL PLATE CONNECTION

ELEVATION-TRAFFIC BARRIER TERMINAL TYPE 5R



SECTION A-A



RUB RAIL PLATE R-2

GENERAL NOTES

- See Standard B.L.R. 26 for details of guardrail not shown.
- Install the face of the guardrail flush with the face of the parapet. Install plate washer "D" so that the 1 (25) projection fills the remainder of the slotted holes in the 1 (25) end plate on plate "G" after the 1 (25) bolts are in place.
- * When an expansion joint exists below the connector, bolts shall be provided with locknut or double nut and shall be tightened only to a point that will allow plate G to be free to move.
- All dimensions are in inches (millimeters) unless otherwise shown.

Illinois Department of Transportation

PASSED January 1, 2012

ENGINEER OF LOCAL ROADS AND STREETS

APPROVED January 1, 2012

ENGINEER OF DESIGN AND ENVIRONMENT

ISSUED 1-1-12

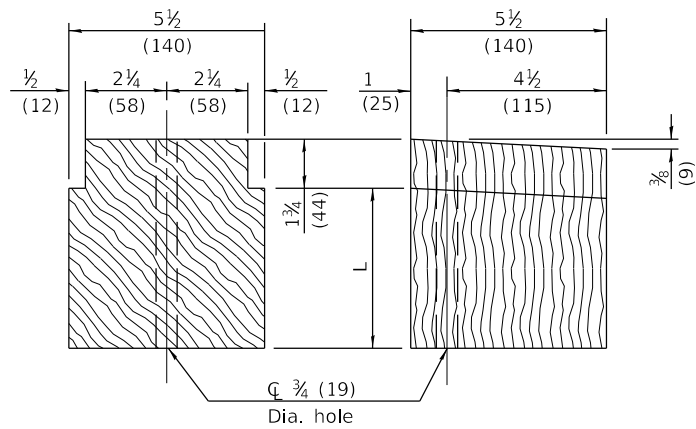
76-1

DATE	REVISIONS
1-1-12	Revised barrier terminal height per note . ①
1-1-09	Switched units to English (metric).

TRAFFIC BARRIER TERMINAL-TYPE 5R

(Sheet 1 of 2)

STANDARD B.L.R. 20-7

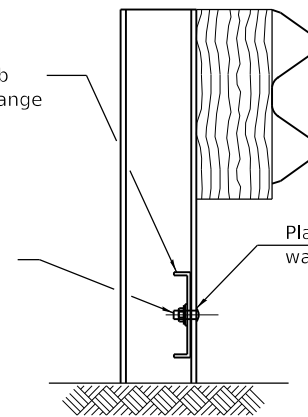


TREATED TIMBER BLOCKING

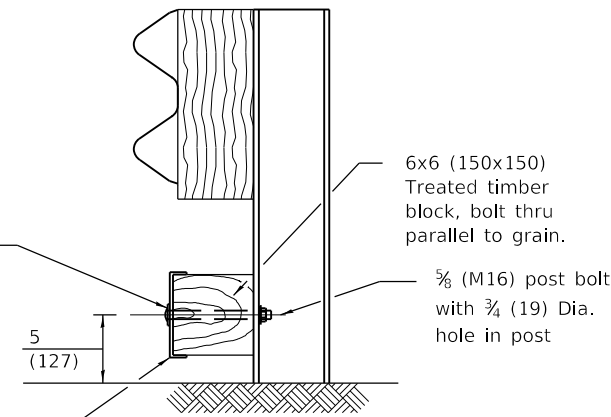
** Approximate Lengths Field Verify

** L
7 3/8 (187)
5 5/8 (143)
3 7/8 (98)

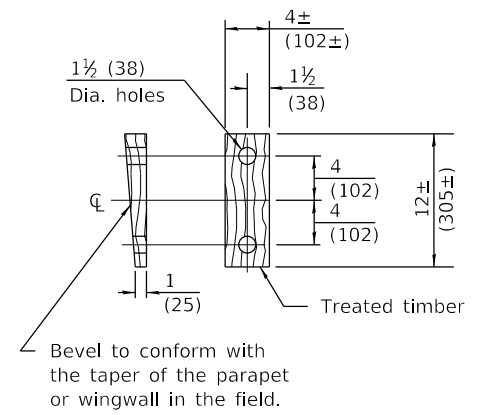
3/8 (16) Dia. post bolt with 3/4 (19) Dia. hole in post



SECTION B-B

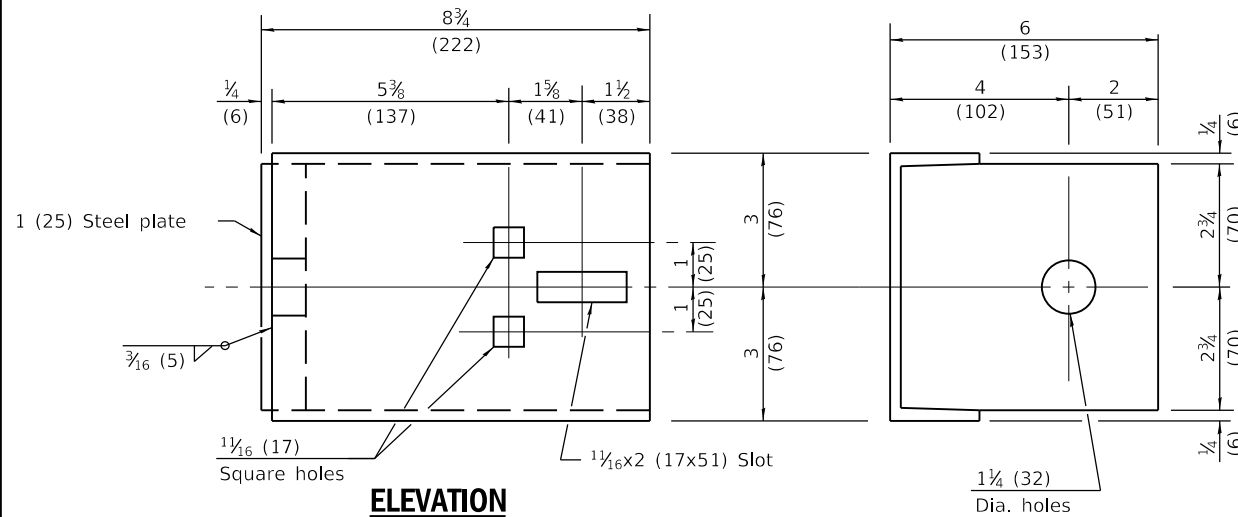


SECTION C-C



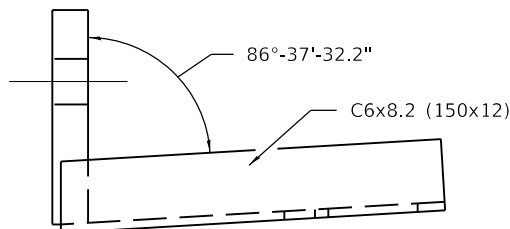
WEDGE M

Bevel to conform with the taper of the parapet or wingwall in the field.



ELEVATION

END VIEW



PLAN

RUB RAIL PLATE R-1

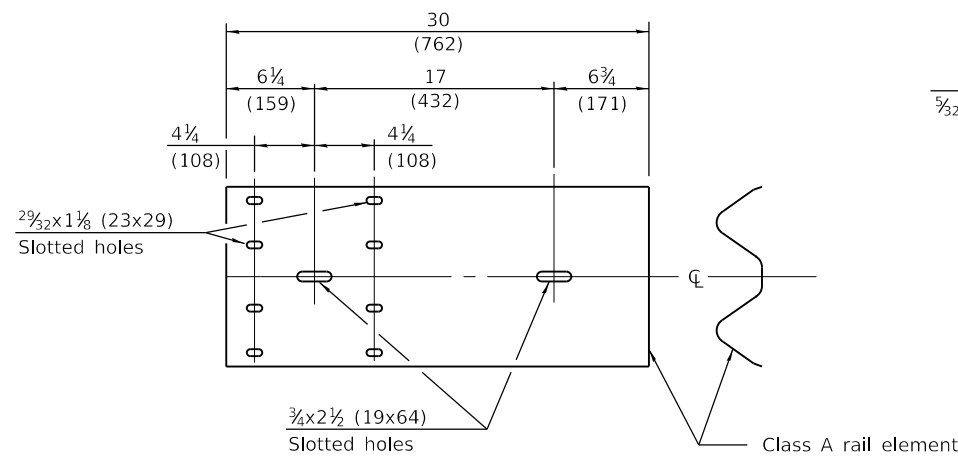
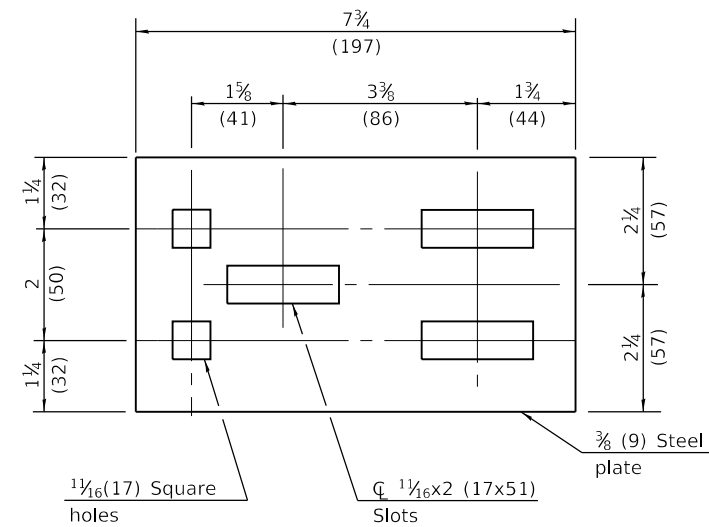


PLATE E



SPLICE PLATE 'R-3'

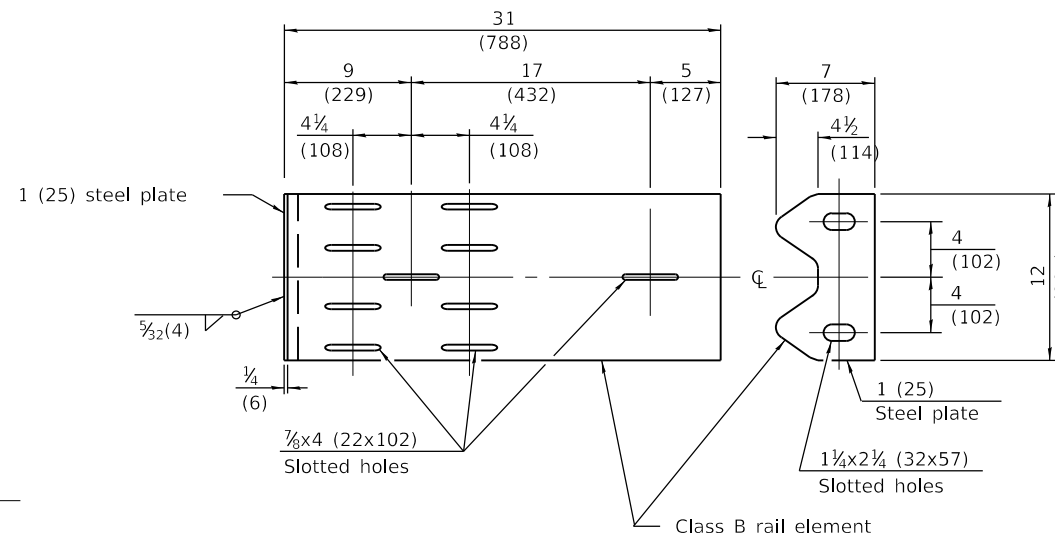


PLATE G

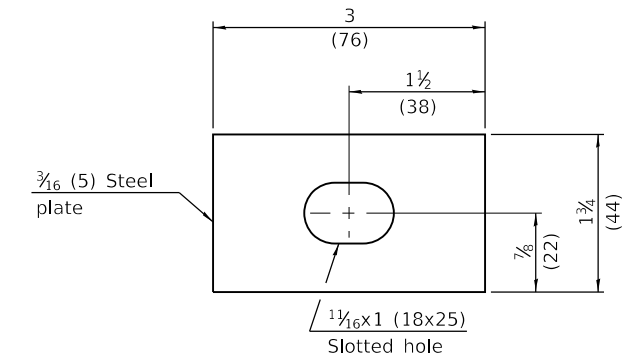


PLATE WASHER F

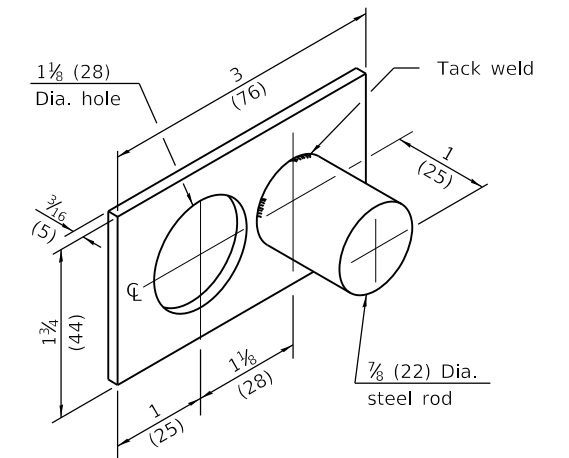


PLATE WASHER D

**TRAFFIC BARRIER
TERMINAL-TYPE 5R**

(Sheet 2 of 2)

STANDARD B.L.R. 20-7

Illinois Department of Transportation

PASSED January 1, 2012

APPROVED January 1, 2012

ISSUED 1-1-97