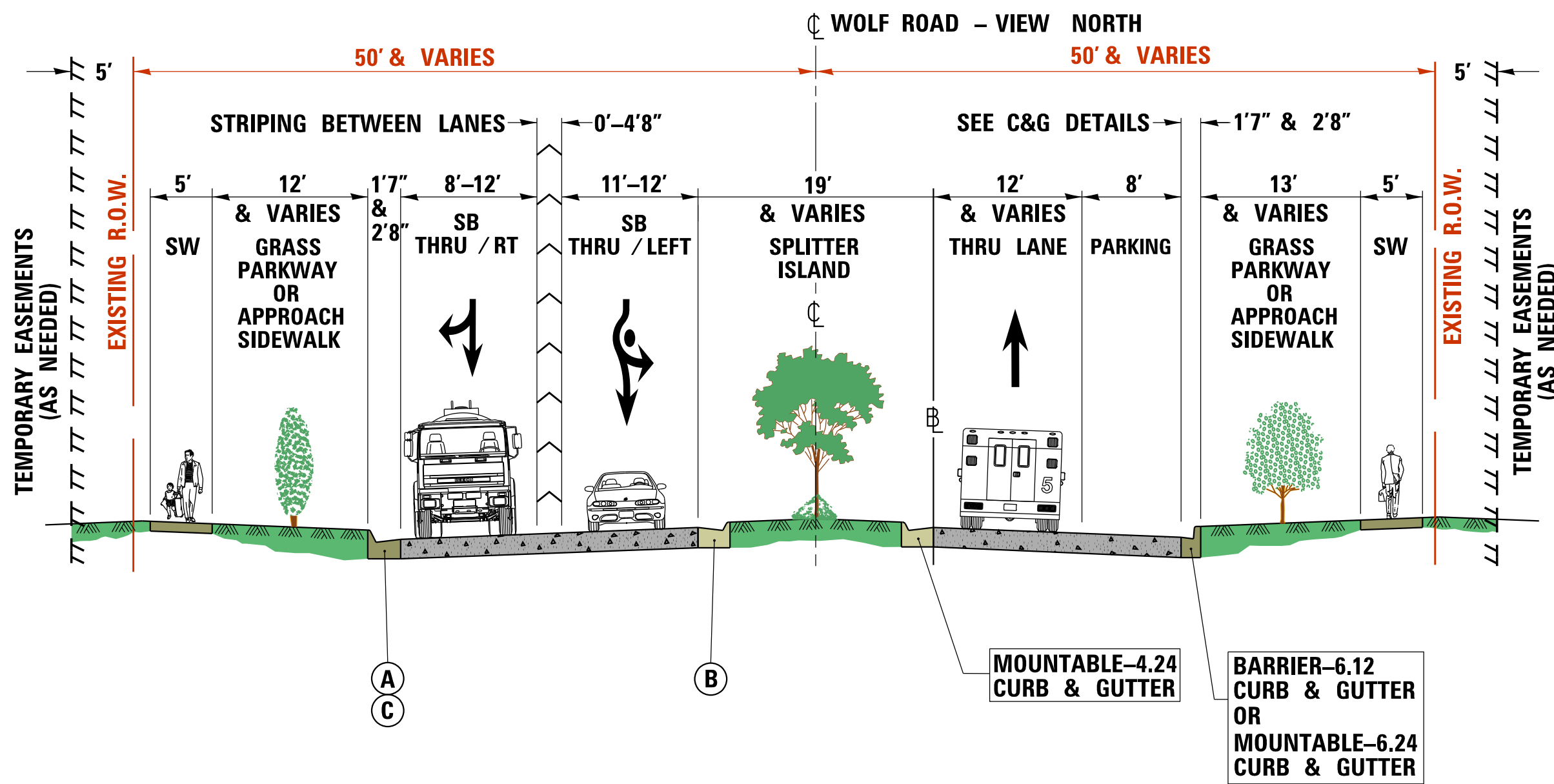
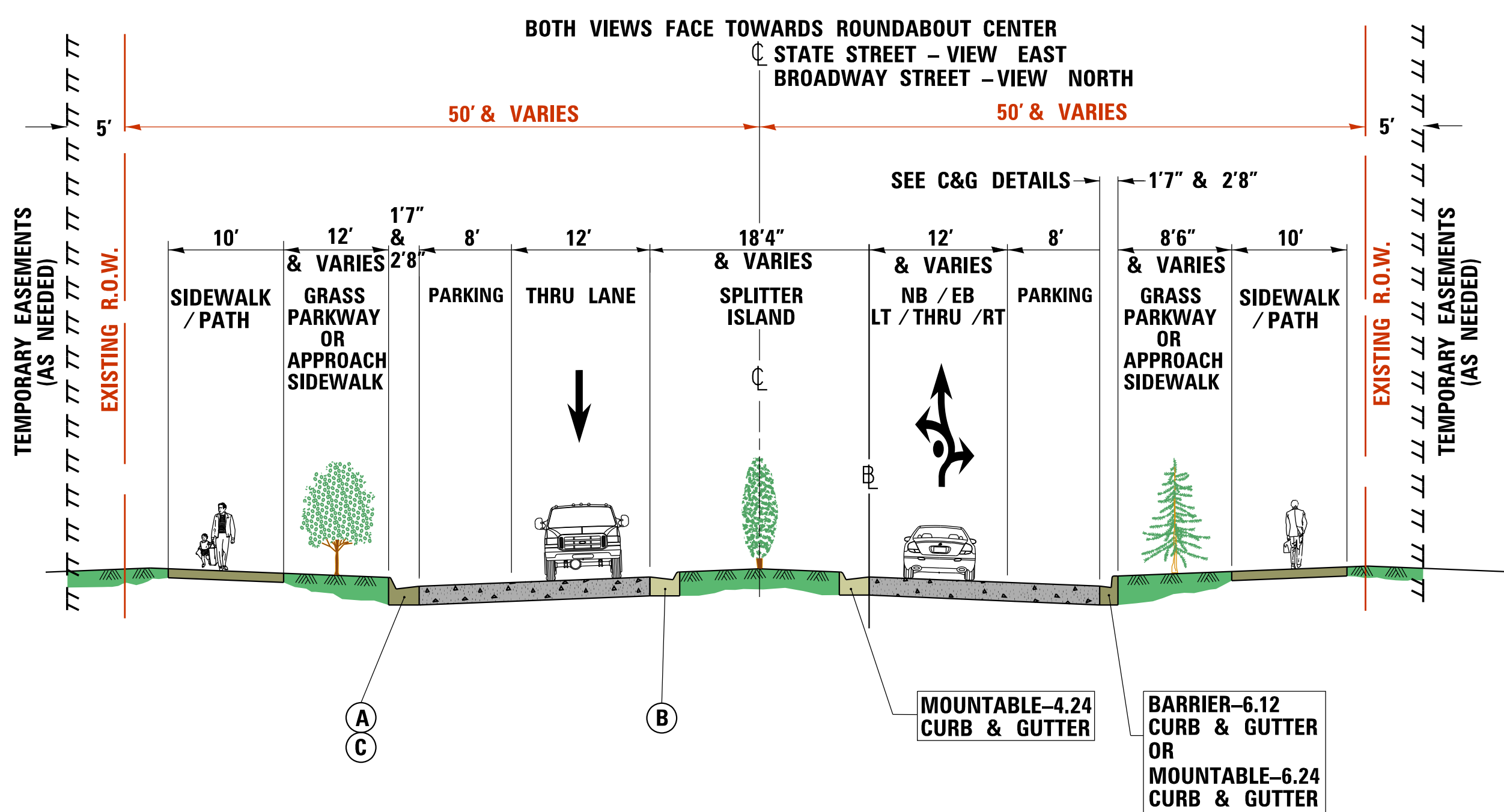
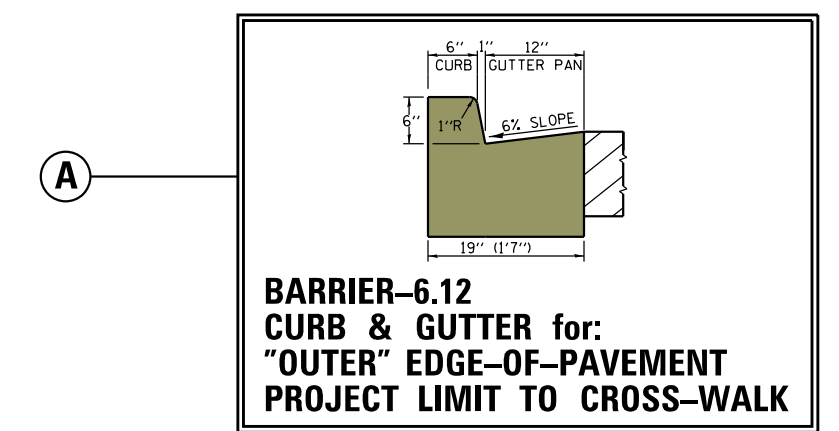


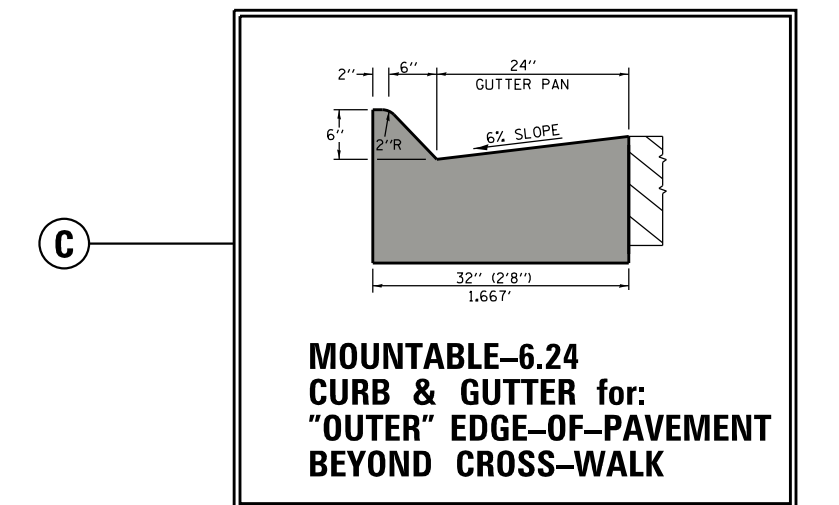
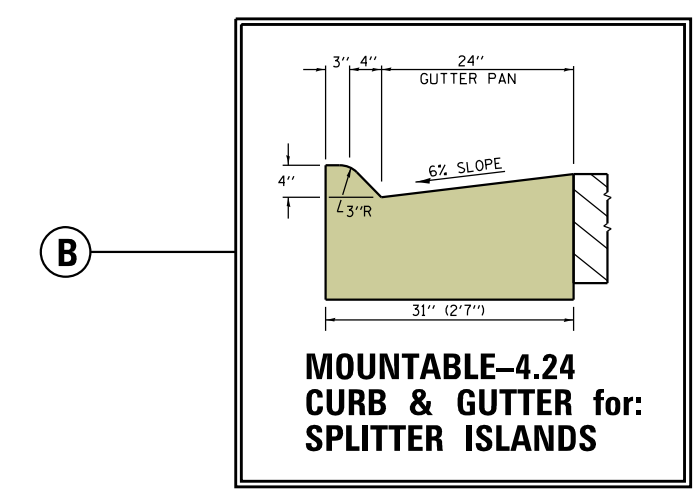
APPROACH ROADWAY TYPICAL SECTIONS



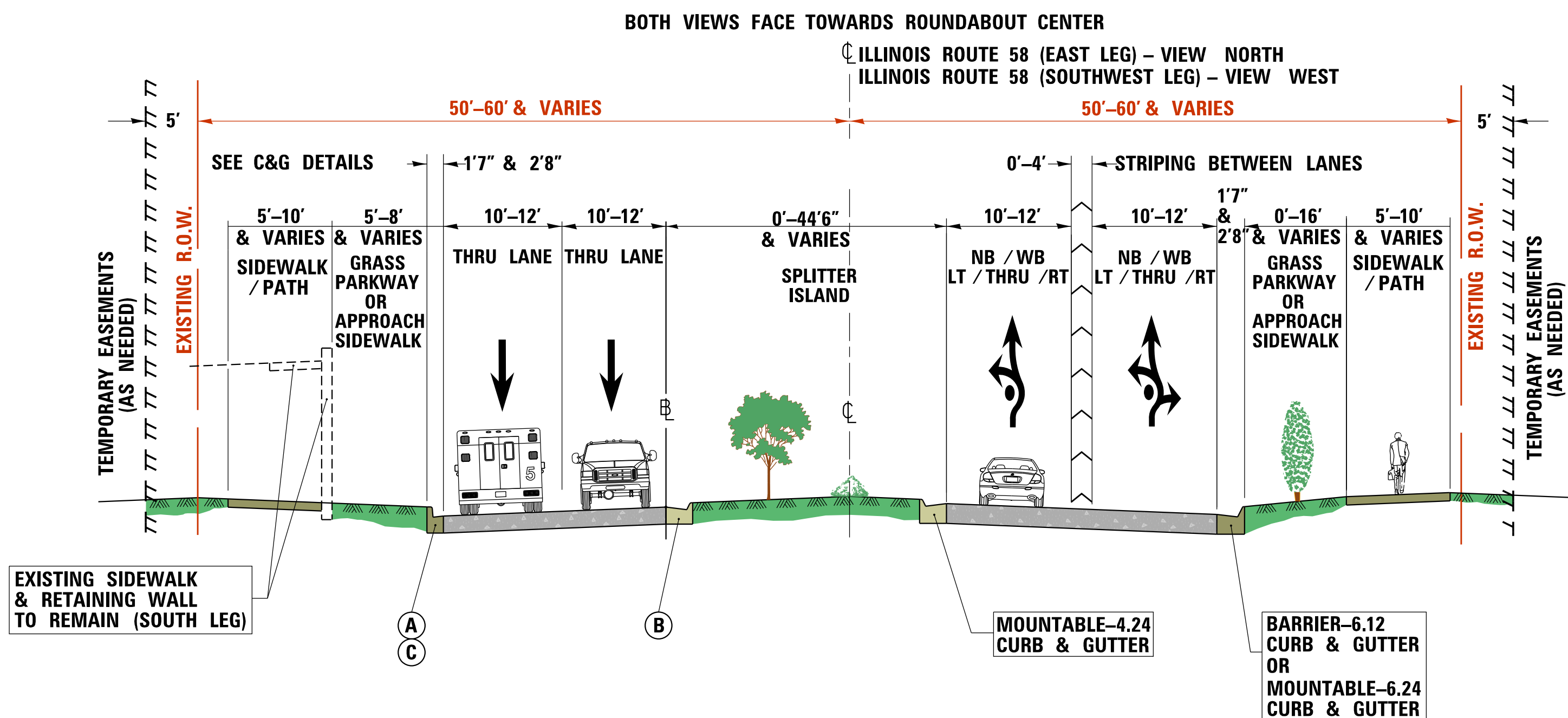
**PROPOSED TYPICAL SECTION
• WOLF ROAD**



**PROPOSED TYPICAL SECTION
• STATE STREET
• BROADWAY STREET**

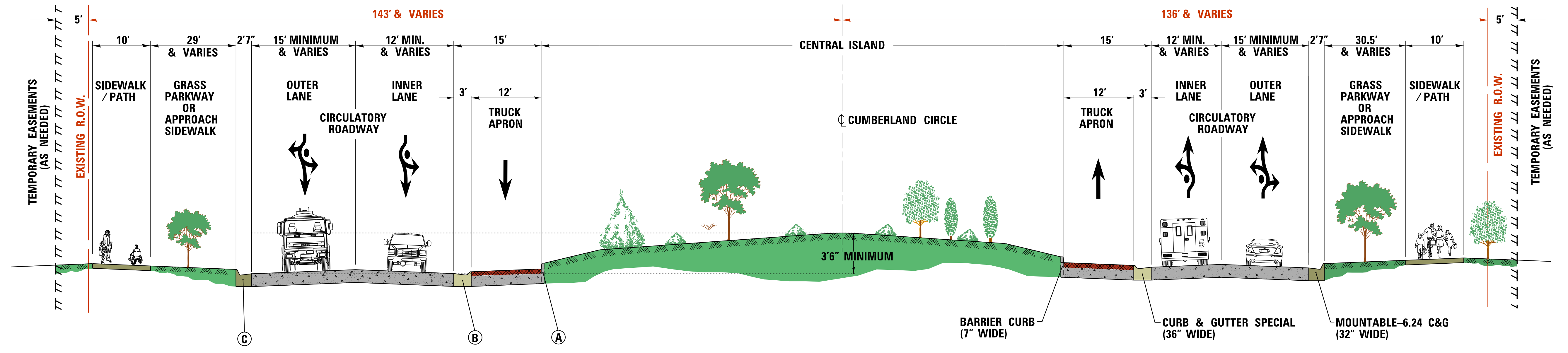


**CURB & GUTTER
DETAILS**

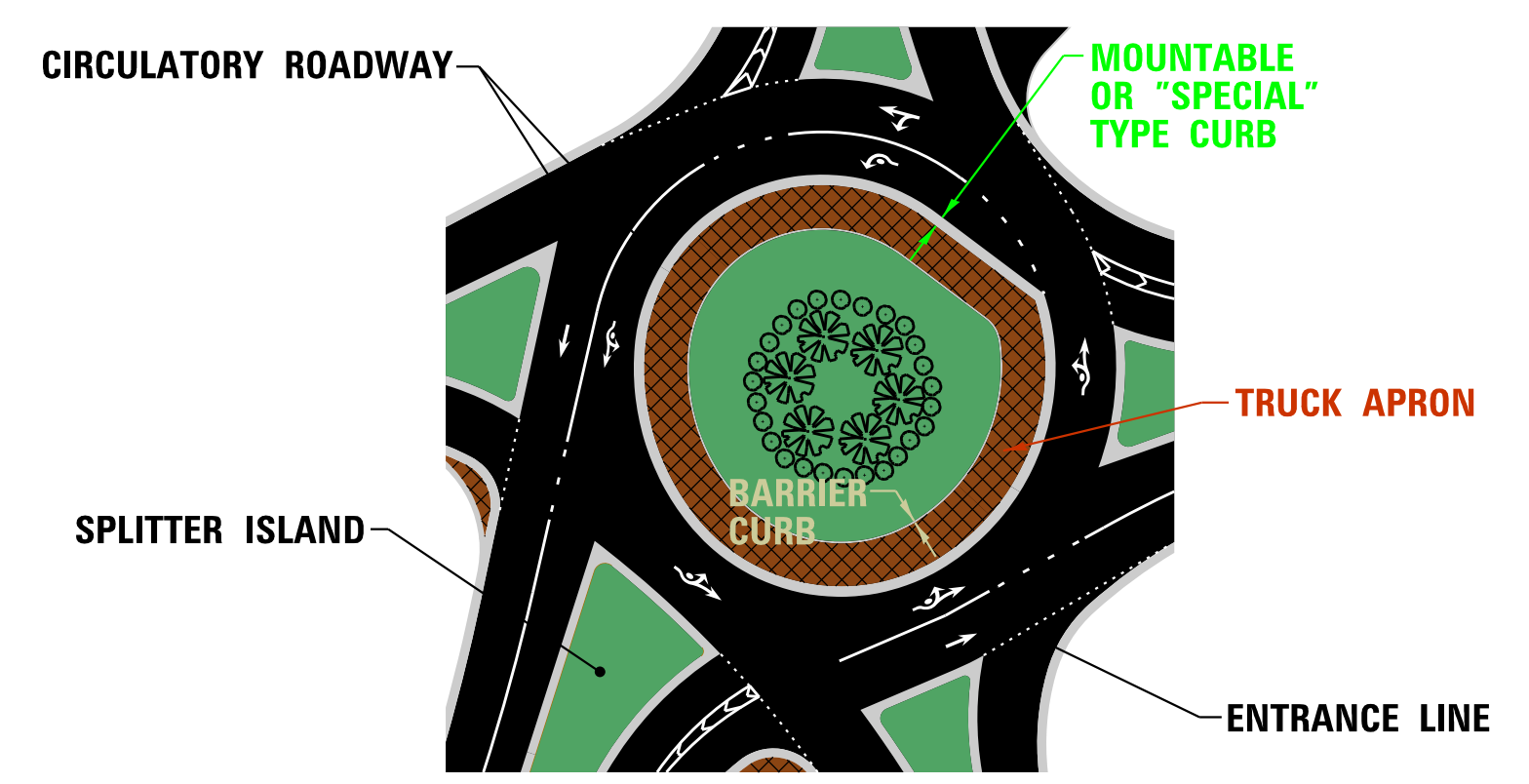


**PROPOSED TYPICAL SECTION
• ILLINOIS ROUTE 58 (EAST LEG)
• ILLINOIS ROUTE 58 (SOUTHWEST LEG)**

PROPOSED TYPICAL SECTION CIRCULATING TRAFFIC

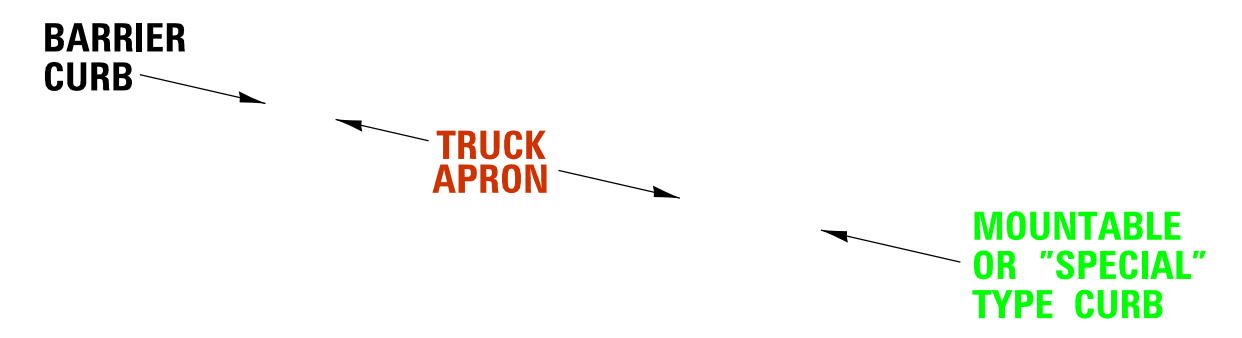


PROPOSED "TRUCK APRON" INFORMATION

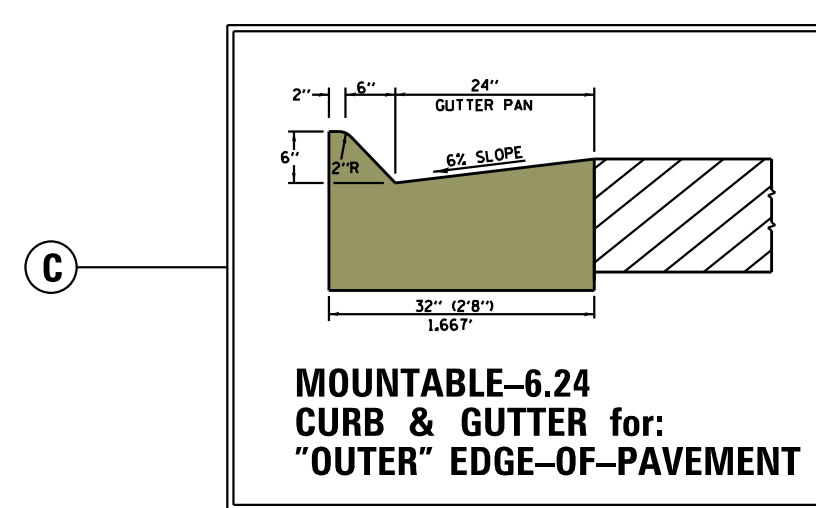
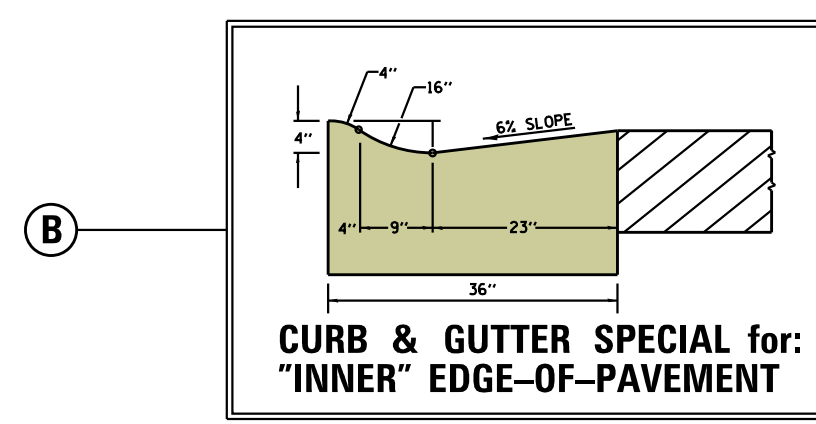
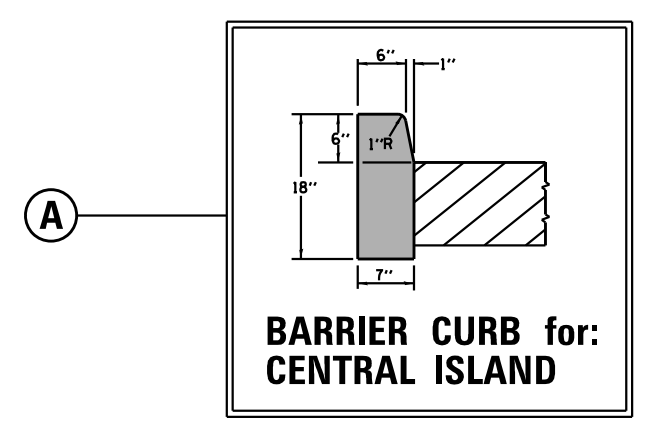


SEE ILLUSTRATION BELOW

NOTE: PASSENGER CARS SHOULD NOT ENTER TRUCK APRON



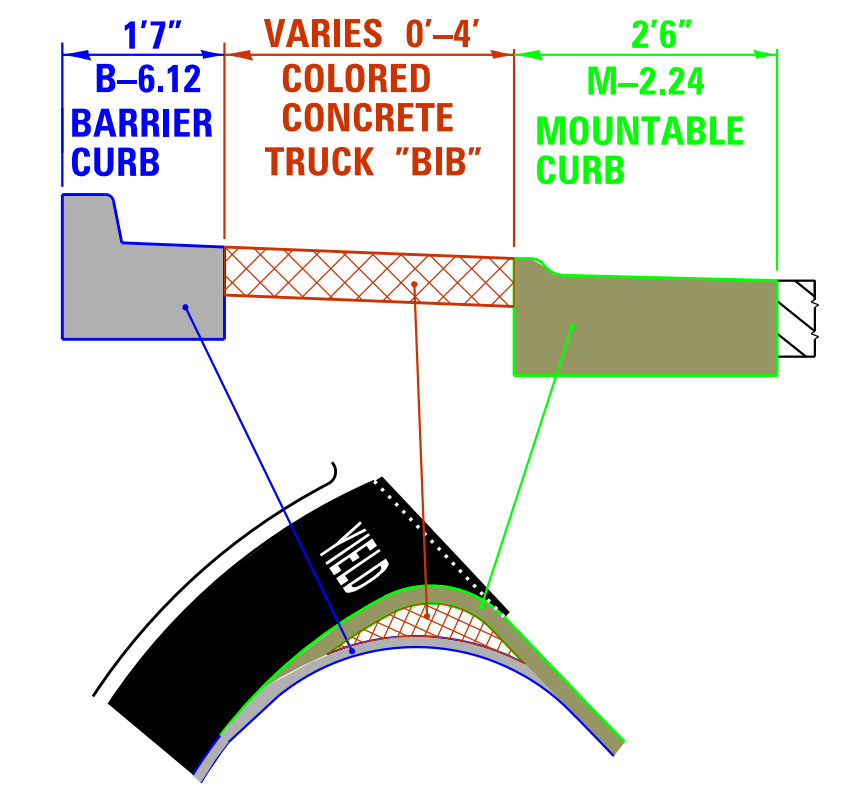
"TRUCK APRON" EXAMPLE



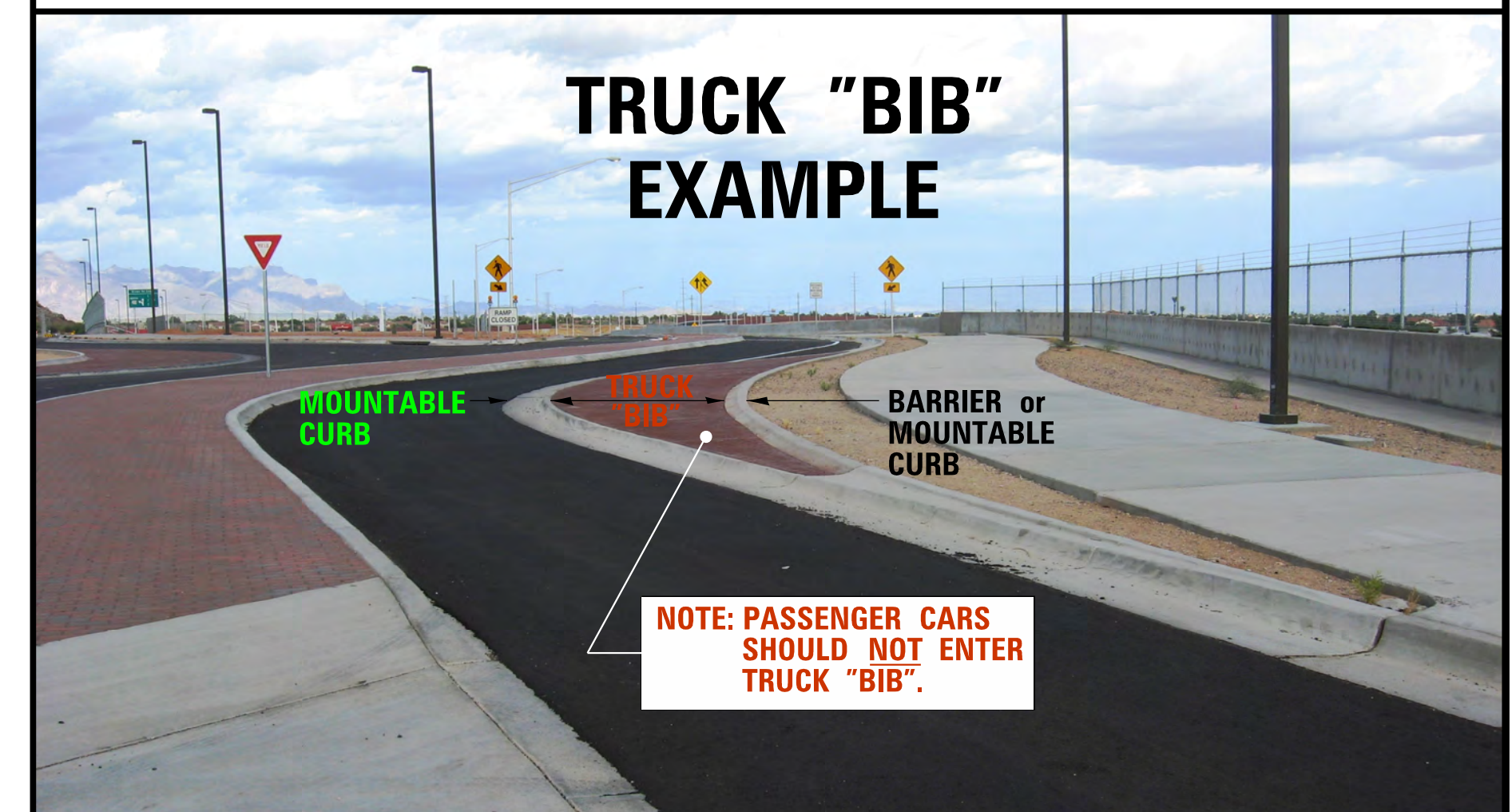
CURB & GUTTER DETAILS

TRUCK "BIB" DETAIL for:

ILLINOIS 58 (SOUTH LEG) at STATE STREET
ILLINOIS 58 (SOUTH LEG) at BROADWAY STREET



SEE ILLUSTRATION BELOW



NOTE: PASSENGER CARS SHOULD NOT ENTER TRUCK "BIB".