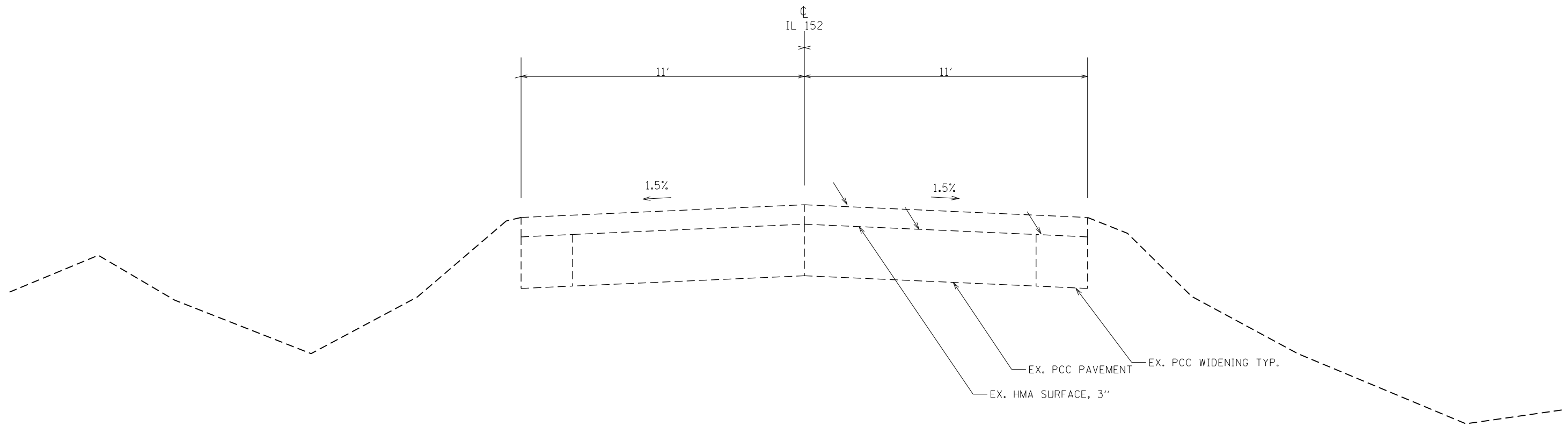


# EXISTING TYPICAL SECTION



MODEL: Default  
 FILE NAME: p:\jld\caw\hendley.com\PWIDOT\Documents\IDOT Offices\District 9\Projects\78744\CADD\Drawings\78744-5\HS-Typ\_Sch\_Tiles\_GeopakElements.dgn

USER NAME = Ben.Dugas	DESIGNED - _____	REVISED - _____
	DRAWN - _____	REVISED - _____
PLOT SCALE = 100.0000 ' / in.	CHECKED - _____	REVISED - _____
PLOT DATE = 10/23/2023	DATE - _____	REVISED - _____

**STATE OF ILLINOIS  
 DEPARTMENT OF TRANSPORTATION**

**TYPICAL SECTIONS**

SCALE: \_\_\_\_\_ SHEET \_\_\_ OF \_\_\_ SHEETS STA. \_\_\_\_\_ TO STA. \_\_\_\_\_

F.A.P. RTE.	SECTION	COUNTY	TOTAL SHEETS	SHEET NO.
865	104(WRS-3,DR-1,SR-1)	PERRY	___	___
ILLINOIS FED. AID PROJECT			CONTRACT NO. 78744	